

VH.153+IN

Lobe knobs

with pointer, Duroplast

METRIC

RoHS

PF

PA

+230 °F
-4 °F

MATERIAL

Phenolic based (PF) Duroplast.

INDEX

Polyamide based (PA) technopolymer, black colour, glossy finish.

STANDARD EXECUTIONS

- **VH.153-B+IN**: brass boss, plain blind hole.
 - **VH.153-A+IN**: black-oxide steel boss, plain blind hole.
- Assembly by means of a transversal grub screw (two for VH.153/74 and /85) according to UNI 5929-85 (grub screws with hexagon socket and cup end). Included in the supply.

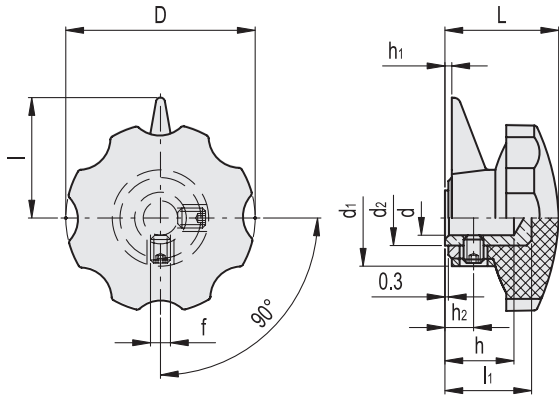


ELESA Original design

Conversion Table

1 mm = 0.039 inch

D			
mm	inch	mm	inch
25	0.98	62	2.44
35	1.38	72	2.83
44	1.73	85	3.35
54	2.13		



METRIC

Code	Description	D	dH9	L	l	l1	d1	d2	h	h1	h2	f	△
73011	VH.153/25 B-4+IN	25	4	18	18	14	19	11	11	1	6	M3	16
73111	VH.153/35 B-6+IN	35	6	22	25	17	23	14	14	2	7	M4	27
73211	VH.153/44 B-6+IN	44	6	26	25	17	23	14	14	2	7	M4	36
73321	VH.153/54 B-6+IN	54	6	32	35	23	28	15	18	2	9	M5	74
73421	VH.153/62 B-8+IN	62	8	35	35	25	28	15	20	2	9	M5	92
73511	VH.153/74 A-8+IN	72	8	46	45	35	37	20	26	3	11	M6	180
73611	VH.153/85 A-8+IN	85	8	49	45	35	37	20	26	3	11	M6	235

MI.204

Indicator knobs

Duroplast

METRIC

RoHS

PF

+230 °F
-4 °F

MATERIAL

Phenolic based (PF) Duroplast, black colour, glossy finish.

INDEX

White line.

STANDARD EXECUTION

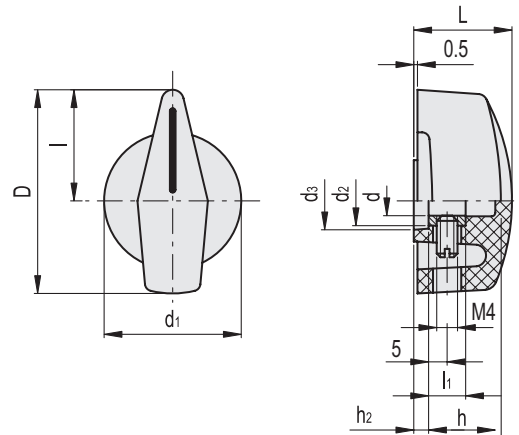
- Brass boss, plain blind hole. Assembly by means of a supplied transversal screw.
- D=45: ISO 7436 (grub screw with screwdriver slotted head and cup end).
 - D=55: ISO 4762 (cylindrical-head screw with hexagon socket and cup end).



Conversion Table

1 mm = 0.039 inch

D	
mm	inch
45	1.77
55	2.16



METRIC

Code	Description	D	d09	L	l	l1	d1	d2	d3	h	h2	△
40201	MI.204/45 B-6	45	6	25	24	10	35	10	15	15	7	19
40202	MI.204/45 B-8	45	8	25	24	10	35	12	12	18	3	19
40301	MI.204/55 B-6	55	6	26	30	10	37	12	12	18	3	28
40302	MI.204/55 B-8	55	8	26	30	10	37	15	15	18	3	30