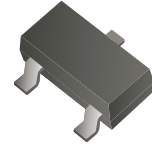


AMMBT222A-HF (NPN)

RoHS Device
Halogen Free

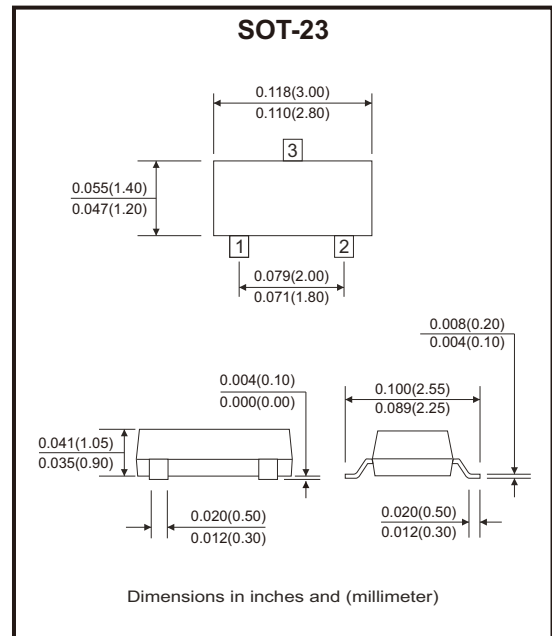


Features

- Epoxy meets UL-94 V-0 flammability rating.
- Moisture sensitivity Level 1.
- High conductance.
- AEC-Q101 Qualified

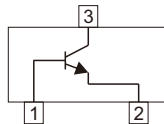
Mechanical data

- Case: SOT-23, molded plastic.
- Terminals: Tin plated leads, solderable per J-STD-002 and JESD22-B102.



Circuit diagram

1. Base
2. Emitter
3. Collector



Maximum Ratings (at Ta=25°C unless otherwise noted)

Parameter	Symbol	Value	Unit
Collector-base voltage	V_{CBO}	75	V
Collector-emitter voltage	V_{CEO}	40	V
Emitter-base voltage	V_{EBO}	6	V
Collector current-continuous	I_C	600	mA
Total device dissipation	P_D	300	mW
Junction temperature range	T_J	-55 to +150	°C
Storage temperature range	T_{STG}	-55 to +150	°C

Electrical Characteristics (at Ta=25°C unless otherwise noted)

Parameter	Conditions	Symbol	Min	Max	Unit
Collector-base breakdown voltage	$I_C = 10\mu A, I_E = 0$	$V_{(BR)CBO}$	75		V
Collector-emitter breakdown voltage	$I_C = 10mA, I_B = 0$	$V_{(BR)CEO}$	40		V
Emitter-base breakdown voltage	$I_E = 10\mu A, I_C = 0$	$V_{(BR)EBO}$	6		V
Collector cut-off current	$V_{CE} = 60V, V_{BE} = 3V$	I_{CEX}		10	nA
Base cut-off current	$V_{CE} = 60V, I_C = 0$	I_{CBO}		100	nA
Emitter cut-off current	$V_{EB} = 3V, I_C = 0$	I_{EBO}		100	nA
DC current gain	$V_{CE} = 10V, I_C = 0.1mA$	$h_{FE(1)}$	35		
	$V_{CE} = 10V, I_C = 1mA$	$h_{FE(2)}$	50		
	$V_{CE} = 10V, I_C = 10mA$	$h_{FE(3)}$	75		
	$V_{CE} = 10V, I_C = 150mA$	$h_{FE(4)}$	100	300	
	$V_{CE} = 10V, I_C = 500mA$	$h_{FE(5)}$	40		
	$V_{CE} = 1V, I_C = 150mA$	$h_{FE(6)}$	50		
Collector-emitter saturation voltage	$I_C = 150mA, I_B = 15mA$ $I_C = 500mA, I_B = 50mA$	$V_{CE(sat)}$		0.3 1.0	V
Base-emitter saturation voltage	$I_C = 150mA, I_B = 15mA$ $I_C = 500mA, I_B = 50mA$	$V_{BE(sat)}$	0.6	1.2 2.0	V
Transition frequency	$V_{CE} = 20V, I_C = 20mA, f = 100MHz$	f_T	300		MHz
Delay time	$V_{CC} = 30V, V_{BE(off)} = -0.5V,$	t_d		10	ns
Rise time	$I_C = 150mA, I_{B1} = 15mA$	t_r		25	ns
Storage time	$V_{CC} = 30V, I_C = 150mA, I_{B1} = I_{B2} = 15mA$	t_s		225	ns
Fall time		t_f		60	ns

Rating and Characteristic Curves (AMMBT2222A-HF)

Fig.1 - Static Characteristic

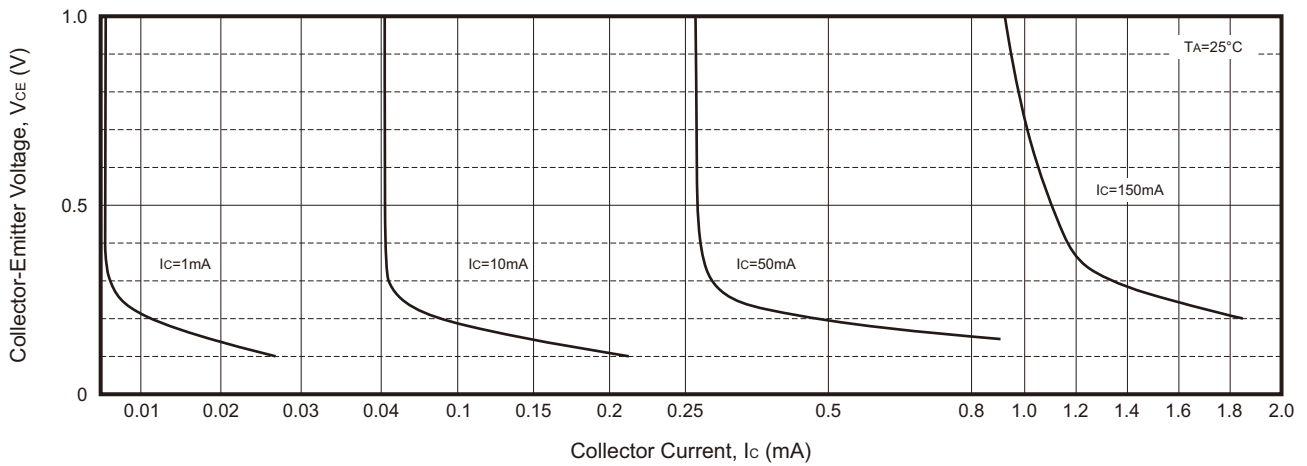


Fig.2 - $H_{FE} - I_C$

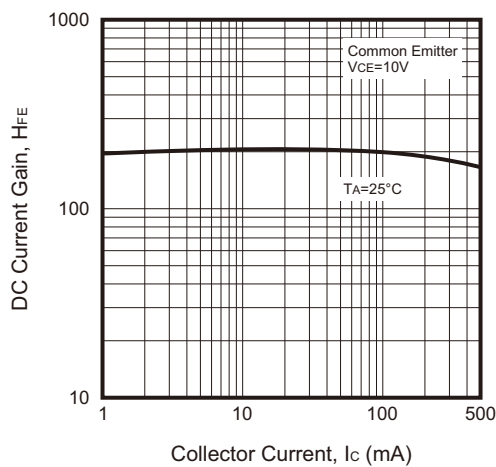


Fig.3 - $V_{BEsat} - I_C$

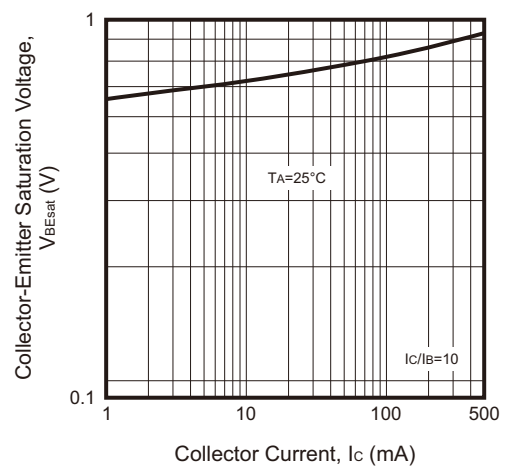
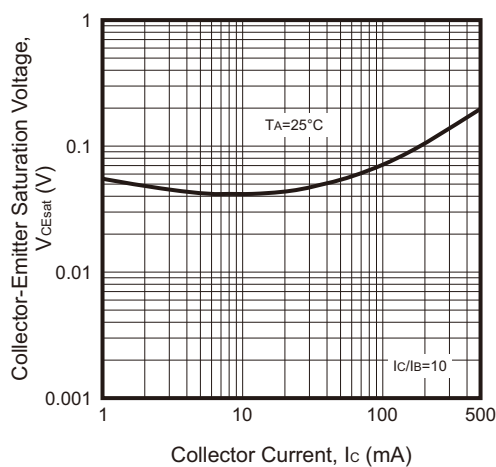


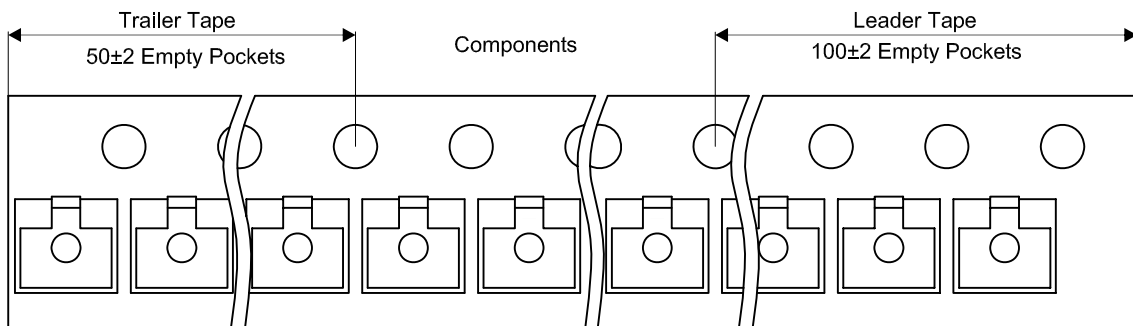
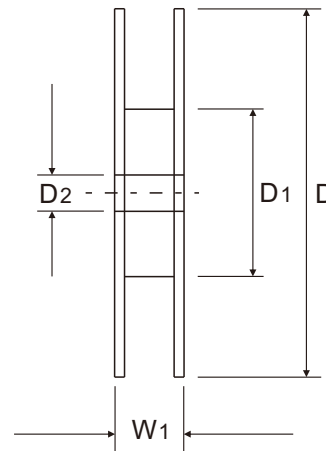
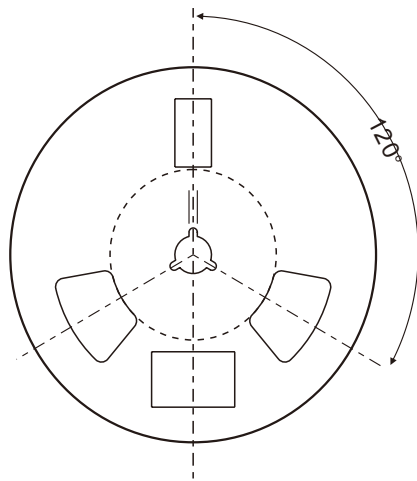
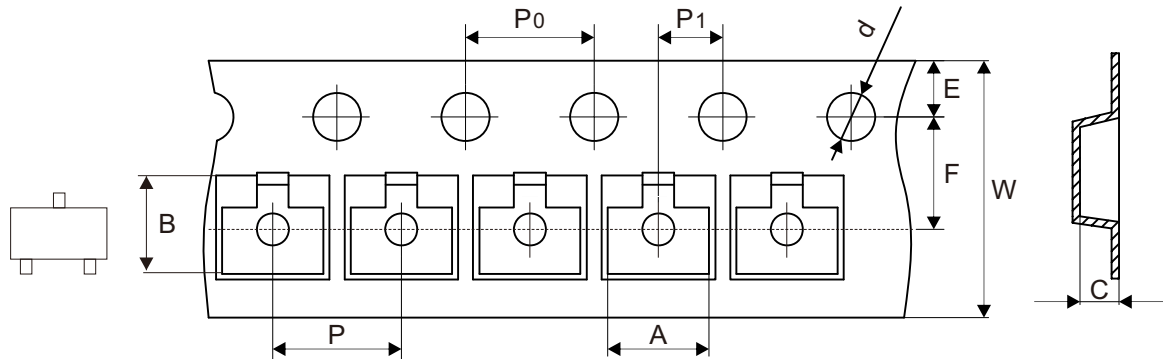
Fig.4 - $V_{CEsat} - I_C$



Company reserves the right to improve product design, functions and reliability without notice.

REV:A

Reel Taping Specification



SOT-23	SYMBOL	A	B	C	d	D	D1	D2
	(mm)	3.15 ± 0.10	2.77 ± 0.10	1.22 ± 0.10	1.50 + 0.10 - 0.00	178.00 ± 1.00	54.60 ± 1.00	13.30 ± 1.00
	(inch)	0.124 ± 0.004	0.109 ± 0.004	0.048 ± 0.004	0.059 + 0.004 - 0.000	7.008 ± 0.039	2.150 ± 0.039	0.524 ± 0.039

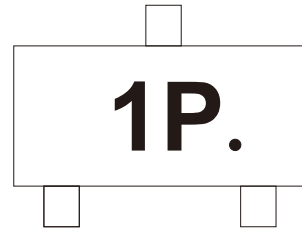
SOT-23	SYMBOL	E	F	P	P0	P1	W	W1
	(mm)	1.75 ± 0.10	3.50 ± 0.05	4.00 ± 0.10	4.00 ± 0.10	2.00 ± 0.05	8.00 + 0.30 - 0.10	11.10 ± 0.20
	(inch)	0.069 ± 0.004	0.138 ± 0.002	0.157 ± 0.004	0.157 ± 0.004	0.079 ± 0.002	0.315 + 0.012 - 0.004	0.437 ± 0.008

Company reserves the right to improve product design, functions and reliability without notice.

REV:A

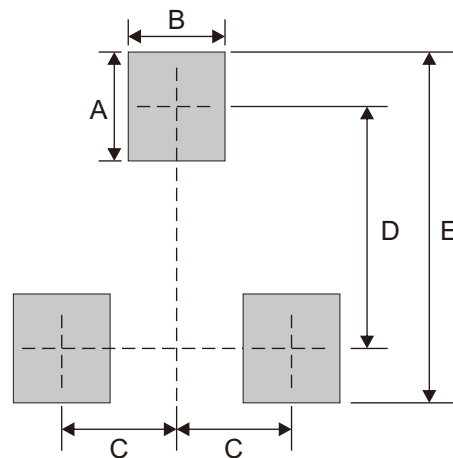
Marking Code

Part Number	Marking Code
AMMBT2222A-HF	1P.



Suggested PAD Layout

SIZE	SOT-23	
	(mm)	(inch)
A	0.90	0.035
B	0.80	0.031
C	0.95	0.037
D	2.00	0.079
E	2.90	0.114



Note: 1. The pad layout is for reference purposes only.

Standard Packaging

Case Type	REEL PACK	
	REEL (pcs)	Reel Size (inch)
SOT-23	3,000	7