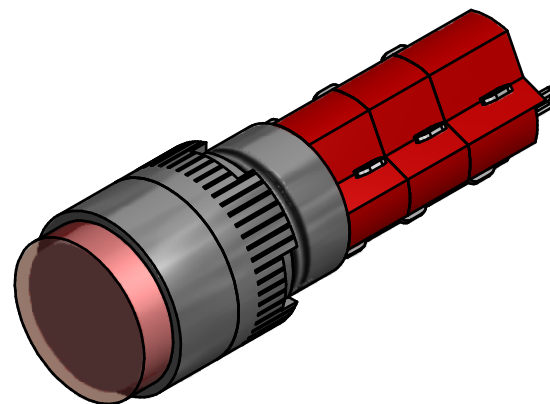
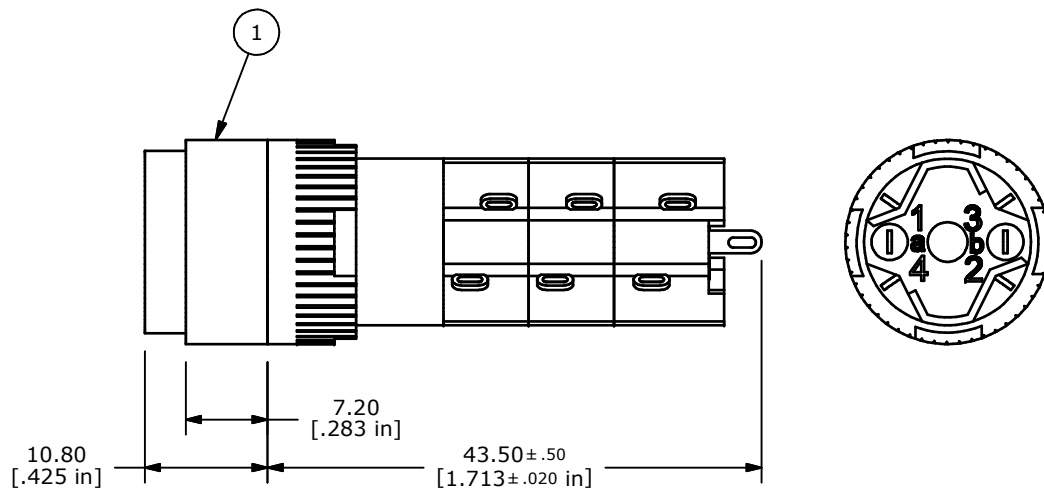
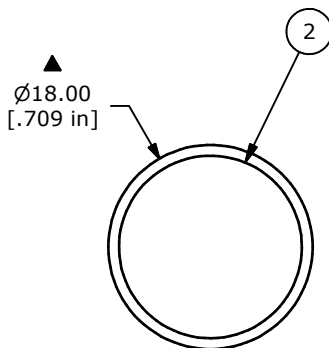


3PDT NO LAMP
CONTACT CONFIGURATION



PANEL MOUNTING



NOTE:

1. ALL DIMENSIONS IN MM [INCH].
2. GENERAL TOLERANCE: X.X=±0.4
X.XX=±0.25
3. TERMINAL NUMBERS FOR REF ONLY.
- ▲4. CONTACT RATING: 5A @ 250VAC,
8A @ 125VAC,
6A @ 24VDC
5. ELECTRICAL LIFE: 50,000 OPERATIONS
6. INSULATION RESISTANCE: 1,000 MEGA-OHM MIN.
7. CONTACT MATERIAL: SILVER PLATED COPPER ALLOY
- ▲8. ACTUATION FORCE: 300g / POLE
9. OPERATING TEMP.: -25°C to +55°C
10. ▲ DENOTES CRITICAL PARAMETER.
11. 2002/95/EC (ROHS) COMPLIANT

| PARTS LIST | | | |
|------------|-----|-------------|--|
| ITEM | QTY | PART NUMBER | DESCRIPTION |
| 1 | 1 | F040017 | D16EER13 |
| 2 | 1 | F050104 | 50-001-04 ROUND CONCAVE TRANSPARENT RED LENS |



TITLE D16EER130RED

| | | | | |
|-----|--------|-------------------------|----------|-----|
| A | 20887 | RELEASED FOR PRODUCTION | 11/21/12 | EBP |
| REV | PCR NO | DESCRIPTION | DATE | BY |

| | | | | |
|-------|------------|-----|---------|-----|
| SCALE | DATE | DR | DWG | REV |
| | 11/21/2012 | EBP | XF0261P | A |

THE INFORMATION CONTAINED IN THIS DOCUMENT IS PROPRIETARY TO E-SWITCH AND IS NOT TO BE COPIED OR TRANSFERRED