

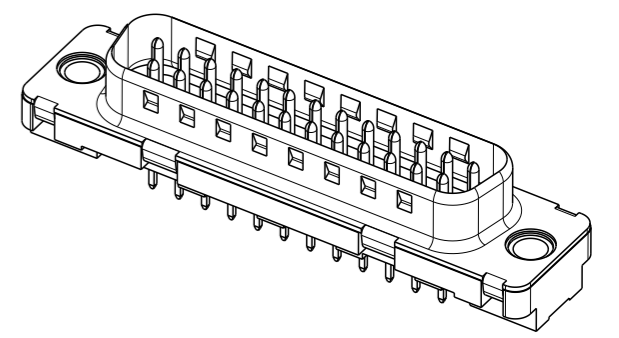
SHELL	A±0.38	B±0.12	C±0.10	^{+0.25} D -0	PART NUMBER	PART NUMBER
09	30.81	24.99	16.96	16.79	D09P24A4PA3FLF	D09P24A6PA3FLF
15	39.14	33.32	25.18	25.12	D15P24A4PA3FLF	D15P24A6PA3FLF
25	53.03	47.04	39.12	38.84	D25P24A4PA3FLF	D25P24A6PA3FLF
37	69.32	63.50	55.68	55.30	D37P24A4PA3FLF	D37P24A6PA3FLF
					200 MATINGS	500 MATINGS

TECHNICAL CHARACTERISTICS

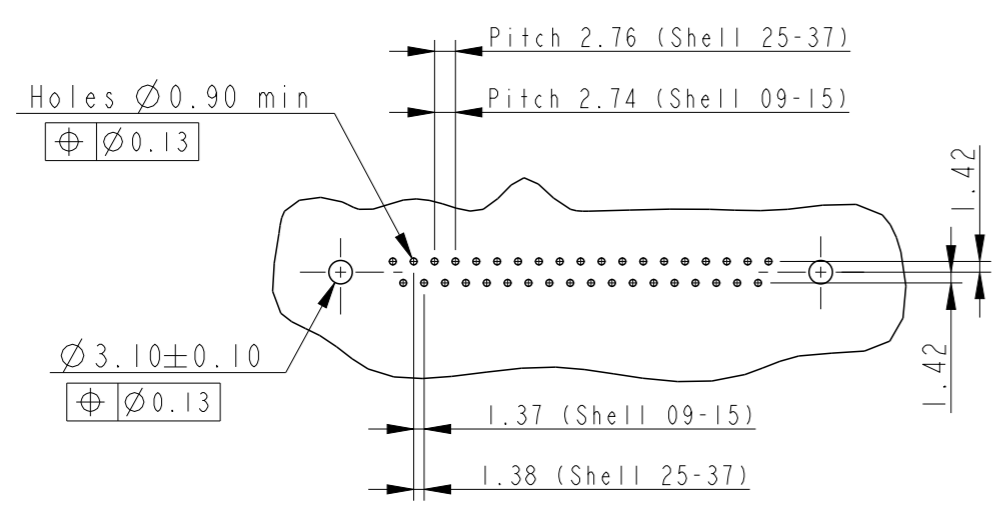
- SHELL: STEEL Ni PLATED
- INSULATOR: SELF-EXTINGUISHING THERMOPLASTIC UL94-V0
- CONTACTS: COPPER ALLOY
GXT/GOLD OVER NICKEL ON MATING AREA
TIN OVER NICKEL ON TERMINATION

ELECTRICAL CHARACTERISTICS:

- MAX CURRENT RATING : 5A
- TEST VOLTAGE: 1000V
- RATED VOLTAGE: 300V
- CONTACT RESISTANCE: <10mΩ
- SHELL RESISTANCE: <5mΩ
- INSULATION RESISTANCE: >5000MΩ



PCB DIMENSIONS (After Plating)
(Thickness 1.6 ± 0.20mm)



FOR ADDITIONAL INFORMATION SEE DRAWING C01-8646-0000

www.fciconnect.com		surface - ✓	tolerance std -	projection	mm
TOLERANCES UNLESS OTHERWISE SPECIFIED					
Dr	NIRMAL G	2010-06-24	ANGULAR	0.X ±0.3	size A3
Eng	NIRMAL G	2010-06-24	LINEAR	0.XX ±0.10	Scale 2:1
Chr	NIRMAL G	2010-06-24	0° ±2°	0.XXX ±0.050	ECN 110-0139
Appr	SUDHIR V	2010-06-24	Product family	SUB DELTA D PIP	Spec ref -
FCi			DELTA D MALE CONNECTOR		dwg no C-DD-0140
			STRAIGHT SOLDER, SHELL Ni PLATED		Rev. A
			catalog no	SEE TABLE	CUSTOMER COPY sheet 1 of 1

rev	ecn no	dr	date
A	110-0139	NG	2010-06-24
-	-	-	-
-	-	-	-
-	-	-	-
-	-	-	-



Copyright FCI.