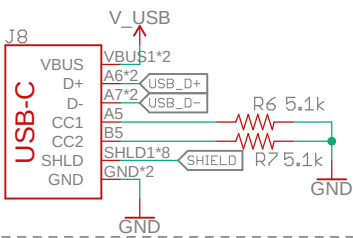
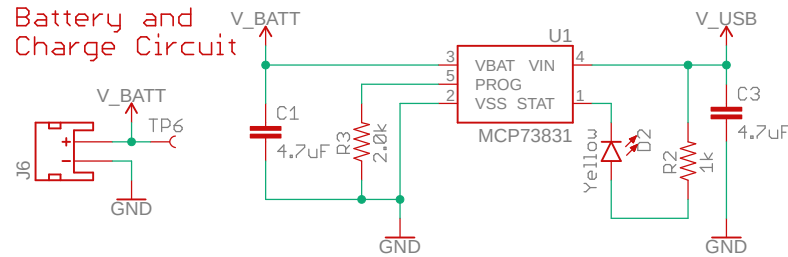


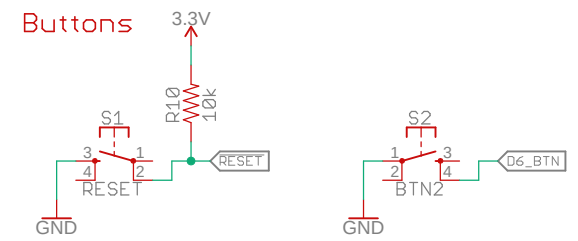
USB Input



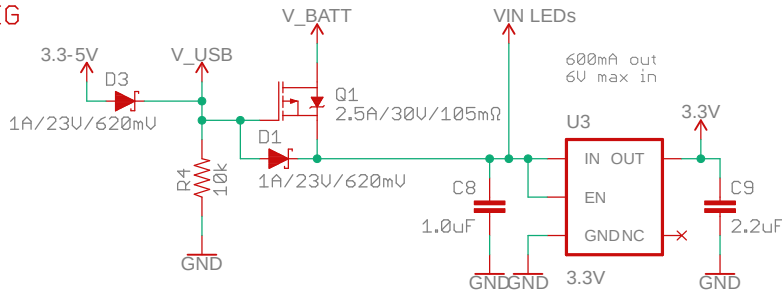
Battery and Charge Circuit



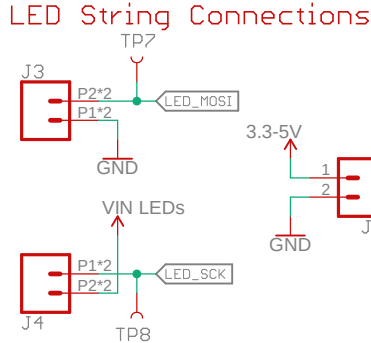
Buttons



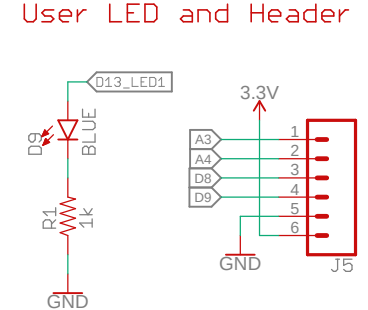
UREG



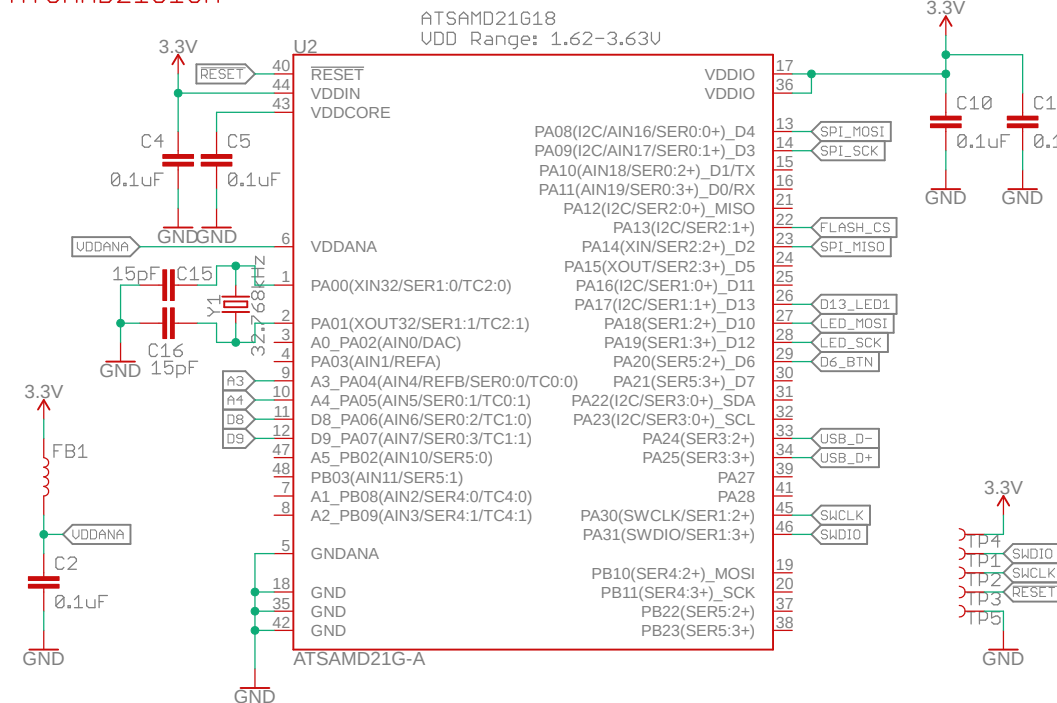
APA102 LED String Connections



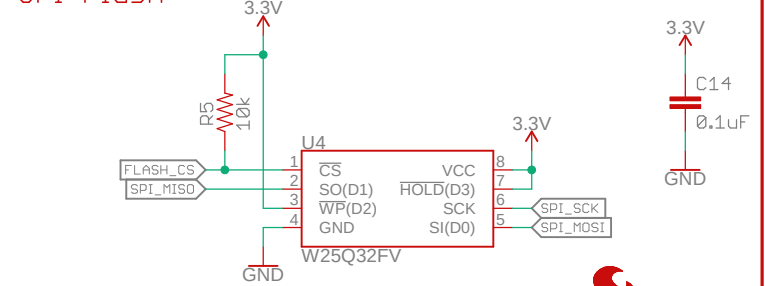
User LED and Header



ATSAMD21G18A



SPI Flash



open hardware

sparkfun

Released under the Creative Commons Attribution Share-Alike 4.0 License
<https://creativecommons.org/licenses/by-sa/4.0/>

TITLE: LumiDrive

Design by: Mike Hord
 Revised By: Elias Santistevan

REV: v10

Date: 12/6/2018 10:57 AM

Sheet: 1/1