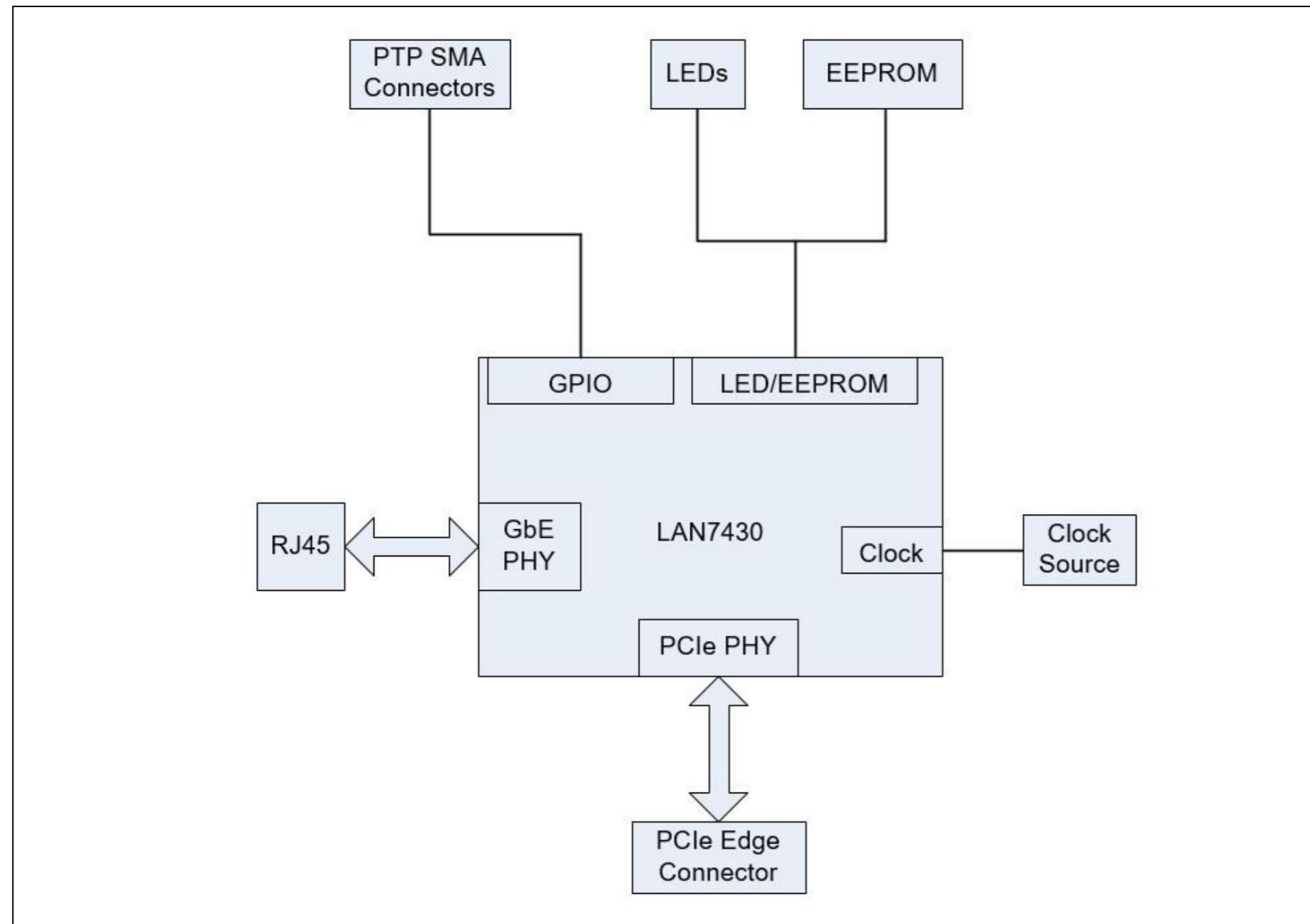


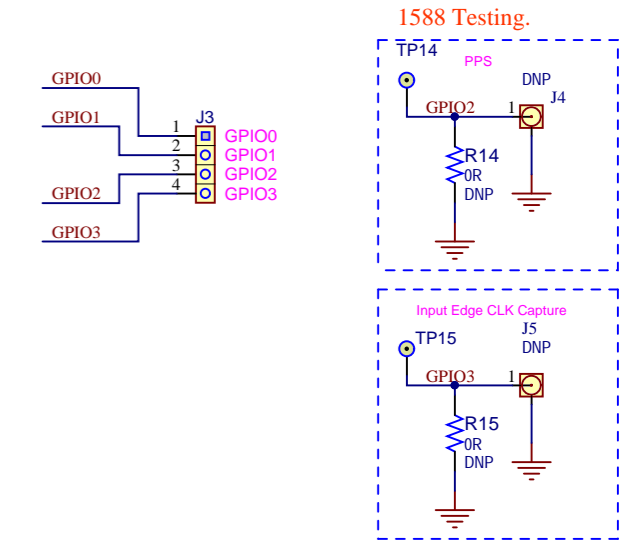
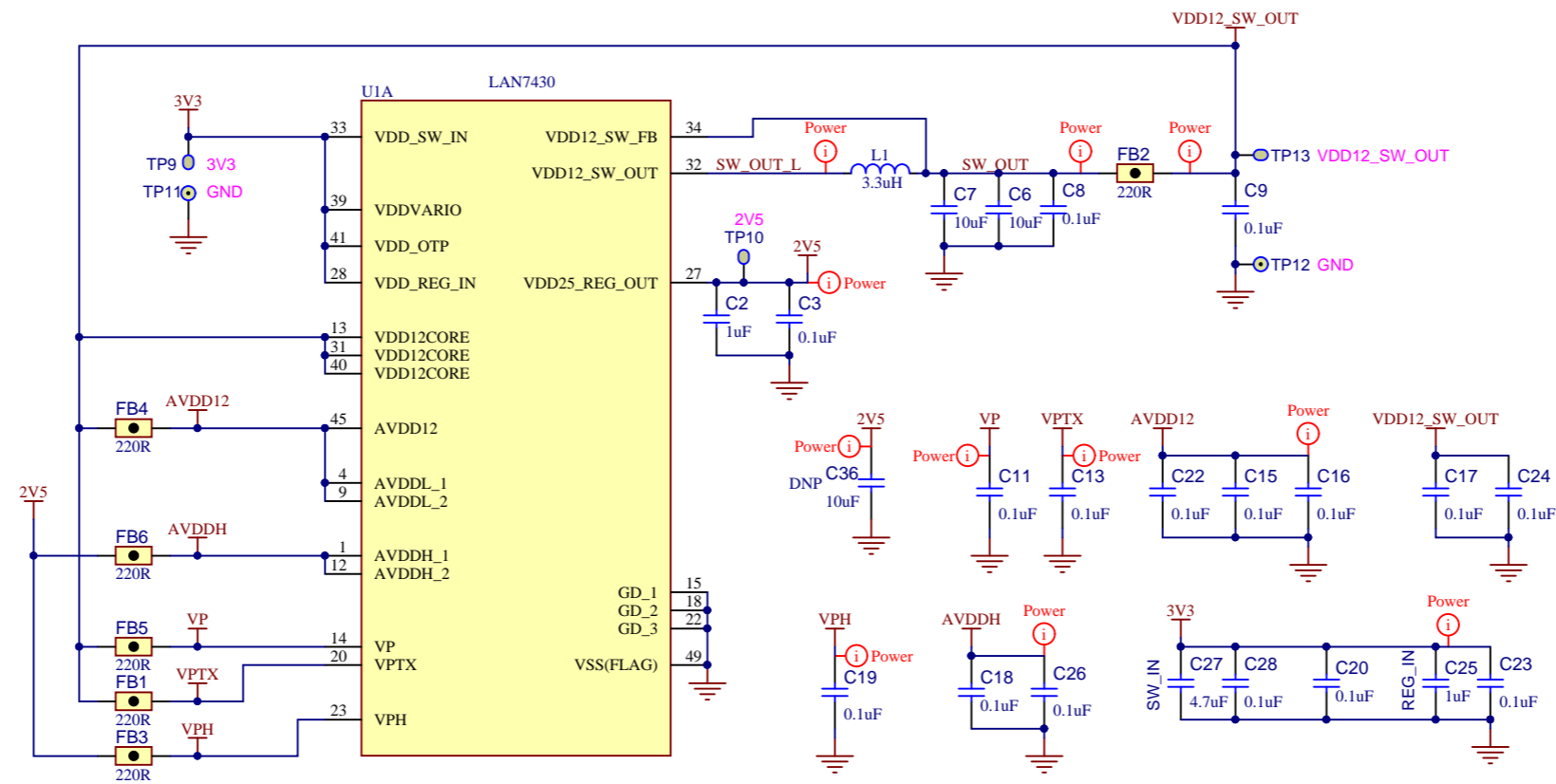
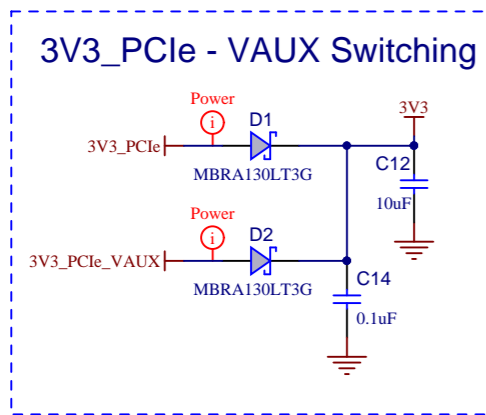
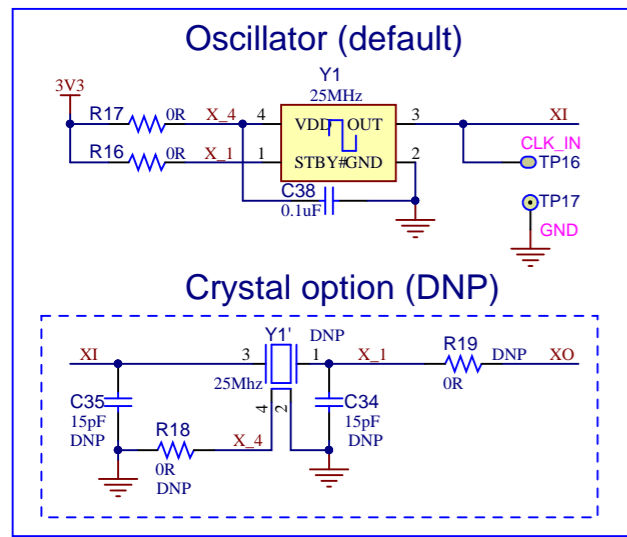
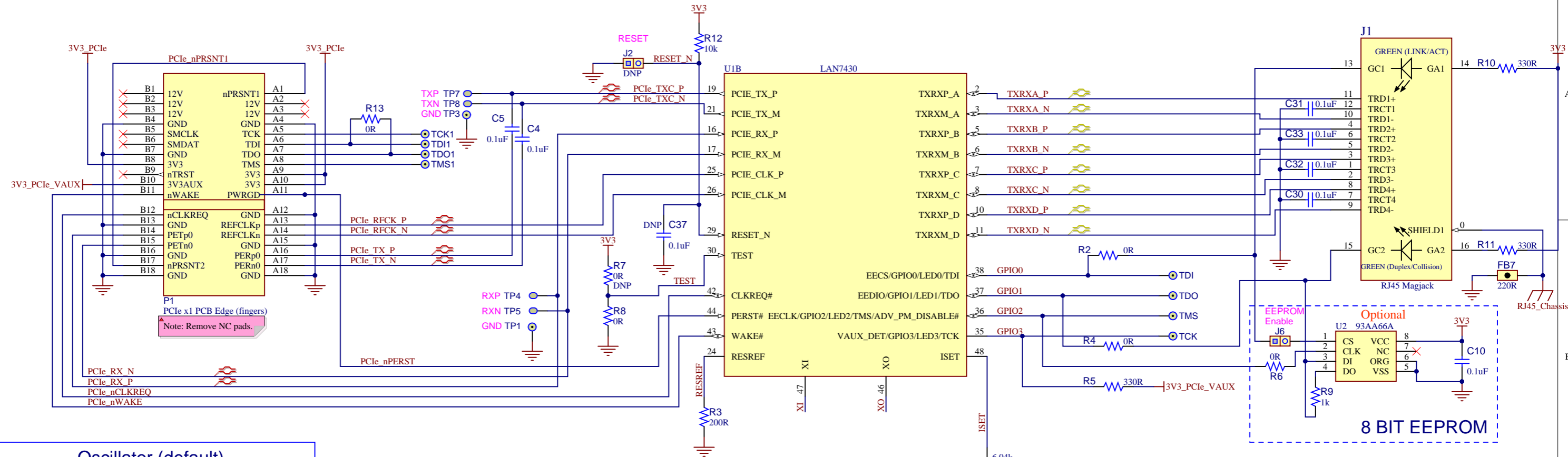
LAN7430 Evaluation Board

Table of Contents	
Sheet	Description
1	Title Page
2	LAN7430

Revision History			
Revision	Date	Revision Summary	Author
B	9/20/2018	Release Add IEEE 1588 PTP Support	P. Pandya



Notes	



MICROCHIP Microchip Technology, Inc. USB/Network Group - UNG www.Microchip.com

LAN7430

Description: **EVB-LAN7430**

Page Title: **LAN7430**

Project Name: **EVB-LAN7430** PN: **LAN7430**

Size: B | Date: 9/20/2018 | Designer: Parthiv Pandya | Sheet 2 of 2 | Rev B

Designed with **Altium**