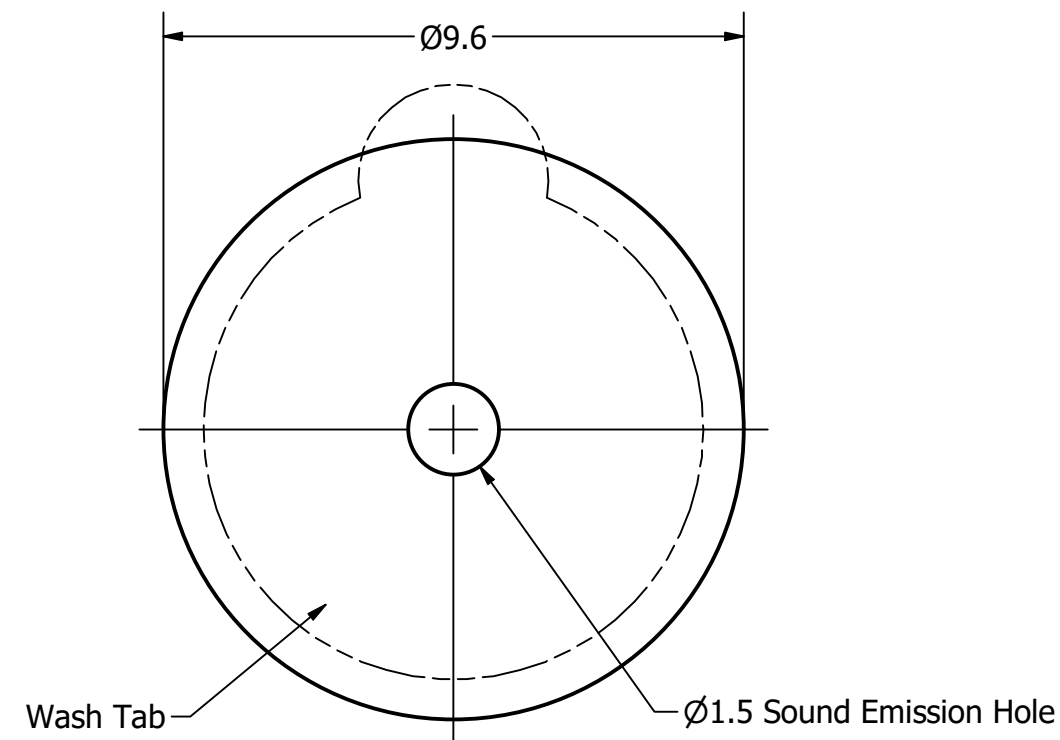
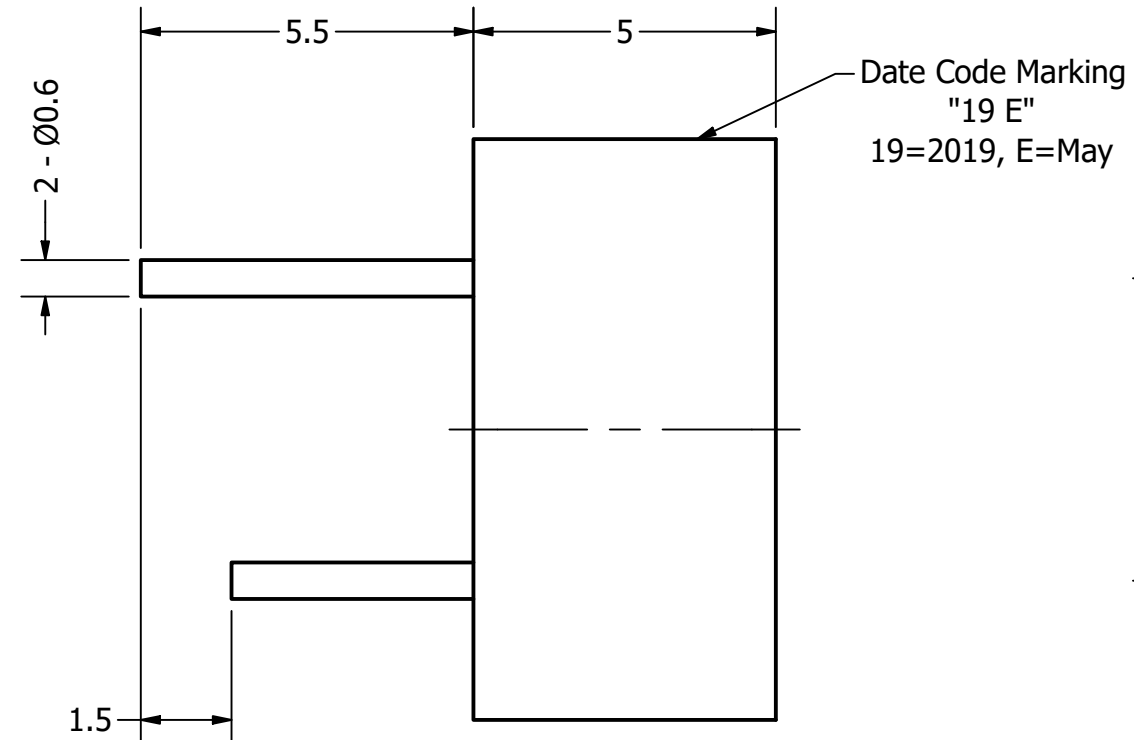


Part Number:	IE092505-1	
DRAWN	CJ	5/31/2019
CHECKED	C.H.	6/4/2019
Description:	Electro-Mechanical Indicator	
APPROVED	C.E.	6/4/2019
This document contains data proprietary to DB Unlimited. Any use or reproduction, in any form, without prior written permission of DB Unlimited is prohibited. All terms and conditions can be found at www.dbunlimitedco.com		

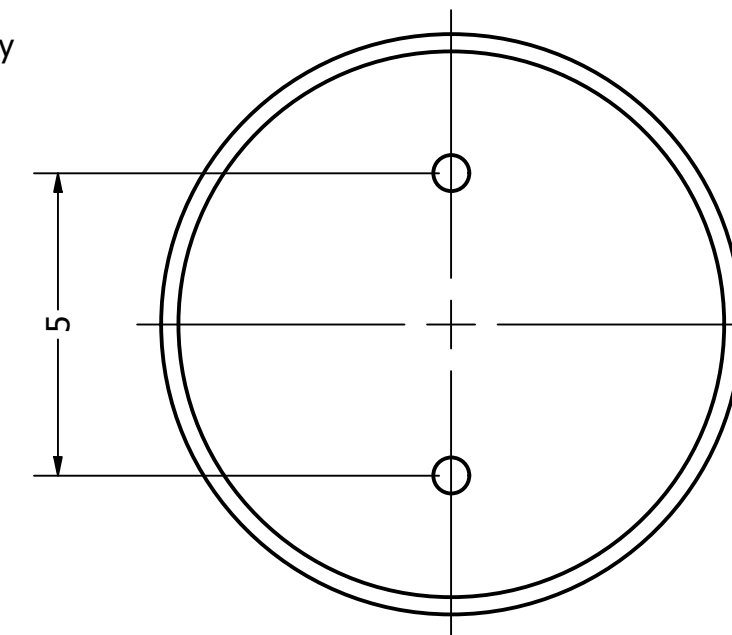
Top View



Side View



Bottom View



Items	Specifications	Conditions	REVISION HISTORY			
Min. Sound Pressure Level	80	dB (@ 10cm)	REV	DESCRIPTION	DATE	APPROVED
Tone	Single			Released from Engineering	10/21/2013	J.S.
Resonant Frequency	2,700	Hz	1	Updated drawing template, current, SPL, frequency, temps, housing material	6/4/2019	C.E.
Rated Voltage	5	V	NOTES			
Voltage Range	3 ~ 7	V	1) All dimensions are in mm unless otherwise noted			
Max. Rated Current	30	mA	2) All tolerances are ± 0.5 mm unless otherwise noted			
Storage Temperature	-20 ~ +70	°C	3) All parts meet RoHS			
Operating Temperature	-20 ~ +70	°C	4) Subject to change or redrawn without notice			
Connection Method	PC Pin					
Mount Type	Thru-Hole					
Housing Material	PBT					
Weight	1	g				