

DO NOT SCALE FROM THIS PRINT

TABLE 2

SERIES	"A"	"B"	"C"	MMCX7-J-P-X-RA-THX-SHL	GRF7-J-P-X-RA-THX-SKT
-TH1	2.80 [0.110]	7.41 [0.292]	2.80 [0.110]	MMCX7-J-P-X-RA-TH1-SHL	GRF7-J-P-X-RA-TH1-SKT
-TH2	2.20 [0.087]	6.81 [0.268]	2.20 [0.087]	MMCX7-J-P-X-RA-TH2-SHL	GRF7-J-P-X-RA-TH2-SKT
-TH3	1.60 [0.063]	6.21 [0.244]	1.60 [0.063]	MMCX7-J-P-X-RA-TH3-SHL	GRF7-J-P-X-RA-TH3-SKT

TABLE 1

ITEM	COMPONENT	-HF	-GF
1	SHELL (SEE TABLE 2)	MMCX7-J-P-X-RA-THX-SHL	
2	SOCKET (SEE TABLE 2)	GRF7-J-P-H-RA-TH1-SKT	GRF7-J-P-G-RA-TH1-SKT
3	INSULATOR 1	GRF7-J-P-RA-INS-001	
4	INSULATOR 2	GRF7-J-P-RA-INS-003	
5	C-RING	MMCX7-CRNG-001-X	

LEAD STYLE
 -1: .093 BOARD
 -2: .062 BOARD
 -3: .039 BOARD (SEE TABLE 3)

TERMINATION
 -TH: THROUGH HOLE

ORIENTATION
 -RA: RIGHT ANGLE

PLATING SPECIFICATION
 -HF: 30µ" GOLD CENTER CONTACT, 3µ" GOLD OUTER CONTACT
 -GF: 10µ" GOLD CENTER CONTACT, 3µ" GOLD OUTER CONTACT, (SEE TABLE 1)

GENDER
 -J: JACK

TYPE
 -P: PCB

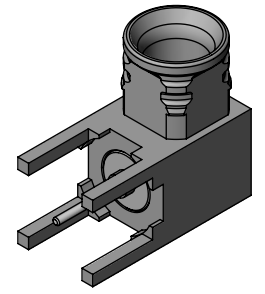
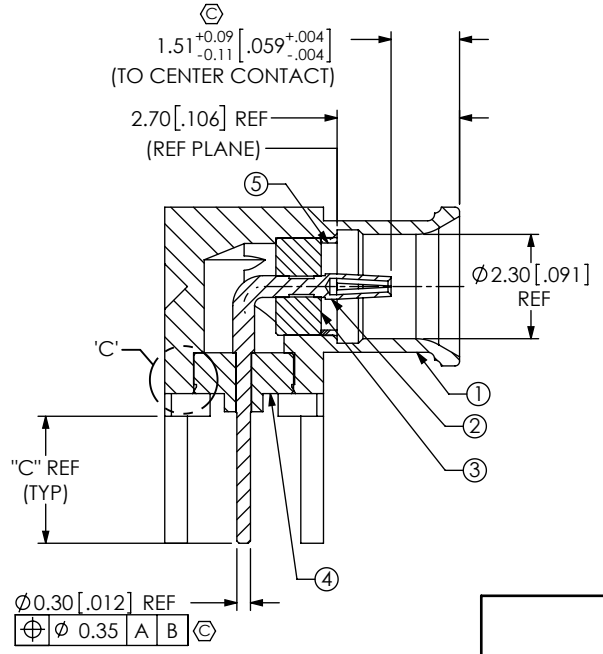
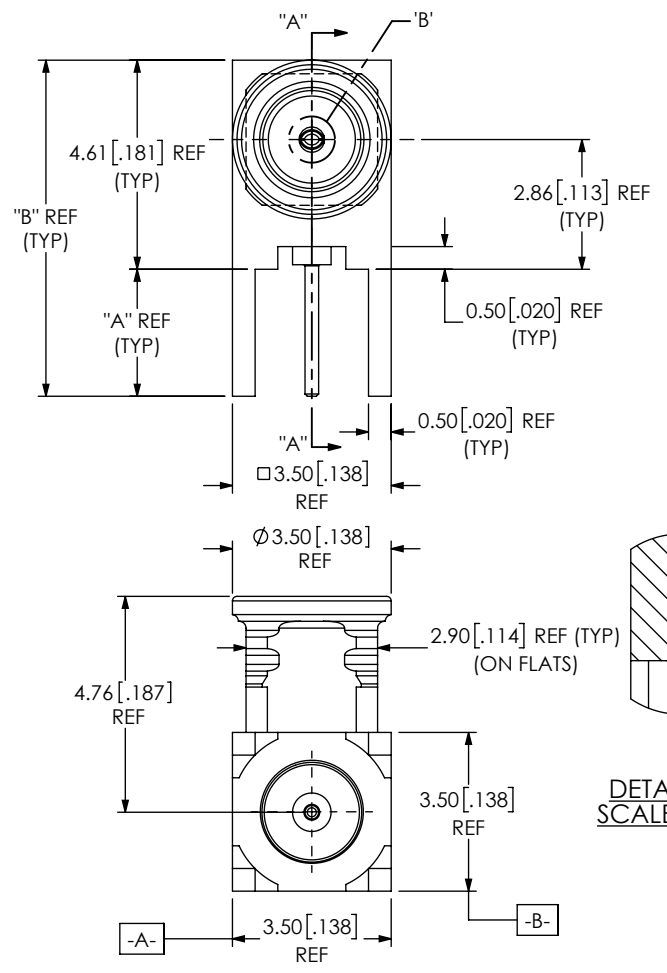
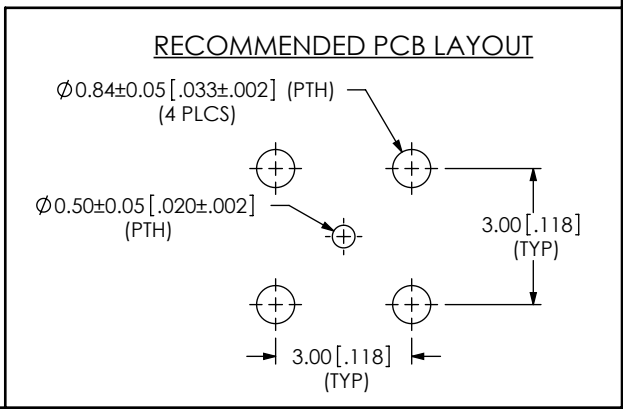
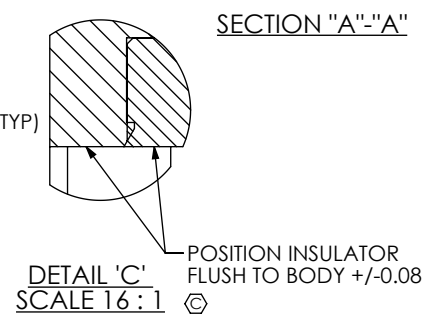


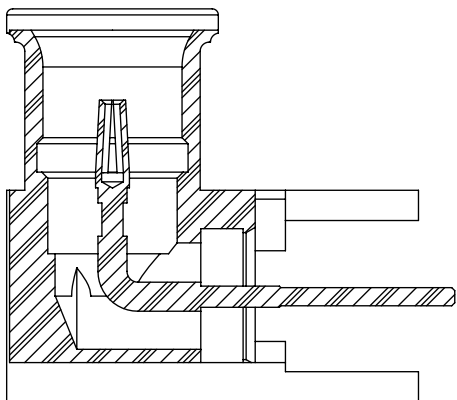
FIG 1
 MMCX7-J-P-XX-RA-TH1-ASM SHOWN
 -TH2 & -TH3 IS SIMILAR



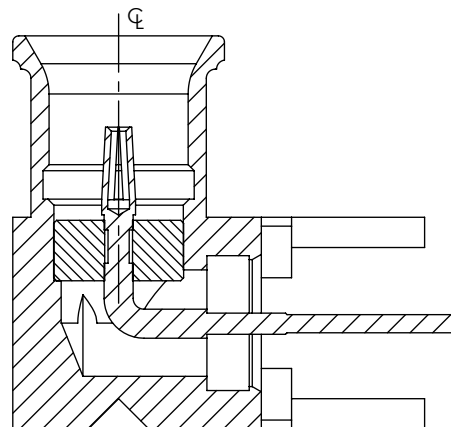
NOTES:

- ⊕ REPRESENTS A CRITICAL DIMENSION.
- PRODUCT TO BE PACKAGED PER PACKING STANDARD CO-RF-WI-3040-M. TRAY: TY-SMA001-1 COVER: TY-SMA001-2 100 PARTS PER TRAY (1 PARTS PER POCKET)

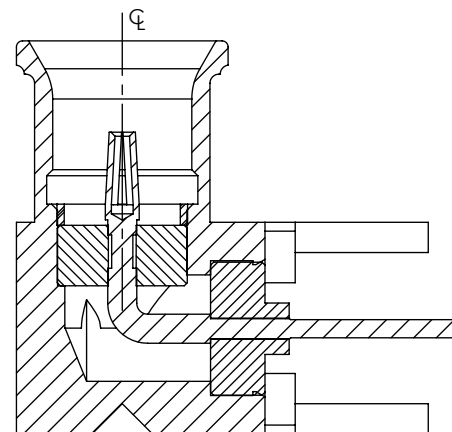
<p>UNLESS OTHERWISE SPECIFIED, DIMENSIONS ARE IN MILLIMETERS [INCHES]. TOLERANCES ARE:</p> <p>DECIMALS ANGLES X.X: ±0.3 [.01] 5° X.XX: ±0.13 [.005] X.XXX: ±0.051 [.0020]</p>	<p>PROPRIETARY NOTE</p> <p>THIS DOCUMENT CONTAINS CONFIDENTIAL AND PROPRIETARY INFORMATION AND ALL DESIGN, MANUFACTURING, REPRODUCTION, USE, PATENT RIGHTS AND SALES RIGHTS ARE EXPRESSLY RESERVED BY SAMTEC, INC. THIS DOCUMENT SHALL NOT BE DISCLOSED, IN WHOLE OR PART, TO ANY UNAUTHORIZED PERSON OR ENTITY NOR REPRODUCED, TRANSFERRED OR INCORPORATED IN ANY OTHER PROJECT IN ANY MANNER WITHOUT THE EXPRESS WRITTEN CONSENT OF SAMTEC, INC.</p>	<p>samtec</p> <p>520 PARK EAST BLVD, NEW ALBANY, IN 47150 PHONE: 812-944-6733 FAX: 812-948-5047 e-Mail: info@SAMTEC.com code: 55322</p>



IN PROCESS 1
INSERT SOCKET INTO SHELL



IN PROCESS 2
PRESS INSULATOR 1 INTO SHELL



IN PROCESS 3
PRESS C-RING & INSULATOR 2
INTO SHELL

• PROPRIETARY NOTE •
THIS DOCUMENT CONTAINS CONFIDENTIAL AND PROPRIETARY INFORMATION AND ALL DESIGN, MANUFACTURING, REPRODUCTION, USE, PATENT RIGHTS AND SALES RIGHTS ARE EXPRESSLY RESERVED BY SAMTEC, INC. THIS DOCUMENT SHALL NOT BE DISCLOSED, IN WHOLE OR PART, TO ANY UNAUTHORIZED PERSON OR ENTITY NOR REPRODUCED, TRANSFERRED OR INCORPORATED IN ANY OTHER PROJECT IN ANY MANNER WITHOUT THE EXPRESS WRITTEN CONSENT OF SAMTEC, INC.

DO NOT SCALE DRAWING

SHEET SCALE: 8:1

samtec

520 PARK EAST BLVD, NEW ALBANY, IN 47150
PHONE: 812-944-6733 FAX: 812-948-5047
e-Mail: info@SAMTEC.com code: 55322

DESCRIPTION:
MMCX RIGHT ANGLE THROUGH HOLE, JACK- 75 OHM

DWG. NO.
MMCX7-J-P-XX-RA-THX

BY: ALVINW 10/08/2011 SHEET 2 OF 2