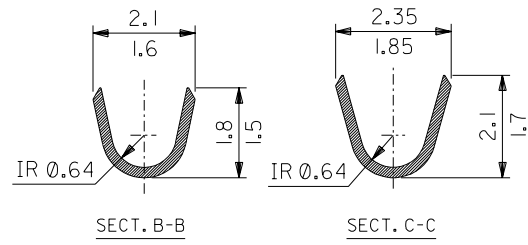
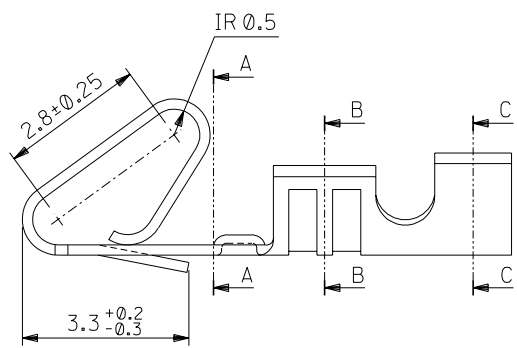
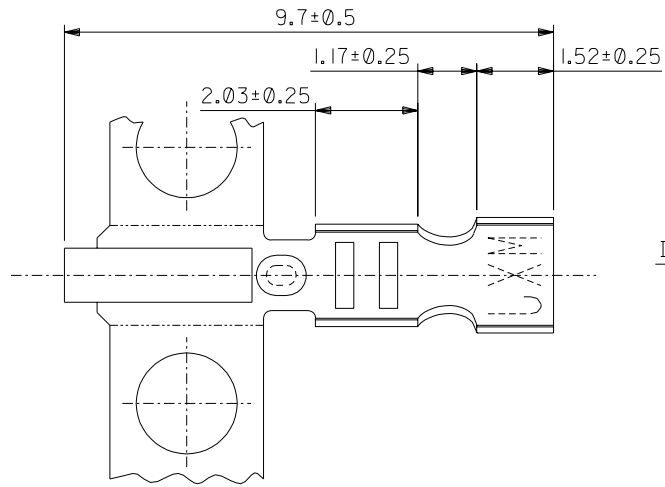
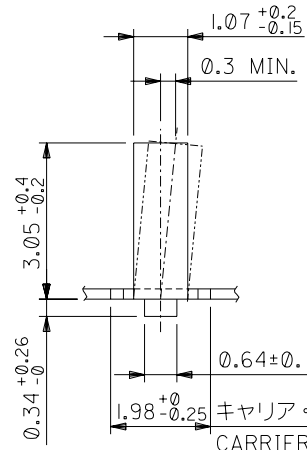
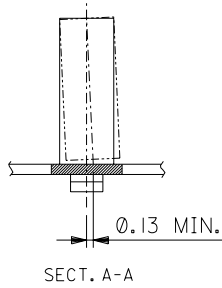


39-00-0107	2759PBTL	LOOSE	0.00091 MIN REFLOWED TIN	PHOS BRO.
39-00-0064	2759PBT	CHAIN		
39-00-0381	2759PBGL	LOOSE	SELECTIVE GOLD: 0.00038 MIN. OVERALL GOLD FLASH: 0.00005-0.00025 OVERALL NICKEL UNDERPLATE: 0.00076 MIN.	BRASS
39-00-0380	2759PBG	CHAIN		
39-00-0377	2759GL	LOOSE	SELECTIVE GOLD: 0.00038 MIN. OVERALL GOLD FLASH: 0.00005-0.00025 OVERALL NICKEL UNDERPLATE: 0.00076 MIN.	BRASS
39-00-0376	2759G	CHAIN		
39-00-0373	2759TL	LOOSE	0.00089 MIN REFLOWED TIN OVER 0.00051 MIN COPPER UNDERPLATE	BRASS
39-00-0372	2759T	CHAIN		
EDP.NO.	ENG.NO.	FORM	FINISH	MATL

NOTES:

1. MATERIAL: SEE CHART
2. FINISH: SEE CHART
3. PRODUCT SPECIFICATION PS-10-07
4. DIM 1.98 +0/-0.25 TO BE SYMMETRICAL WITHIN 0.13 T.I.R
5. THIS PART CONFORMS TO CLASS B REQUIREMENTS OF COSMETIC SPECIFICATION PS-45499-002

THIS DRAWING CONTAINS INFORMATION THAT IS PROPRIETARY TO MOLEX ELECTRONIC TECHNOLOGIES, LLC AND SHOULD NOT BE USED WITHOUT WRITTEN PERMISSION									
DIMENSION UNITS		SCALE		CURRENT REV DESC: REMOVED OBSOLETE PART NUMBER AS PER PCN#512351.				<b>molex</b>	
mm		NTS							
GENERAL TOLERANCES (UNLESS SPECIFIED)				EC NO: 717021				MINI.KK.CRIMP TYPE TERM	
ANGULAR TOL ± °				DRWN: SANTHN 2022/08/08				PRODUCT CUSTOMER DRAWING	
4 PLACES ±				CHK'D: GGA 2022/08/09				DOCUMENT NUMBER	
3 PLACES ±				APPR: GGA 2022/08/09				SD-2759X	
2 PLACES ±				INITIAL REVISION:				DOC TYPE   DOC PART   REVISION	
1 PLACE ±				DRWN: K. KOHAMA 2000/03/28				PSD 001 Y1	
0 PLACES ±				APPR: K. ASAKAWA 2000/04/28					
DRAFT WHERE APPLICABLE MUST REMAIN WITHIN DIMENSIONS		THIRD ANGLE PROJECTION		DRAWING		SERIES		MATERIAL NUMBER	
		C-SIZE		2759		SEE CHART		CUSTOMER	
						GENERAL MARKET		SHEET NUMBER	
								1 OF 1	



注) NOTE.  
 1. 芯スレ 0.13最大  
 DIM 1.98 +0/-0.25 TO BE SYMMETRICAL  
 WITHIN 0.13 T.I.R

39-00-0381	2759PBGL	バラ状 LOOSE	NI:2.0UMIN.	リン 青銅 PHOS BRO.
39-00-0380	PBG	連鎖状 CHAIN	AU:0.35UMIN.	
39-00-0379	G5L	バラ状 LOOSE	NI:2.0UMIN.	黄銅 BRASS
39-00-0378	G5	連鎖状 CHAIN	AU:0.5UMIN.	
39-00-0377	GL	バラ状 LOOSE	NI:2.0UMIN.	
39-00-0376	2759G	連鎖状 CHAIN	AU:0.35UMIN.	
EDP.NO.	ENG.NO.	端子形状 FORM	メッキ仕様 FINISH	材質 MATL

表6 NO. 表参考 SEE TABLE WIRE RANGE 適用線径範囲 AWG #22-#28 INS. RANGE 被覆外径 φ(1.2)-φ1.7	MATERIAL 材料 表参照 板厚: 0.203 SEE TABLE 0.203 THK FINISH 仕上げ 表参照 SEE TABLE WIRE RANGE 適用線径範囲 AWG #22-#28 INS. RANGE 被覆外径 φ(1.2)-φ1.7	GENERAL TOLERANCES: (UNLESS SPECIFIED) 一般公差 10 UNDER 未満 ±0.2 10 OVER 以上 30 UNDER 未満 ±0.25 30 OVER 以上 ±0.3 ANGLE 角度 ±3°	SCALE 10:1 DESIGN UNITS <input checked="" type="checkbox"/> mm <input type="checkbox"/> INCH 20° 3RD ANGLE PROJECTION DRAWN BY & DATE K.KOHAMA '00/ 3/28 CHECKED BY & DATE K.ASAKAWA '02/04/08 APPROVED BY & DATE T.YAMAGUCHI '02/04/08 CAD FILENAME S2759.S01	DIMENSIONS: <input type="checkbox"/> mm <input type="checkbox"/> INCH <input checked="" type="checkbox"/> mm ONLY SHT REV OTHERWISE ON CAD ONLY	TITLE: MINI. KK. CRIMP TYPE TERM. MOLEX MOLEX INCORPORATED	MATERIAL NO. 2759* DRAWING NO. SD-2759* SHEET NO. 1
		2008S DRAWING CONTAINS INFORMATION THAT IS PROPRIETARY TO MOLEX INCORPORATED AND SHOULD NOT BE USED WITHOUT WRITTEN PERMISSION.			SIZE B	