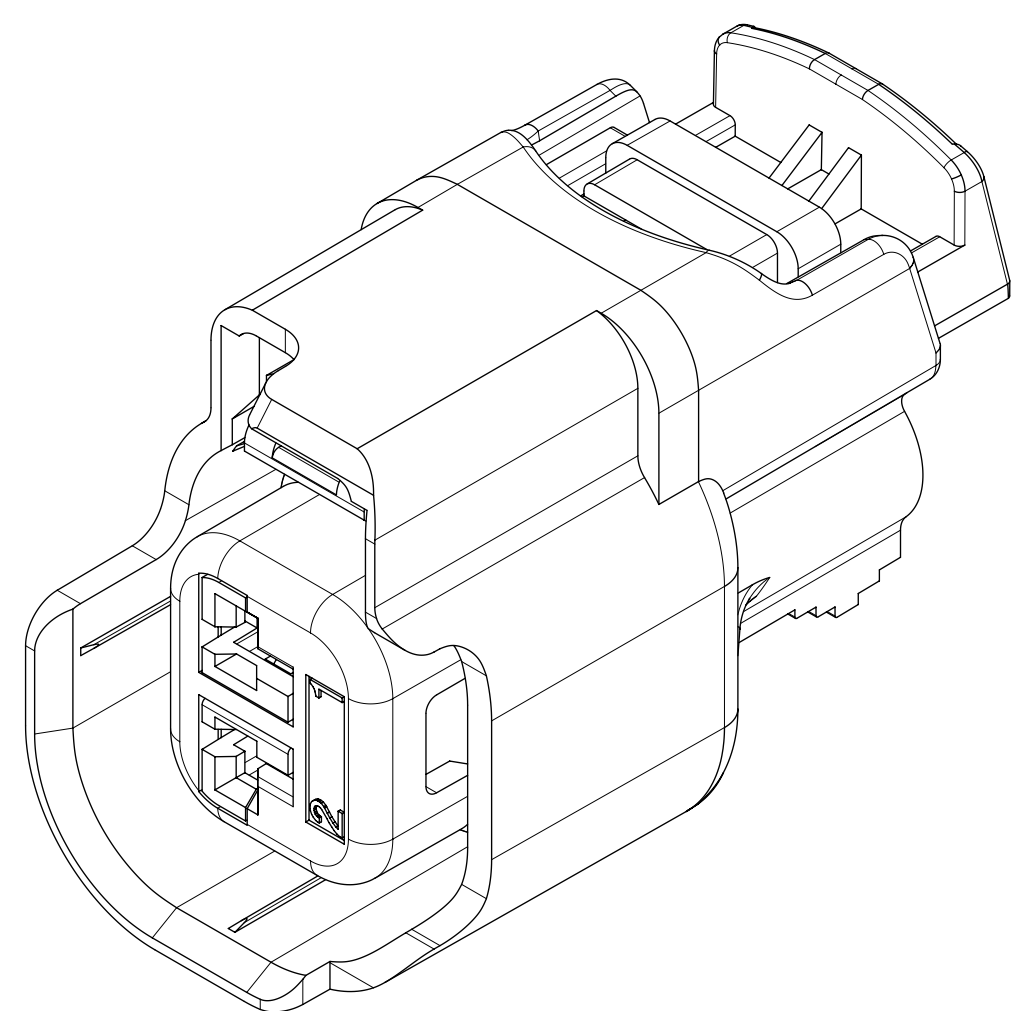
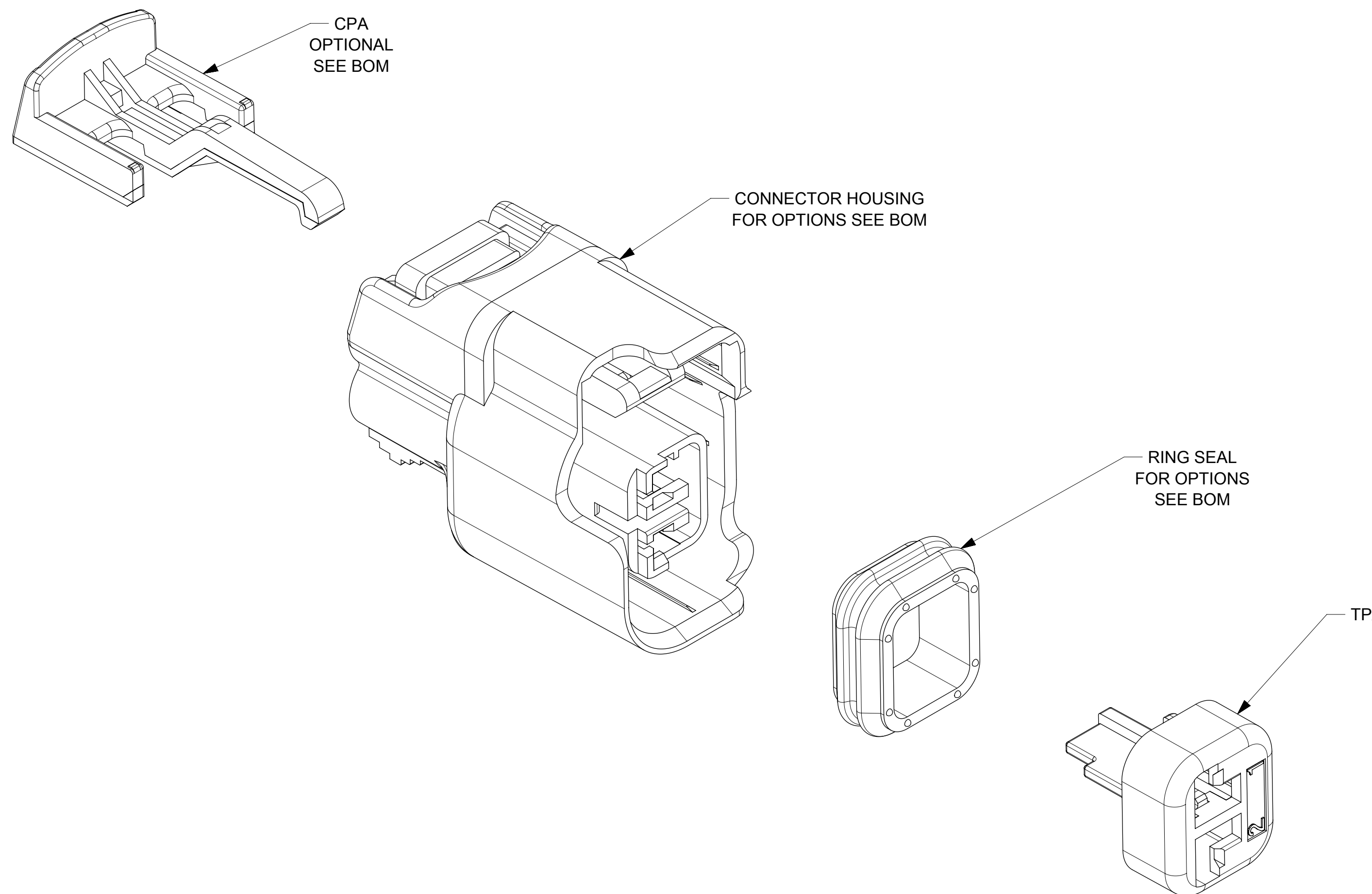


| TABLE OF CONTENTS |                               |
|-------------------|-------------------------------|
| SHEET NO.         | SHEET DESCRIPTION             |
| 1                 | NOTES                         |
| 2, 3              | CONFIGURATIONS                |
| 4                 | RECEPTACLE CONNECTOR ASSEMBLY |
| 5                 | MOLEX INTERFACE               |

NOTES: VALID UNLESS OTHERWISE SPECIFIED

1. GENERAL:
- a. APPLICATION SPECIFICATION SEE: AS-34062-000
    - CONTAINS: PRODUCT INTRODUCTION, PRODUCT SUMMARY, CONNECTOR ASSEMBLY, PACKAGING INFORMATION, CONNECTOR MATING, SERVICE INSTRUCTIONS, ELECTRICAL CONTINUITY CHECKING, CRIMPING, AND TROUBLESHOOTING.
    - DESIGNED TO MATE WITH DEVICE CONNECTION AS SPECIFIED IN DRAWING EWCAP 150-S-002-1-Z01. AVAILBLE AT <http://ewcap.uscarteams.org/>.
    - DESIGNED TO MATE WITH BLADE SEALED ASSEMBLY AS SPECIFIED IN DRAWING: SD-34675-001
    - ASSEMBLY SHIPPED WITH TPA IN PRE-LOCK (SEE TPA PRE-LOCK VIEW IN SHEET 4)
  - b. PRODUCT SPECIFICATION SEE: PS-34062-000
    - CONTAINS: SCOPE, PRODUCT DESCRIPTION, INTEGRAL COMPONENTS AND ACCESSORIES, APPLICABLE DOCUMENTS AND SPECIFICATIONS, RATINGS, PERFORMANCE, PACKAGING, GAUGE AND FIXTURES, AND OTHER INFORMATION.
  - c. PACKAGING SPECIFICATION PER MOLEX DRAWING: PK-30907-879
  - d. PARTS MUST BE IN COMPLIANCE TO MOLEX CHEMICAL SUBSTANCES FOR PRODUCTS AND PACKAGING SPECIFICATION: QEHS-699000-301
  - e. DATA MUST BE SUBMITTED UNDER THE MOLEX PART NUMBER TO IMDS (COMPANY ID#13255)
2. DESIGN - MATERIALS:
- a. SEE BOM TABLE IN SD-34062-004
3. DESIGN - GEOMETRY:
- a. THIS IS A 100% CAD GENERATED PART. THE CAD MATHEMATICAL DATA IS THE MASTER FOR THIS PART. FOR DIMENSIONAL OR ANY INFORMATION NOT SHOWN ON THIS DRAWING, ANALYZE THE CAD MODEL.
  - b. GEOMETRIC DIMENSIONS AND TOLERANCES PER ASME Y14.5M - 1994
  - c. EDGES AND UNDIMENSIONED DETAILS PER ISO13715
  - d. CORNERS SHOWN AS SHARP TO BE R 0.2 MAX.
  - e. LETTERING SHALL BE 0.15 MAX RAISED IN 0.25 MAX RECESS PAD. THIS INCLUDES RECYCLING CODE, CAVITY ID, VENDOR IDENTIFICATION, AND CUSTOMER MATERIAL NUMBER.
  - f. VISUAL DEFECTS SHALL MEET COSMETIC STANDARD PS-45499-002 (Class B)
  - g. LASER MARKING: TBD

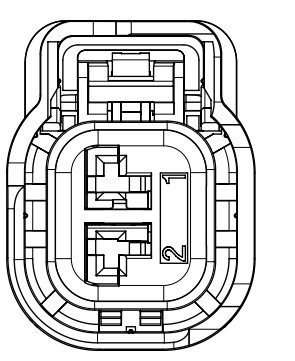
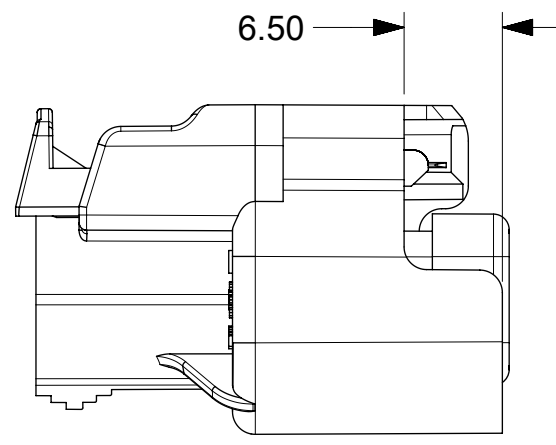


|      |                  |
|------|------------------|
| J19  | NX RE-MASTERING  |
| J18  | ADDED DIM ICD 64 |
| REV. | DESCRIPTION      |

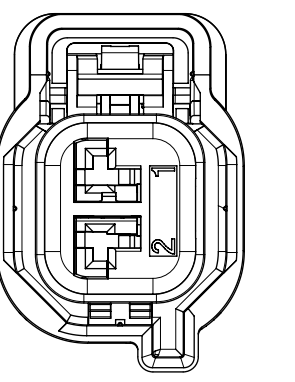
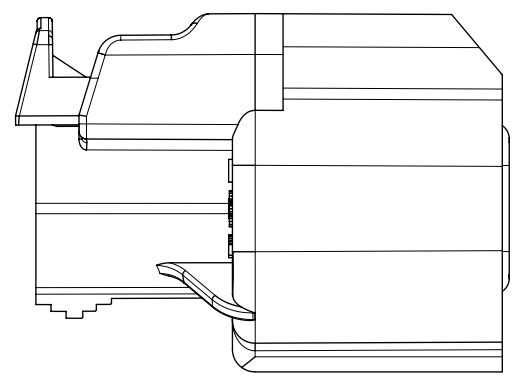
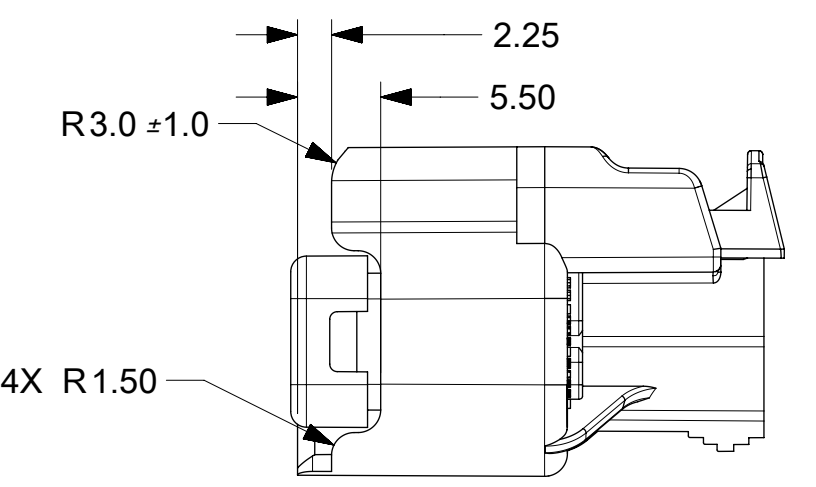
|   |  |  |  |                                   |  |  |  |
|---|--|--|--|-----------------------------------|--|--|--|
| THIS DRAWING CONTAINS INFORMATION THAT IS PROPRIETARY TO MOLEX ELECTRONIC TECHNOLOGIES, LLC AND SHOULD NOT BE USED WITHOUT WRITTEN PERMISSION |  | DIMENSION UNITS<br><b>MM</b>                                   |  | SCALE<br><b>4:1</b>               |  |  |  |
| GENERAL TOLERANCES (UNLESS SPECIFIED)   |  | DRWN BY<br><b>KCUNNINGHAM</b>                                  |  | DATE<br><b>2011/11/08</b>         |  |  |  |
| ANGULAR TOL ± 3.0 °   |  | CHKD BY<br><b>MVANSLAMBROU</b>                                 |  | DATE<br><b>1/26/2012</b>          |  | PRODUCT CUSTOMER DRAWING               |  |
| 4 PLACES ±  |  | APPR BY<br><b>KDEKOSKI</b>                                     |  | DATE<br><b>2017/06/14</b>         |  | SERIES<br><b>34062</b>                 |  |
| 3 PLACES ±  |  | DRAWING SIZE<br><b>D</b>                                       |  | THIRD ANGLE PROJECTION            |  | MATERIAL NUMBER<br><b>SEE NOTE 2a</b>  |  |
| 2 PLACES ± 0.1  |  | DRAFT WHERE APPLICABLE MUST REMAIN WITHIN DIMENSIONS           |  | CUSTOMER<br><b>GENERAL MARKET</b> |  | DOCUMENT NUMBER<br><b>SD-34062-002</b> |  |
| 1 PLACE ± 0.3   |  | EC NO: 117955<br>DRWN: PKABBUR<br>CHKD: KDEKOSKI<br>REV: APPR: |  | DOG TYPE<br><b>PSD</b>            |  | DOG PART<br><b>000</b>                 |  |
| 0 PLACES ±  |  | <b>J19</b>   |  | SHEET NUMBER<br><b>1 OF 5</b>     |  |  |  |

| INSPECTION BALLOON NUMBER LOG |   |
|-------------------------------|---|
| PER DRAWING REVISION:         | J18   |
| LAST BALLOON NUMBER USED:     | ICD 64  |
| ADDED BALLOON NUMBERS:        | ICD 64  |
| REMOVED BALLOON NUMBERS:      | ICD 7, ICD 8, ICD 9, ICD 18, ICD 19, ICD 20, ICD 41, ICD 42 |

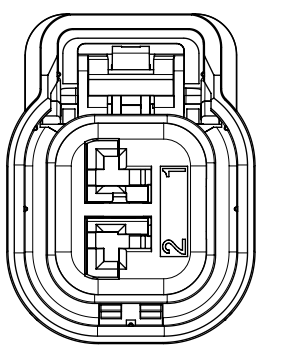
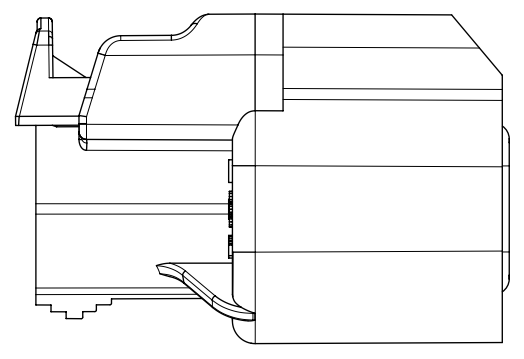
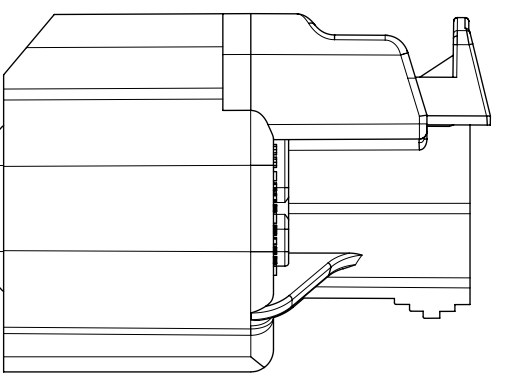
SHEET DESCRIPTION  
CONFIGURATIONS



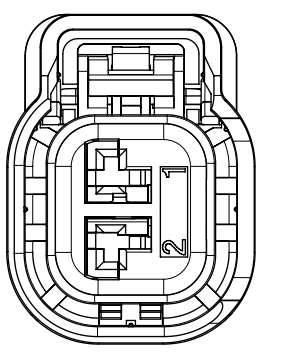
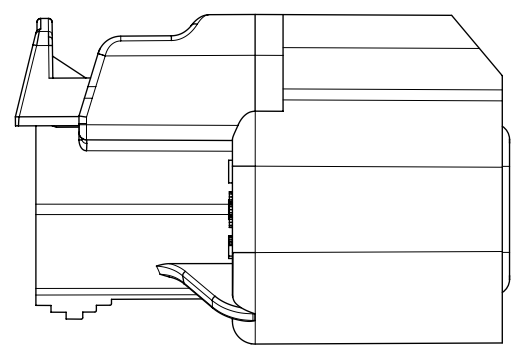
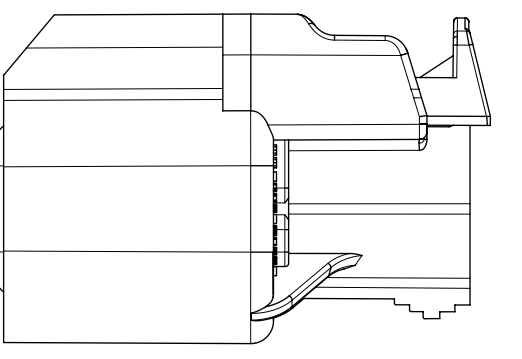
OPTION A



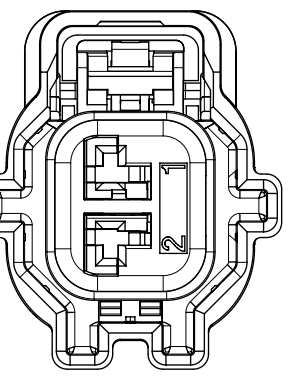
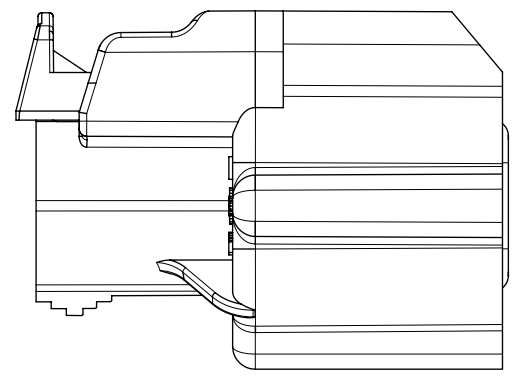
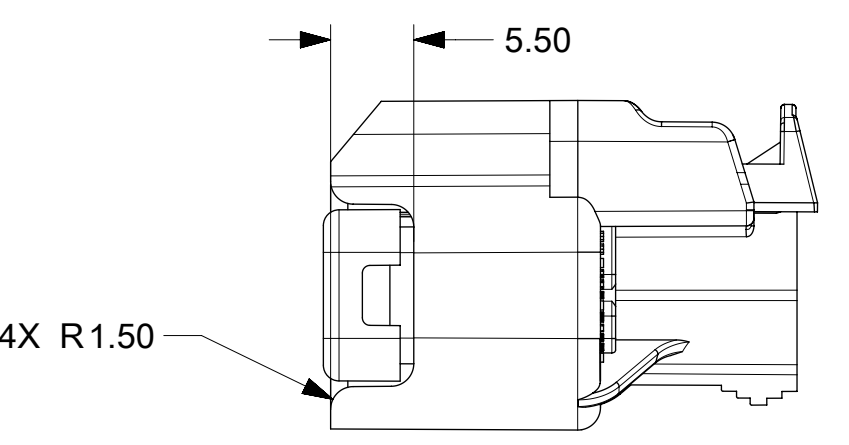
OPTION B



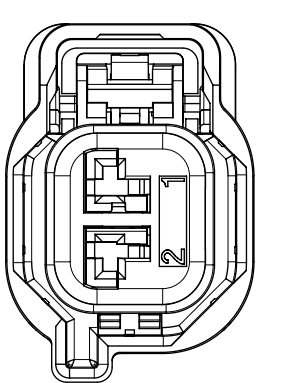
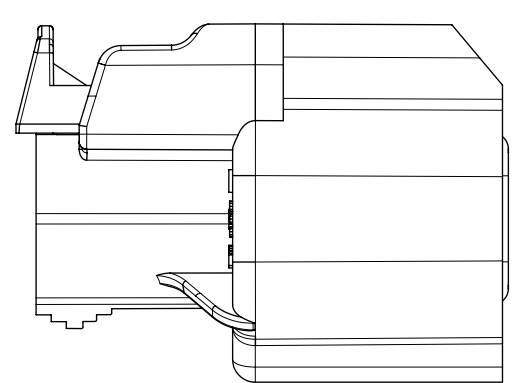
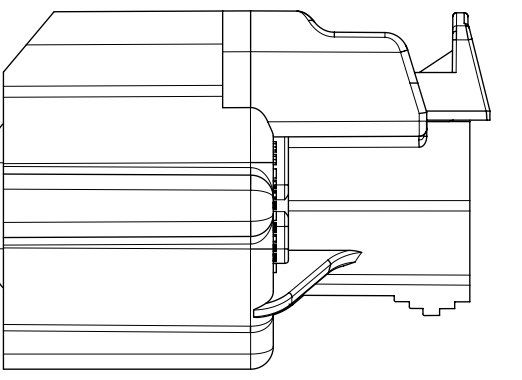
OPTION C



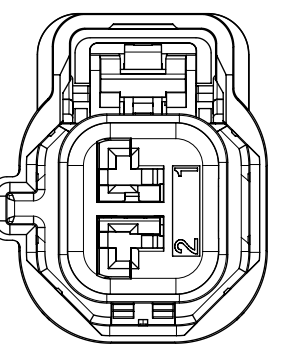
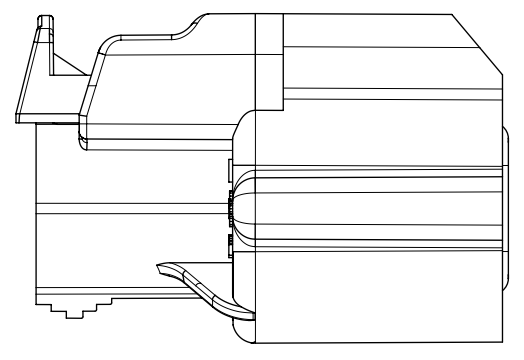
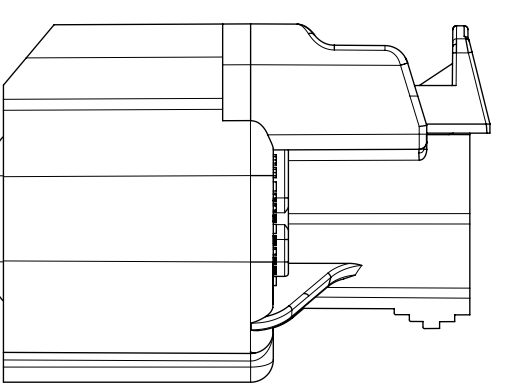
OPTION D



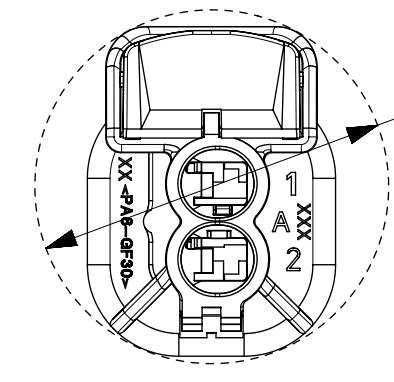
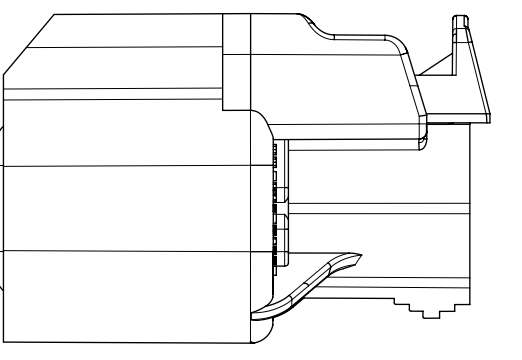
OPTION E



OPTION F

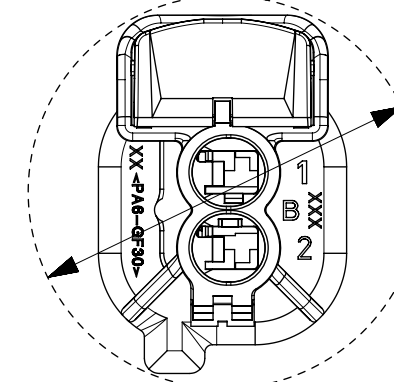


OPTION G



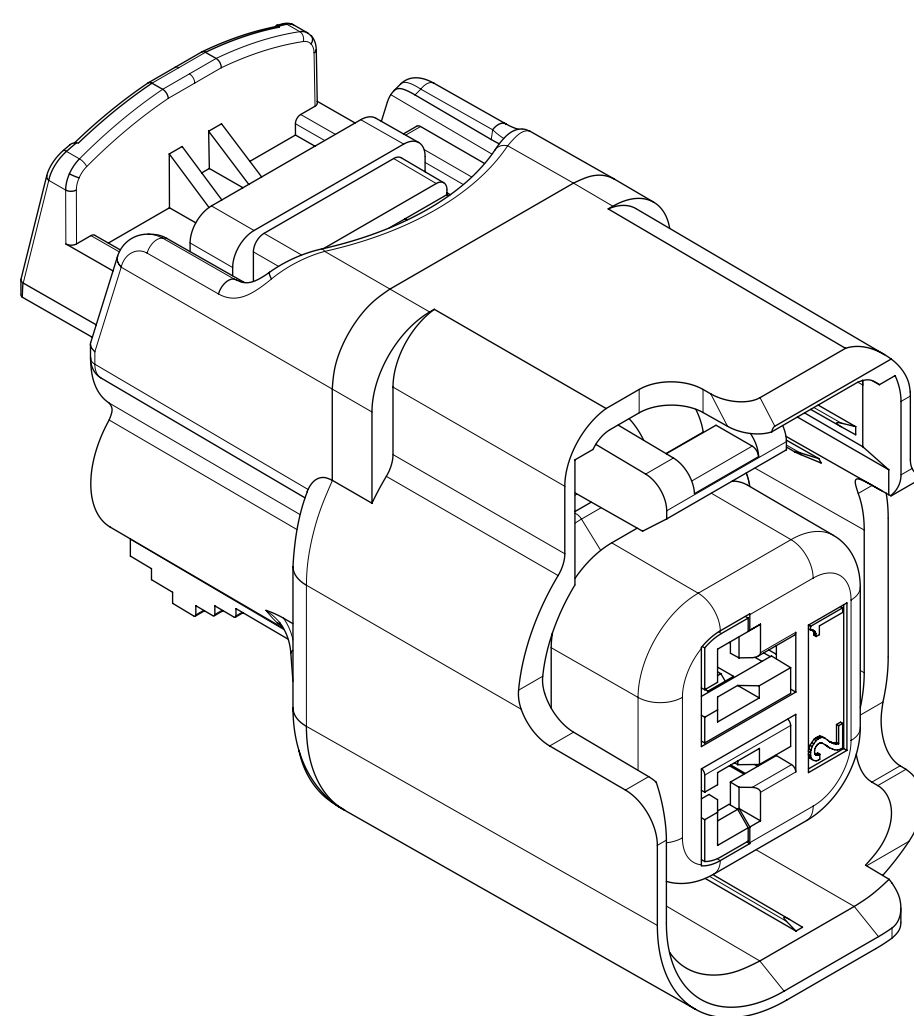
REAR VIEW

Ø23.40  
MINIMUM PASS-THRU WITH  
NO CLEARANCE  
APPLIES TO NON-CLIP SLOT  
OPTIONS A, C, D & G



REAR VIEW

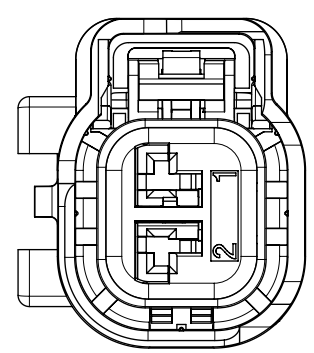
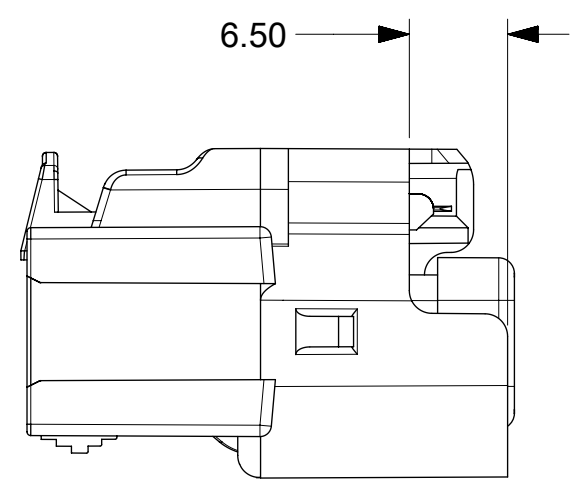
Ø26.00  
MINIMUM PASS-THRU WITH  
NO CLEARANCE  
APPLIES TO NON-CLIP SLOT  
OPTIONS B, E & F



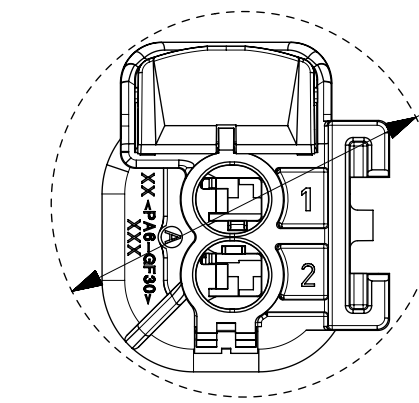
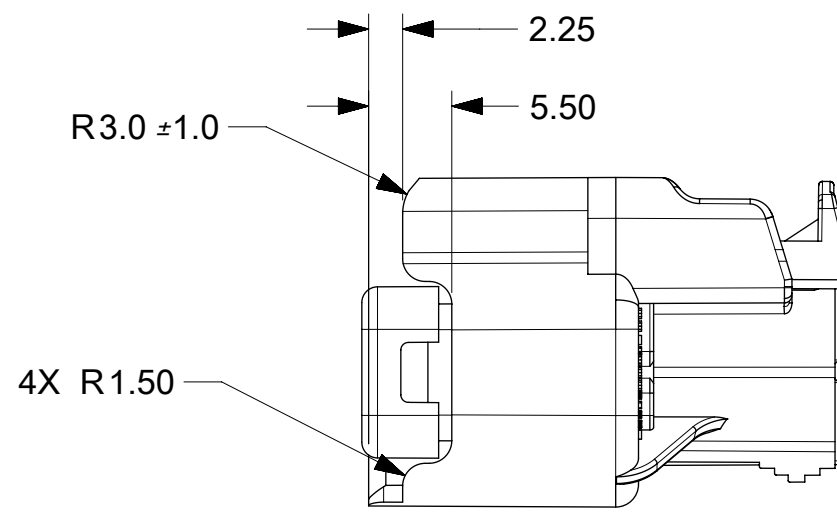
NON CLIP-SLOT OPTION  
SCALE 4:1

|   |  |                          |                                       |              |                        |   |                 |          |                |  |  |
|---|--|--------------------------|---------------------------------------|--------------|------------------------|---|-----------------|----------|----------------|--|--|
| THIS DRAWING CONTAINS INFORMATION THAT IS PROPRIETARY TO MOLEX ELECTRONIC TECHNOLOGIES, LLC AND SHOULD NOT BE USED WITHOUT WRITTEN PERMISSION |  |                          |                                       |              |                        |   |                 |          |                |  |  |
| QUALITY SYMBOLS   | EC NO: 117955<br>DRWN: PKABBUR<br>CHKD:<br>REV: APPR: KDEKOSKI | 2017/05/15<br>2017/06/14 | GENERAL TOLERANCES (UNLESS SPECIFIED) |              | DIMENSION UNITS        | SCALE   |                 |          |                |  |  |
|   |  |                          | ANGULAR TOL ± 3.0 °                   |              | MM                     | 2:1   |                 |          |                |  |  |
| ▽ = 0   | DRAFT WHERE APPLICABLE<br>MUST REMAIN<br>WITHIN DIMENSIONS     | D                        | 4 PLACES ±                            | DRWN BY      | DATE                   | MX150 2 WAY CABLE SEAL<br>RECEPTACLE CONN. SYSTEM (5.0MM PITCH) |                 |          |                |  |  |
| ▽ = 0   |  |                          | 3 PLACES ±                            | KCUNNINGHAM  | 2011/11/08             |   |                 |          |                |  |  |
| ▽ = 0   |  |                          | 2 PLACES ± 0.1                        | CHKD BY      | DATE                   | PRODUCT CUSTOMER DRAWING  |                 |          |                |  |  |
| ▽ = 0   |  |                          | 1 PLACE ± 0.3                         | MVANSLAMBROU | 1/26/2012              |   |                 |          |                |  |  |
| ▽ = 0   |  |                          | 0 PLACES ±                            | APPR BY      | DATE                   | SERIES  | MATERIAL NUMBER | CUSTOMER | GENERAL MARKET |  |  |
| ▽ = 0   |  |                          |                                       | KDEKOSKI     | 2017/06/14             | 34062   | SEE NOTE 2a     |          |                |  |  |
| ▽ = 0   |  |                          |                                       | DRAWING SIZE | THIRD ANGLE PROJECTION | DOCUMENT NUMBER   | DOC TYPE        | DOC PART | SHEET NUMBER   |  |  |
|   |  |                          |                                       | D            |                        | SD-34062-002  | PSD             | 000      | 2 OF 5         |  |  |

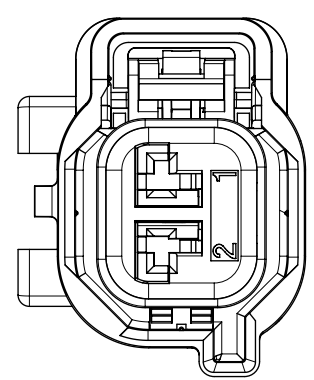
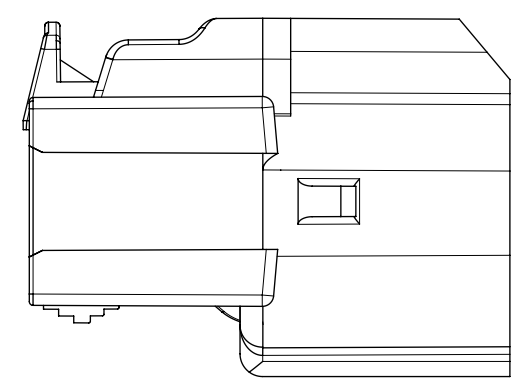
SHEET DESCRIPTION  
CONFIGURATIONS



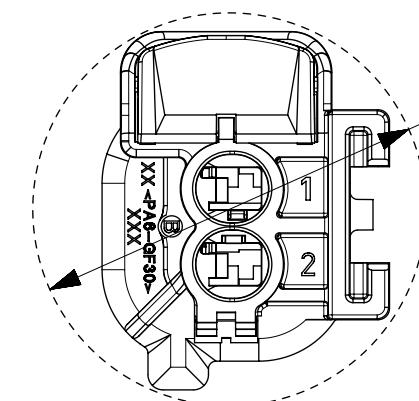
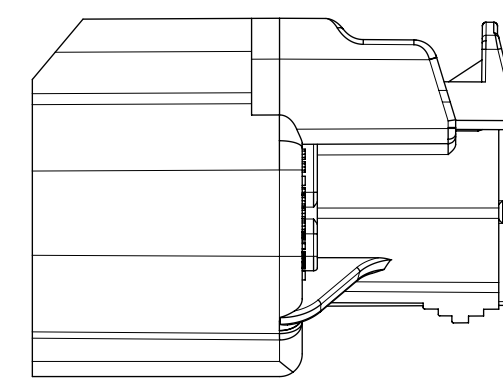
OPTION A W/CLIP-SLOT \*



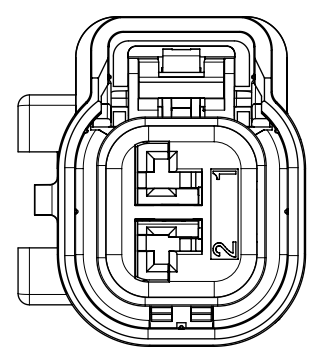
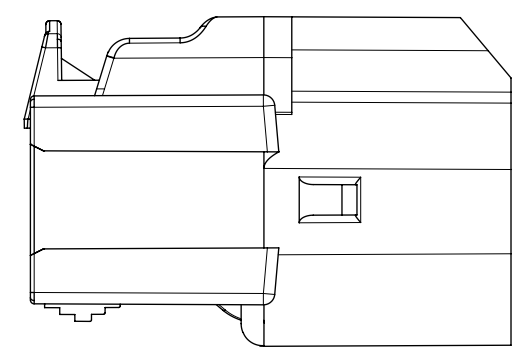
Ø25.50  
MINIMUM PASS-THRU WITH  
NO CLEARANCE  
APPLIES TO CLIP-SLOT  
OPTIONS A, C & D



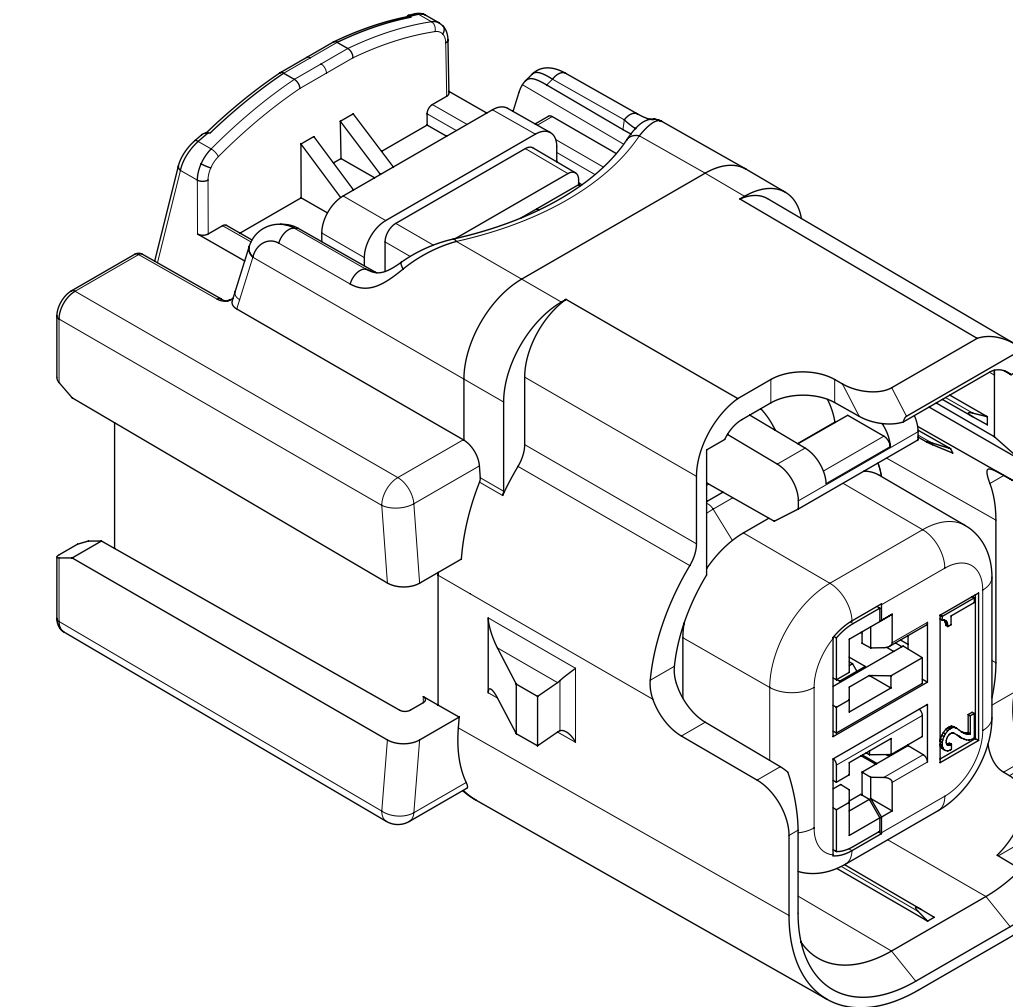
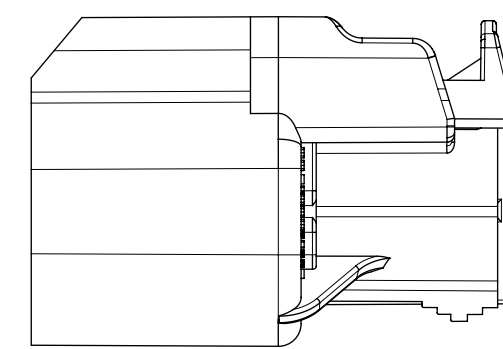
OPTION B W/CLIP-SLOT \*



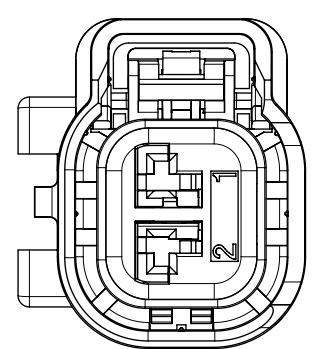
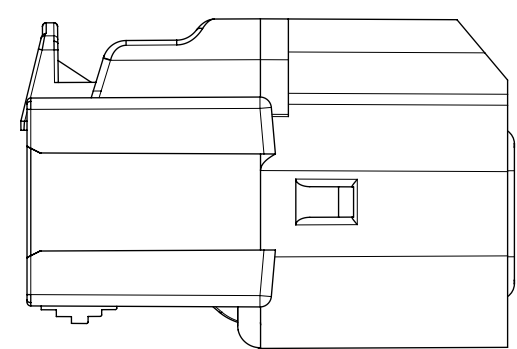
Ø26.00  
MINIMUM PASS-THRU WITH  
NO CLEARANCE  
APPLIES TO CLIP-SLOT  
OPTION B



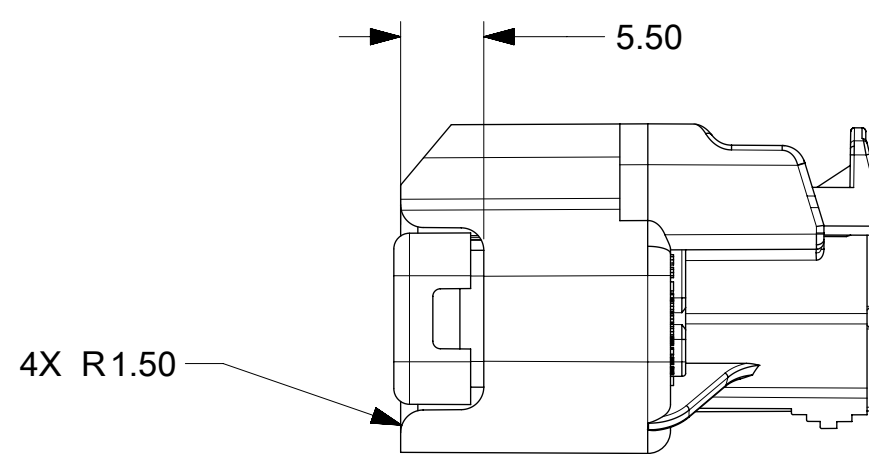
OPTION C W/CLIP-SLOT \*



CLIP-SLOT OPTION  
SCALE 4:1



OPTION D W/CLIP-SLOT \*

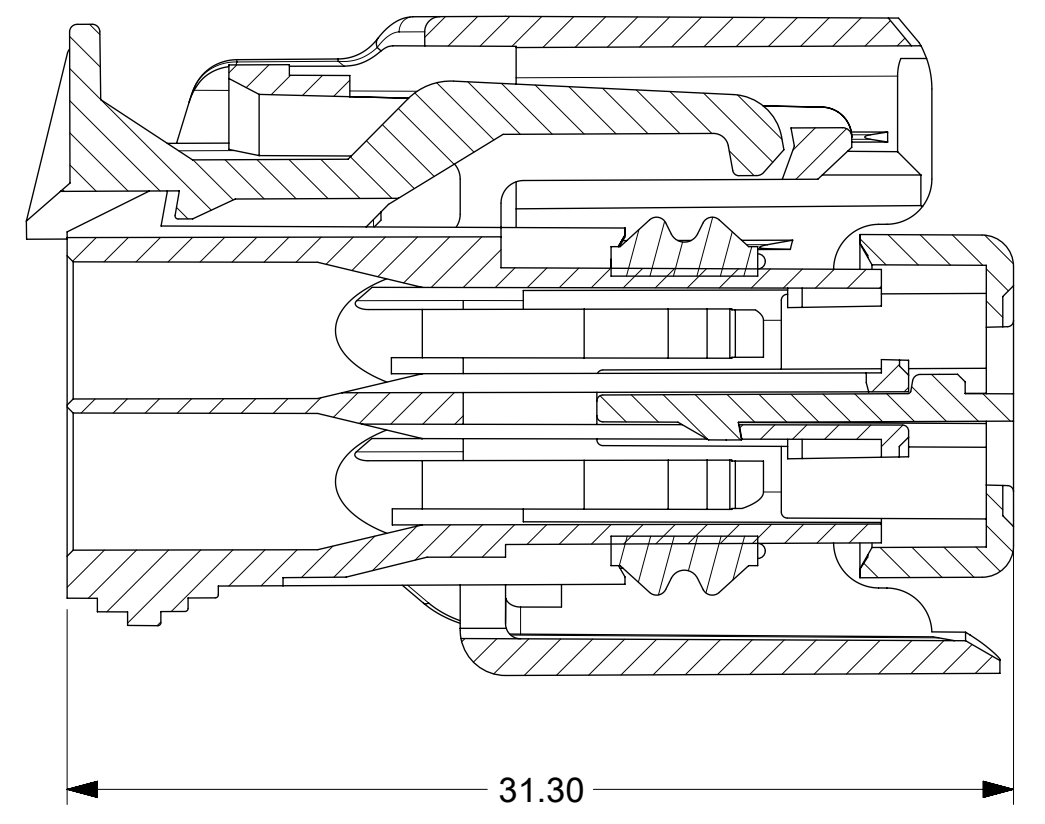
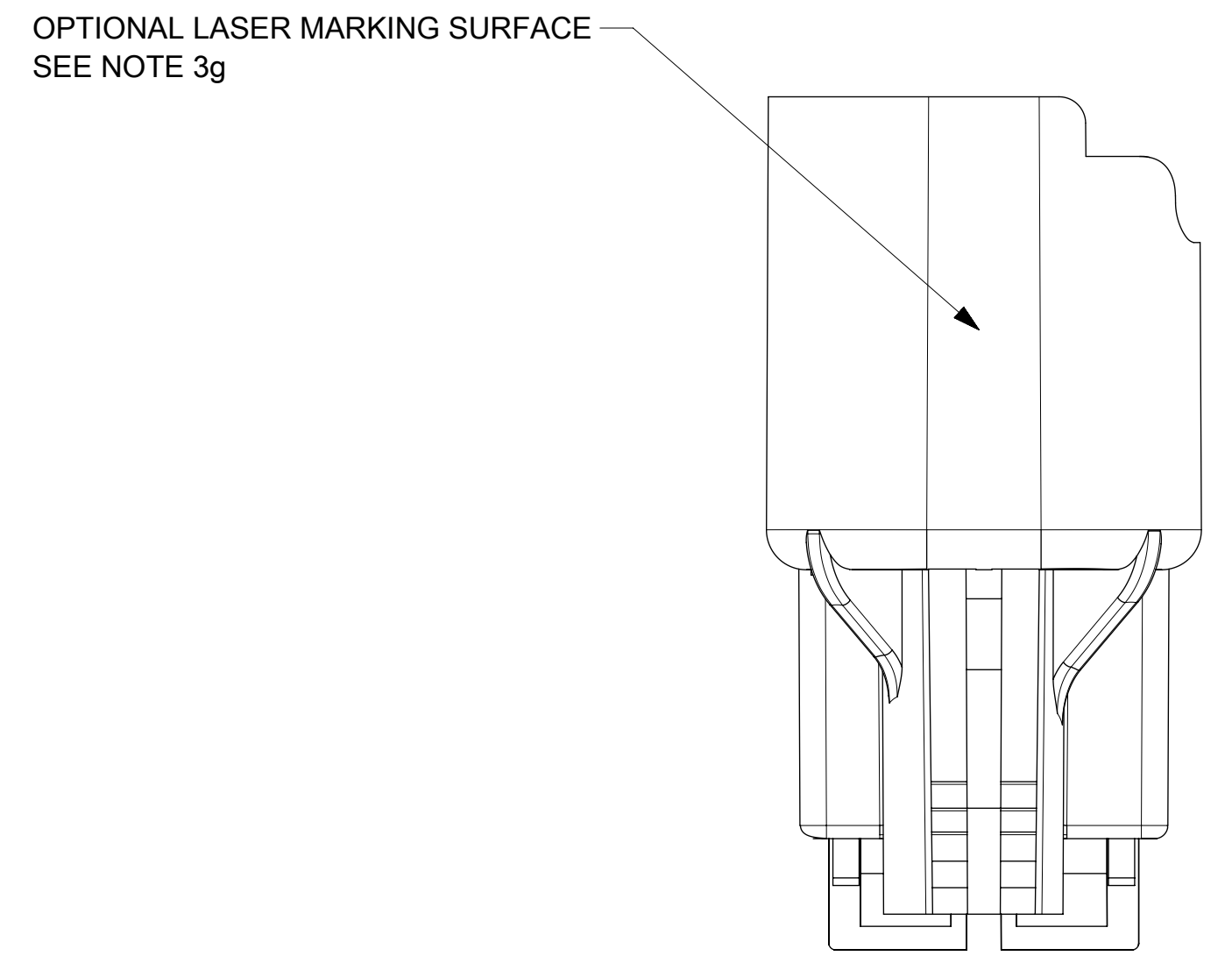
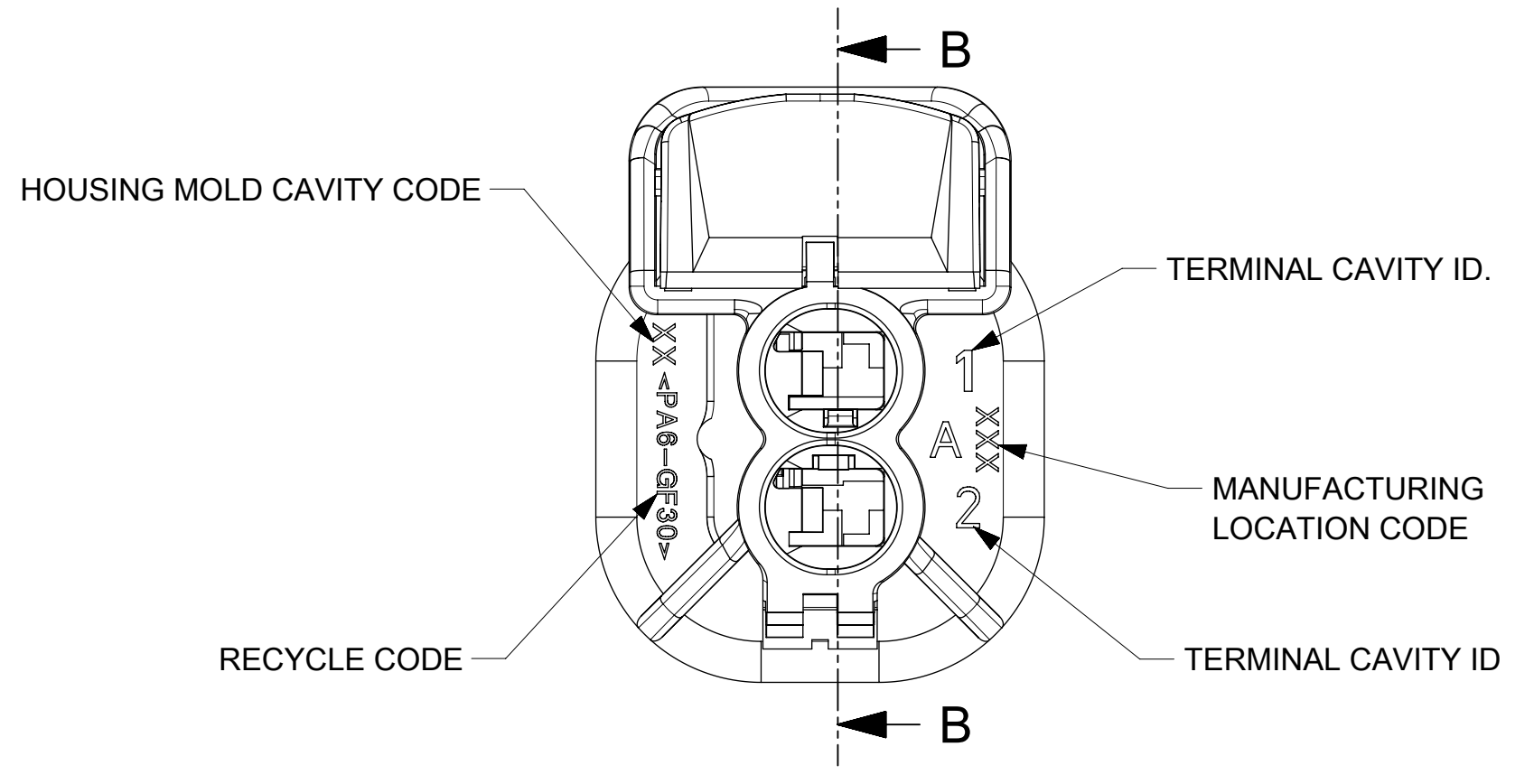
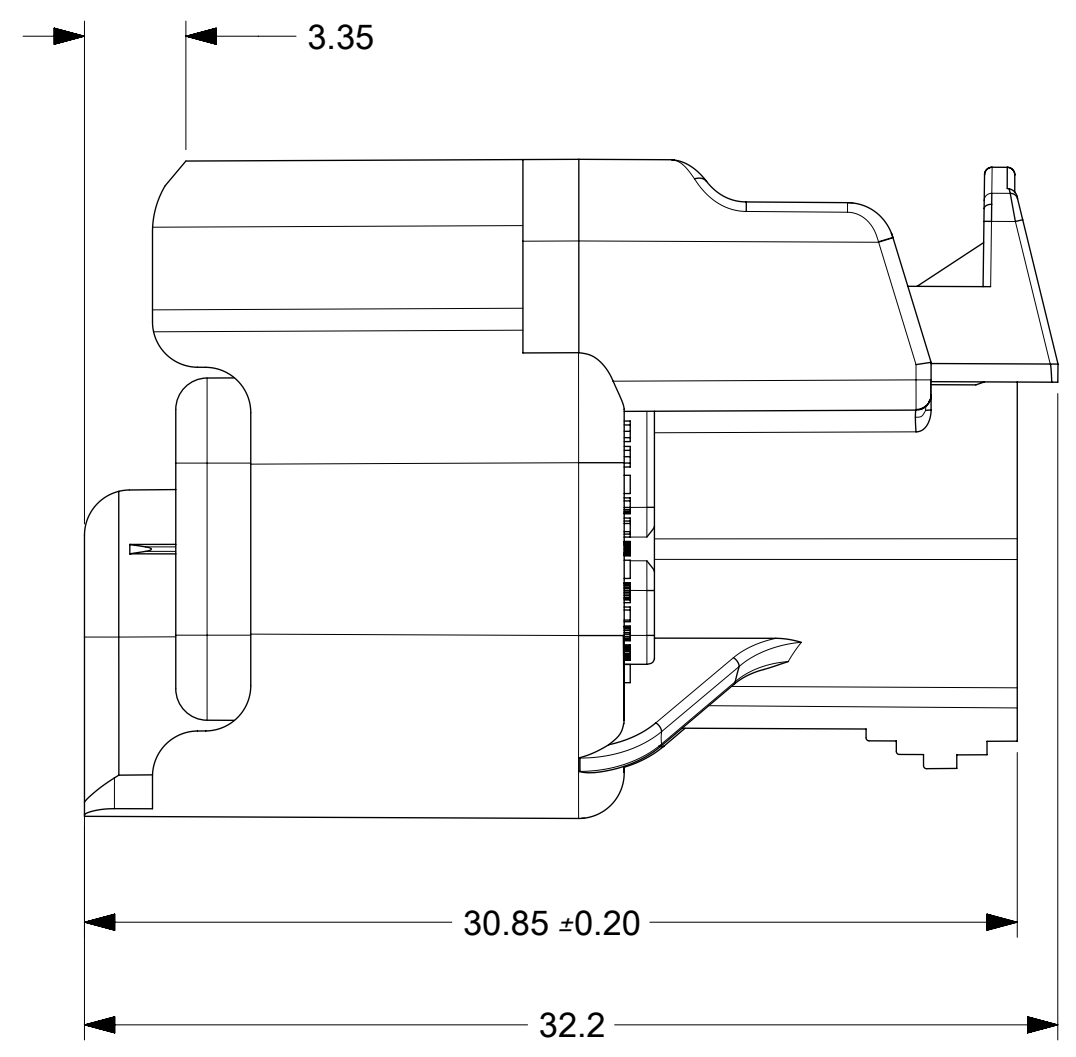
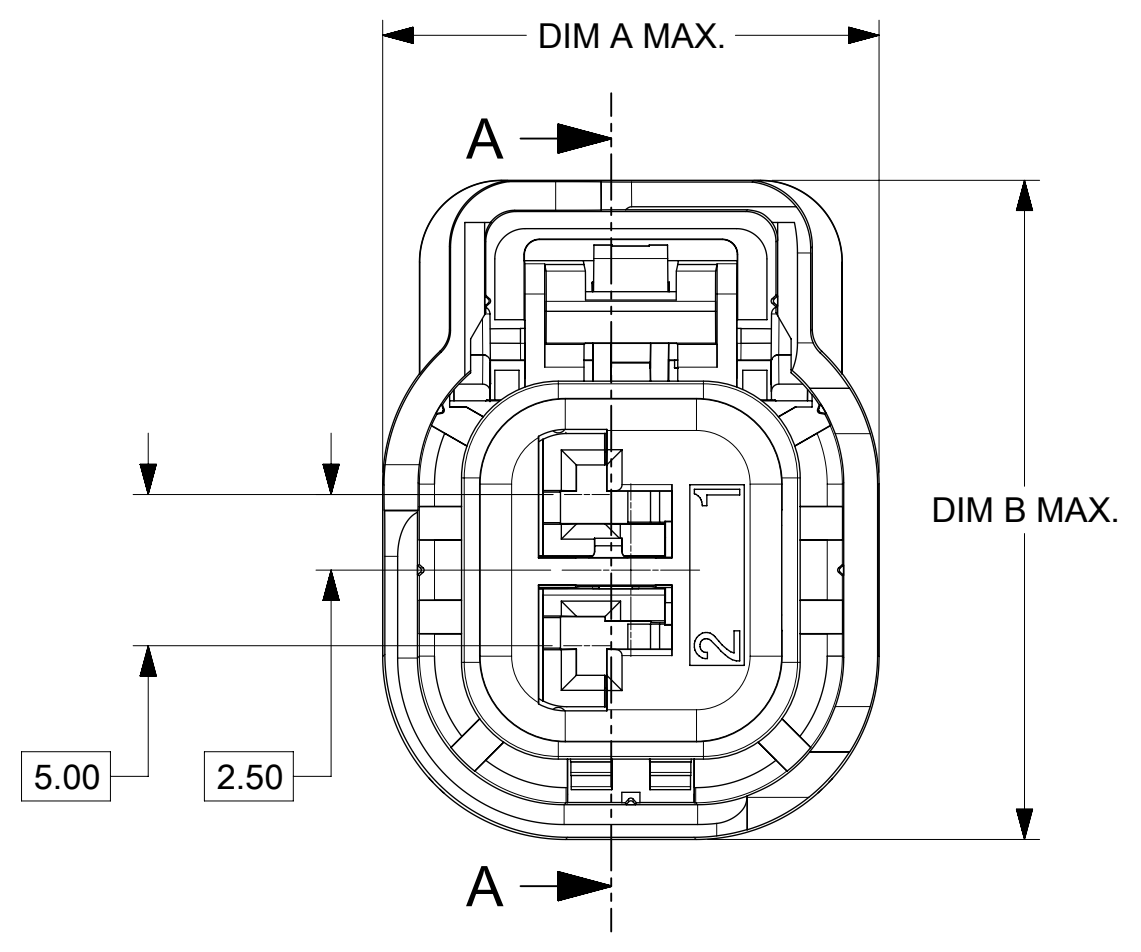
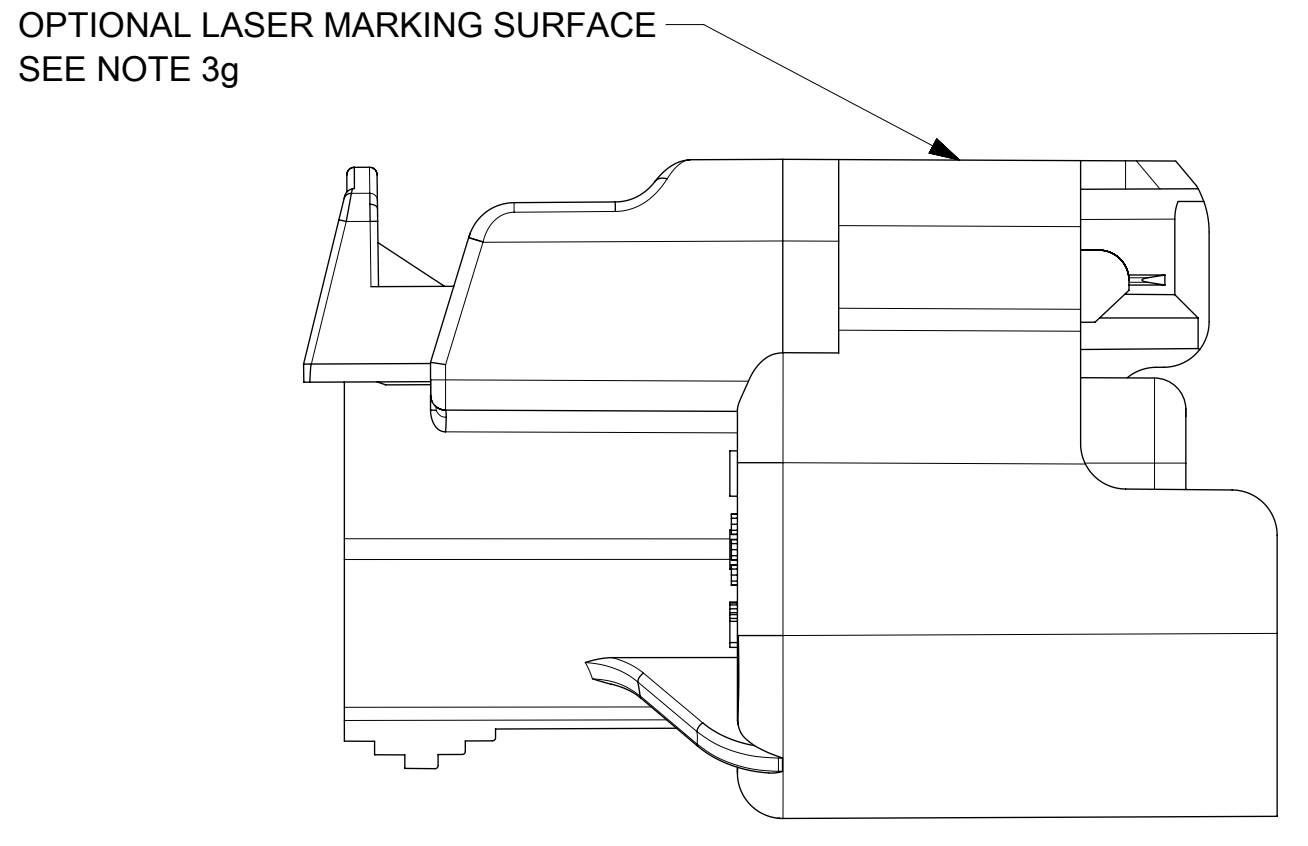


\* WITH CLIP-SLOT CONFIGURATIONS  
DO NOT MEET USCAR PACKAGING FRAME REQUIREMENTS

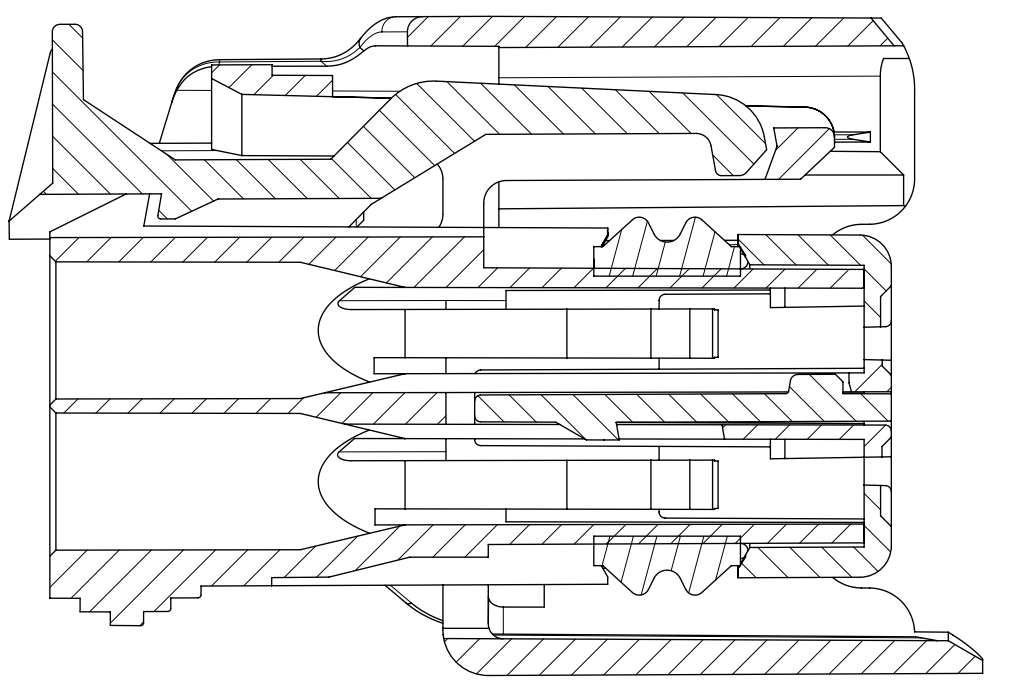
|                            |   |                |                                       |                        |                 |              |   |                 |          |                |  |
|----------------------------|---|----------------|---------------------------------------|------------------------|-----------------|--------------|---|-----------------|----------|----------------|--|
| <b>QUALITY SYMBOLS</b><br> | THIS DRAWING CONTAINS INFORMATION THAT IS PROPRIETARY TO MOLEX ELECTRONIC TECHNOLOGIES, LLC AND SHOULD NOT BE USED WITHOUT WRITTEN PERMISSION |                |                                       |                        |                 |              |   |                 |          |                |  |
|                            | 2017/05/15  | 2017/06/14     | GENERAL TOLERANCES (UNLESS SPECIFIED) |                        | DIMENSION UNITS | SCALE        |   |                 |          |                |  |
|                            | DRWN BY   | DATE           | ANGULAR TOL ± 3.0 °                   |                        | MM              | 2:1          |   |                 |          |                |  |
|                            | EC NO: 117955<br>DRWN: PKABBUR<br>CHKD:<br>REV APPR: KDEKOSKI   | 4 PLACES ±     | KCUNNINGHAM                           |                        | 2011/11/08      |              | MX150 2 WAY CABLE SEAL<br>RECEPTACLE CONN. SYSTEM (5.0MM PITCH) |                 |          |                |  |
|                            |   | 3 PLACES ±     | CHKD BY                               |                        | DATE            |              |   |                 |          |                |  |
|                            |   | 2 PLACES ± 0.1 | MVANSLAMBROU                          |                        | 1/26/2012       |              | PRODUCT CUSTOMER DRAWING  |                 |          |                |  |
|                            |   | 1 PLACE ± 0.3  | APPR BY                               |                        | DATE            |              |   |                 |          |                |  |
|                            |   | 0 PLACES ±     | KDEKOSKI                              |                        | 2017/06/14      |              | SERIES  | MATERIAL NUMBER | CUSTOMER |                |  |
|                            | DRAFT WHERE APPLICABLE MUST REMAIN WITHIN DIMENSIONS  |                | DRAWING SIZE                          | THIRD ANGLE PROJECTION |                 |              | 34062   | SEE NOTE 2a     |          | GENERAL MARKET |  |
|                            |   |                | D                                     |                        |                 |              | DOCUMENT NUMBER   | DOC TYPE        | DOC PART | SHEET NUMBER   |  |
|                            |   | J19            |                                       |                        |                 | SD-34062-002 | PSD   | 000             | 3 OF 5   |                |  |

| SHEET DESCRIPTION             |  |
|-------------------------------|--|
| RECEPTACLE CONNECTOR ASSEMBLY |  |

| CHARTED DIMENSIONS          |            |      |
|-----------------------------|------------|------|
| CONFIGURATIONS              | DIMENSIONS |      |
|                             | A          | B    |
| OPTIONS A, C, D             | 16.6       | 22.0 |
| OPTION B                    | 16.6       | 23.9 |
| OPTION E                    | 20.2       | 23.9 |
| OPTION F                    | 16.6       | 23.9 |
| OPTION G                    | 18.4       | 22.0 |
| OPTIONS A, C, D W/CLIP-SLOT | 19.2       | 22.0 |
| OPTION B W/CLIP-SLOT        | 19.2       | 23.9 |



**SECTION A-A**  
TPA SHOWN IN THE  
PRE-STAGED POSITION

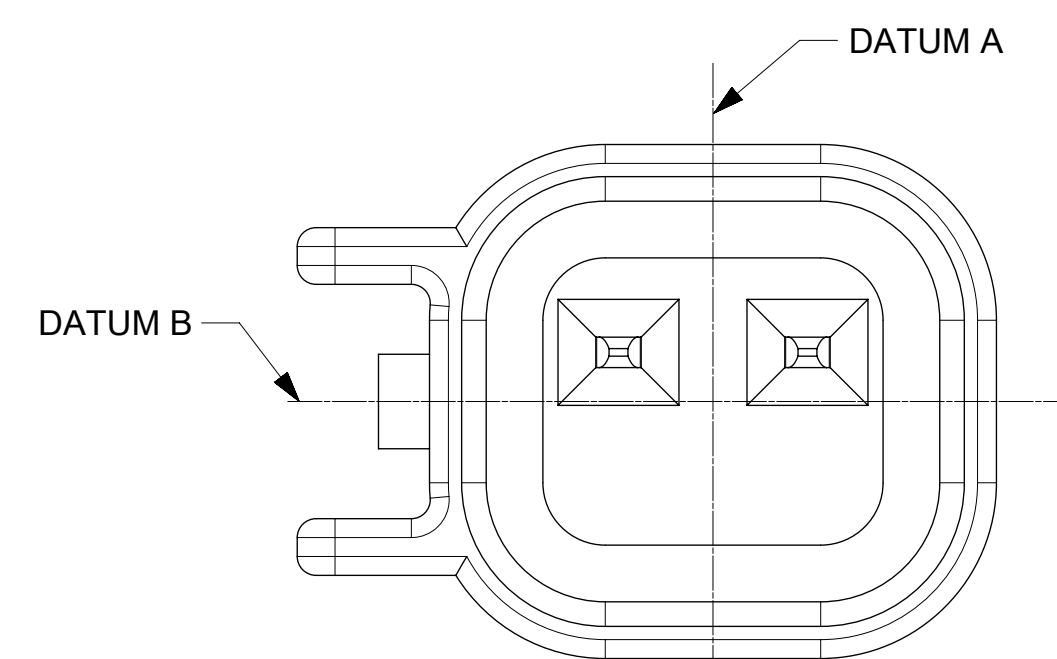


**SECTION B-B**  
TPA SHOWN IN  
FINAL-LOCK POSITION

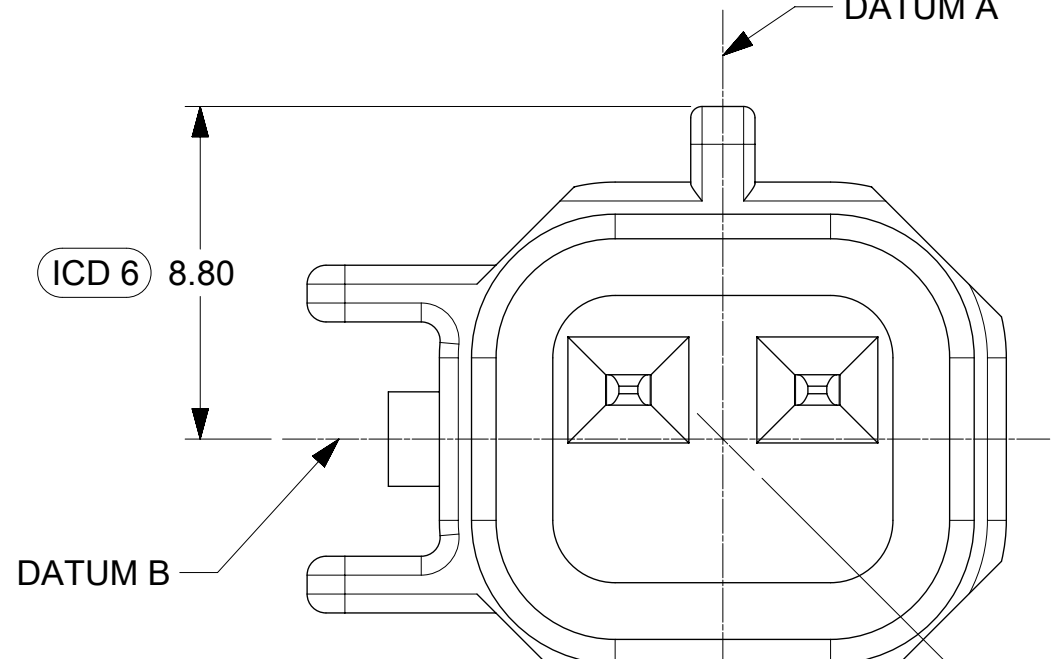
|   |  |                          |  |              |                        |  |   |  |  |  |  |
|---|--|--------------------------|--|--------------|------------------------|--|---|--|--|--|--|
| THIS DRAWING CONTAINS INFORMATION THAT IS PROPRIETARY TO MOLEX ELECTRONIC TECHNOLOGIES, LLC AND SHOULD NOT BE USED WITHOUT WRITTEN PERMISSION |  |                          |  |              |                        |  |   |  |  |  |  |
| QUALITY SYMBOLS   | EC NO: 117955<br>DRWN: PKABBUR<br>CHKD:<br>REV: APPR: KDEKOSKI | 2017/05/15<br>2017/06/14 | GENERAL TOLERANCES (UNLESS SPECIFIED)                |              | DIMENSION UNITS        | SCALE  | <b>molex</b><br><br>MX150 2 WAY CABLE SEAL<br>RECEPTACLE CONN. SYSTEM (5.0MM PITCH) |  |  |  |  |
|   |  |                          | ANGULAR TOL ± 3.0 °                                  |              | MM                     | 4:1  |   |  |  |  |  |
| ▽ = 0   |  |                          | 4 PLACES ±   | DRWN BY      | DATE                   | PRODUCT CUSTOMER DRAWING                       |   |  |  |  |  |
| ▽ = 0   |  |                          | 3 PLACES ±   | KCUNNINGHAM  | 2011/11/08             |  |   |  |  |  |  |
| ▽ = 0   |  |                          | 2 PLACES ± 0.1                                       | CHKD BY      | DATE                   | SERIES MATERIAL NUMBER CUSTOMER                |   |  |  |  |  |
| ▽ = 0   |  |                          | 1 PLACE ± 0.3  | MVANSLAMBROU | 1/26/2012              |  |   |  |  |  |  |
| ▽ = 0   |  |                          | 0 PLACES ±   | APPR BY      | DATE                   | DOCUMENT NUMBER DOC TYPE DOC PART SHEET NUMBER |   |  |  |  |  |
| ▽ = 0   |  |                          | DRAFT WHERE APPLICABLE MUST REMAIN WITHIN DIMENSIONS | KDEKOSKI     | 2017/06/14             |  |   |  |  |  |  |
| ▽ = 0   |  |                          |  | DRAWING SIZE | THIRD ANGLE PROJECTION | 34062 SEE NOTE 2a GENERAL MARKET               |   |  |  |  |  |
| ▽ = 0   |  |                          |  | D            |                        |  |   |  |  |  |  |
|   |  |                          |  |              |                        | SD-34062-002 PSD 000 4 OF 5                    |   |  |  |  |  |

| RELEASE STATUS | RELEASE DATE |
|----------------|--------------|
|                |              |

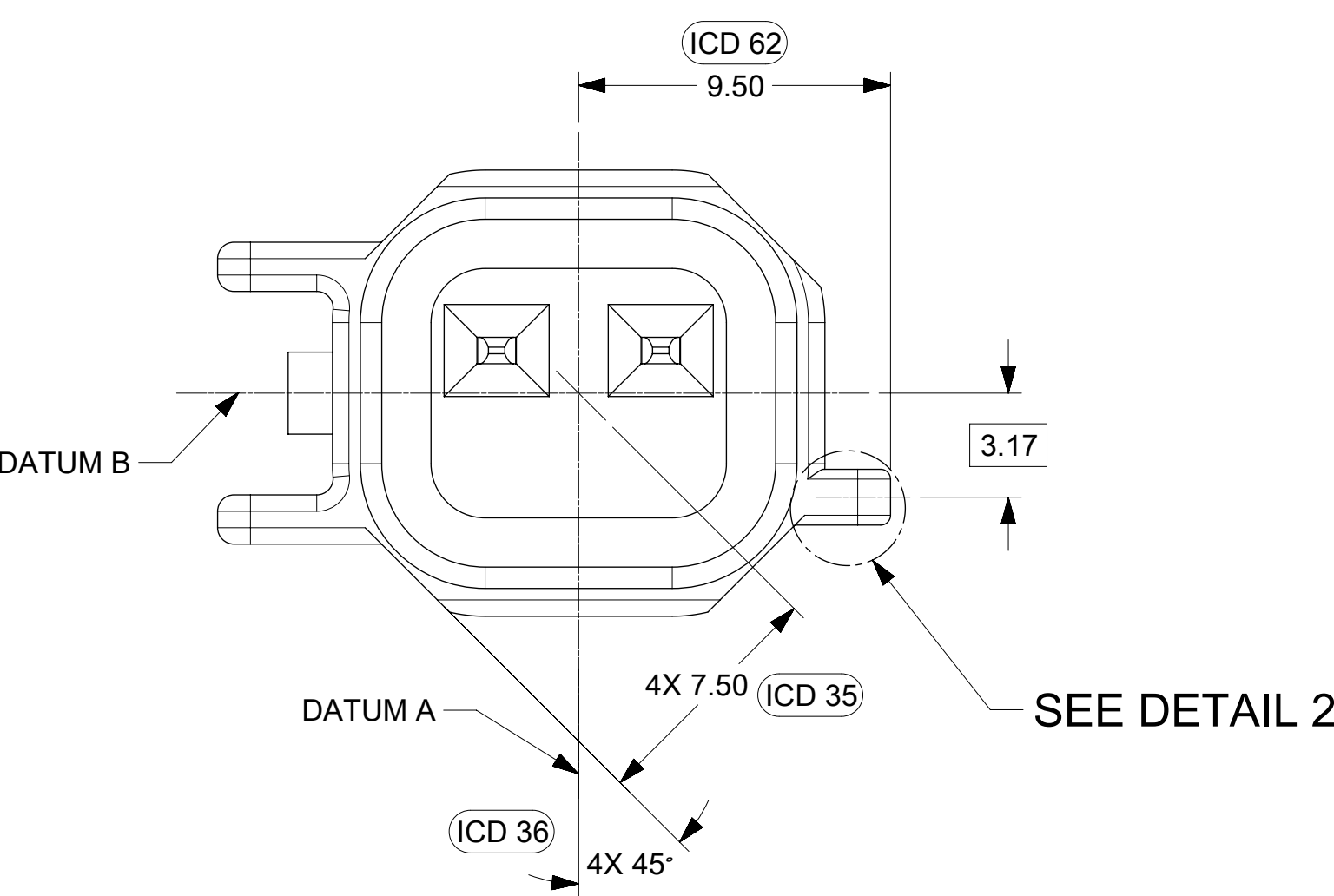




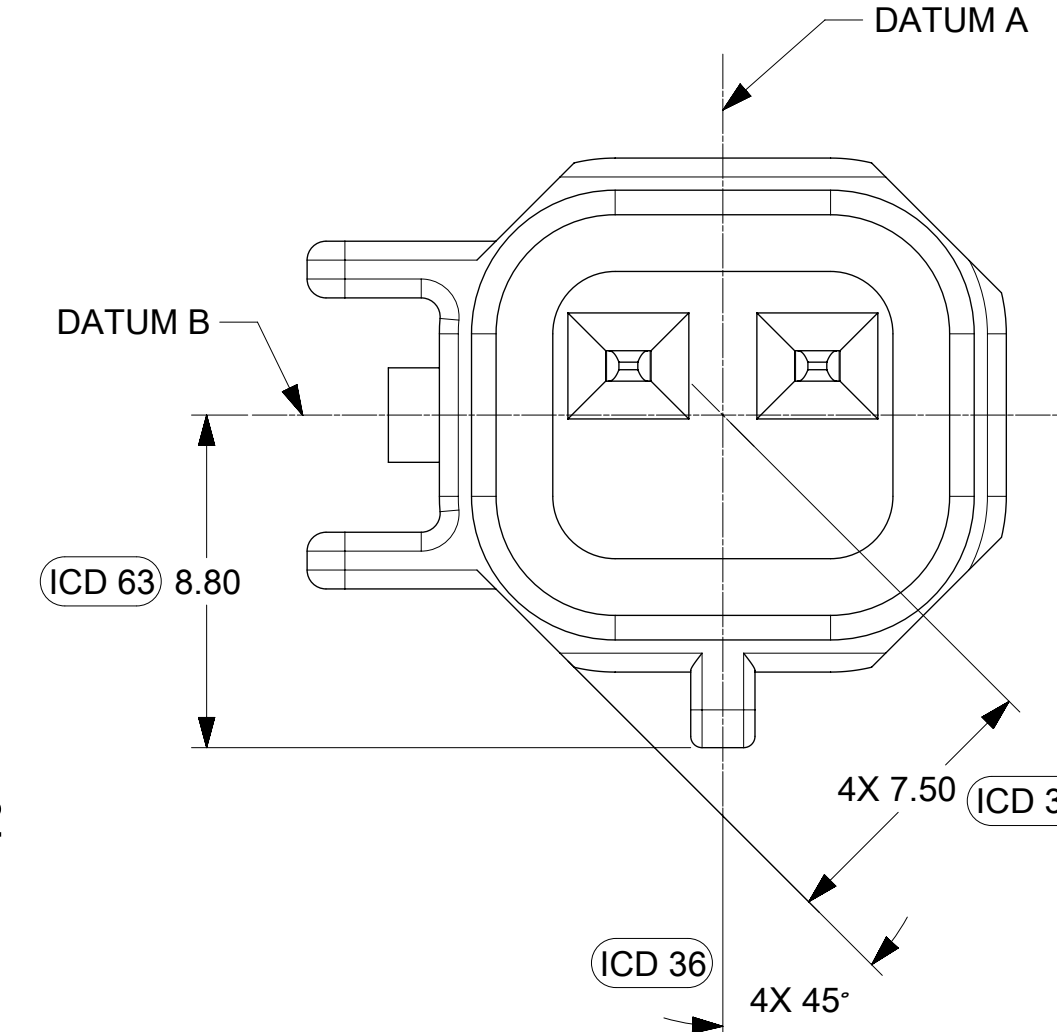
OPTIONS A, C, D  
(SAME INTERFACE)



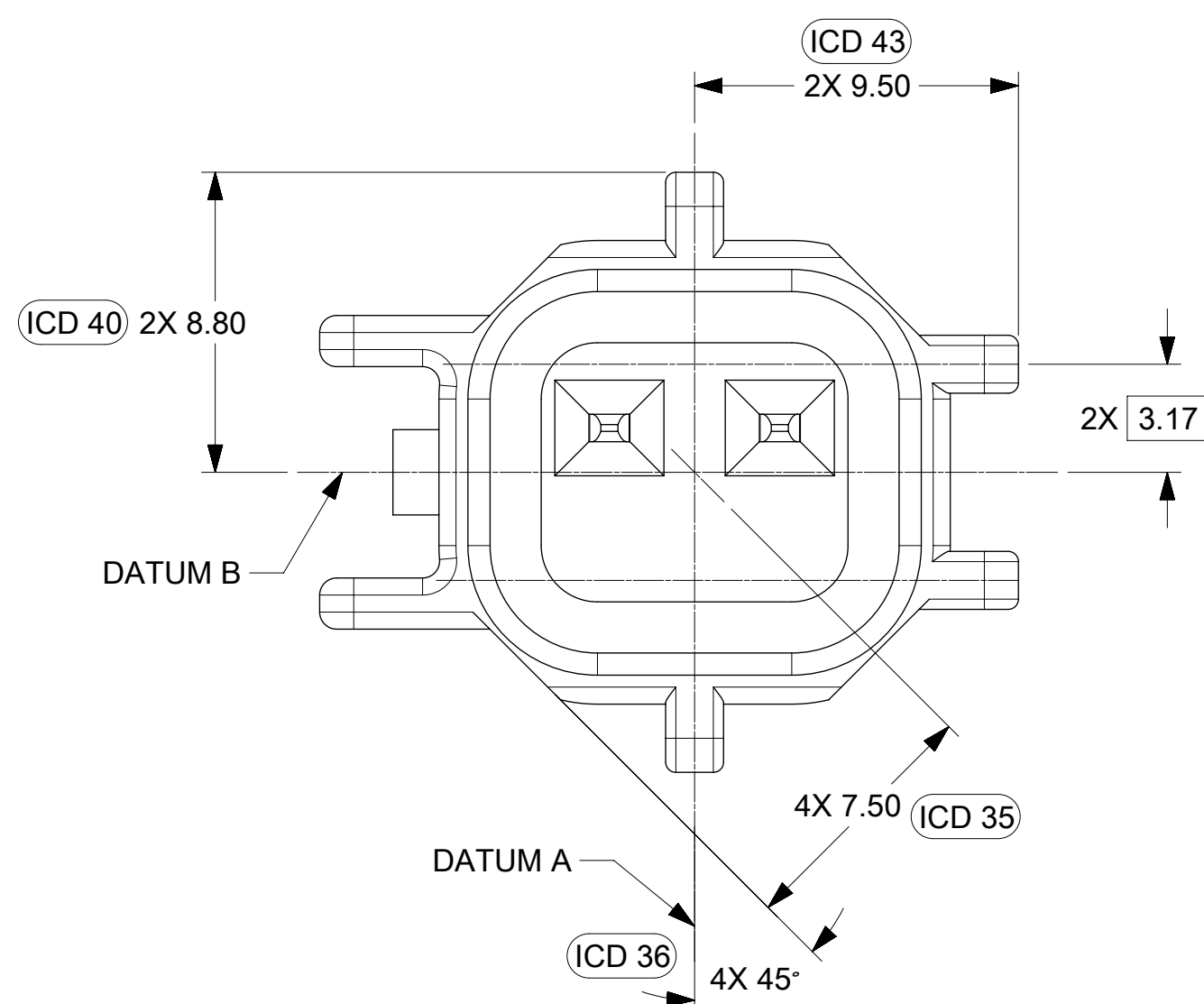
OPTION G



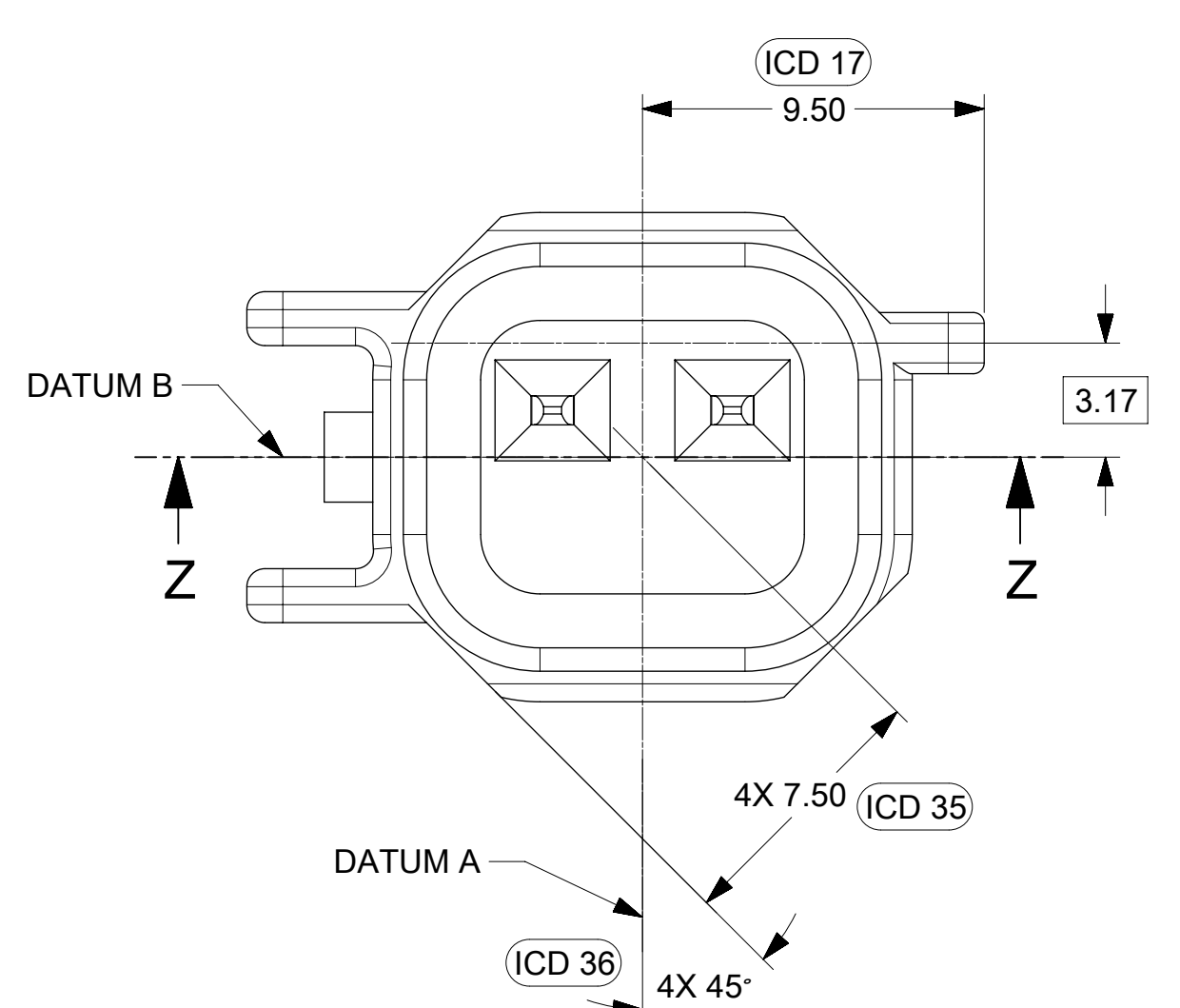
OPTION B



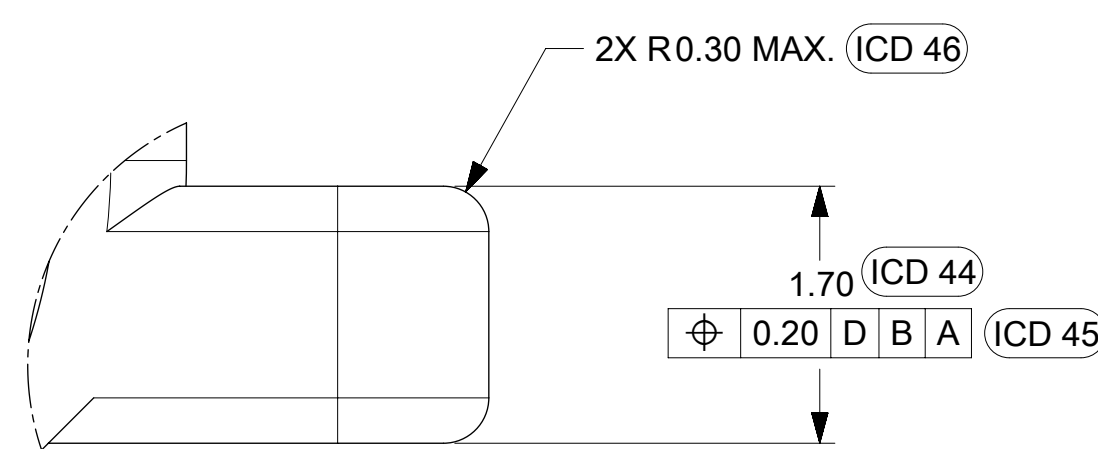
OPTION H



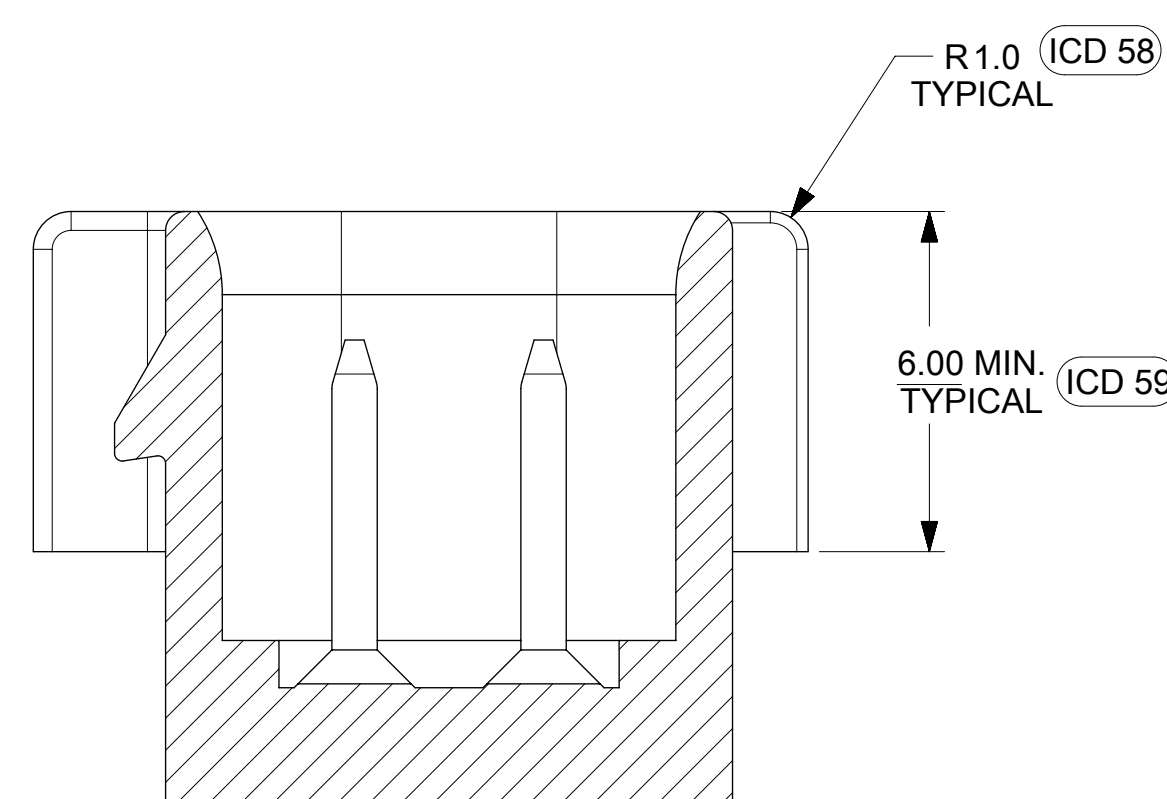
OPTION E



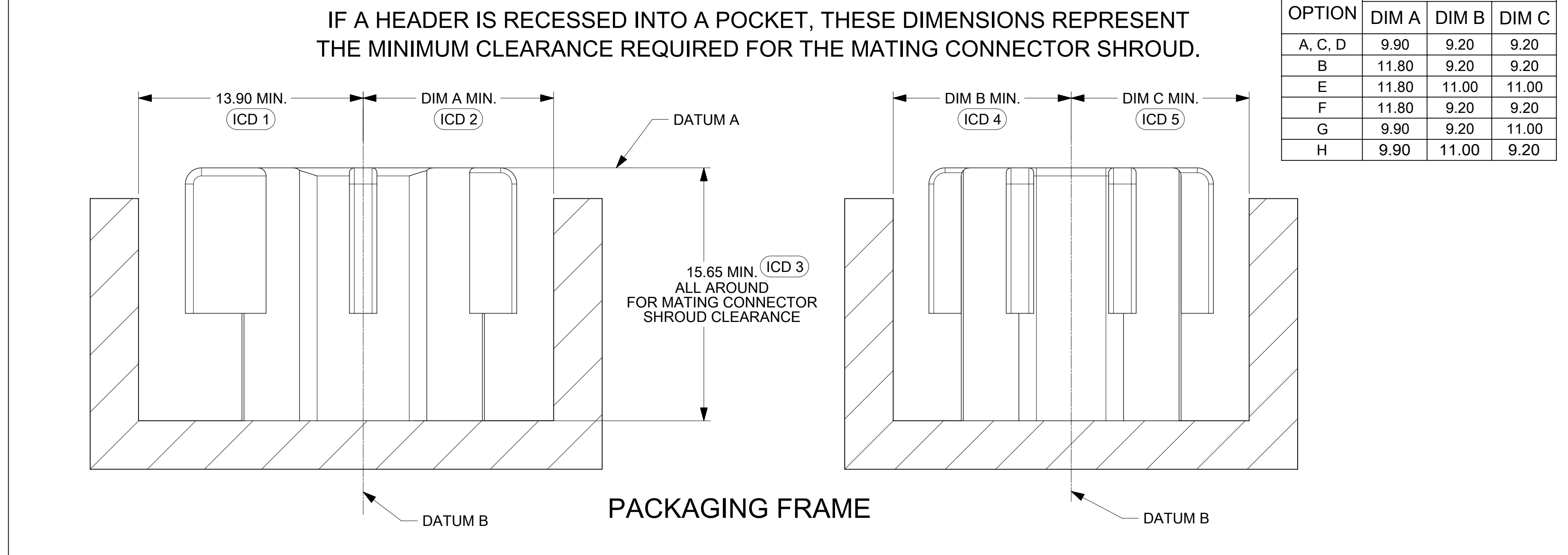
OPTION F



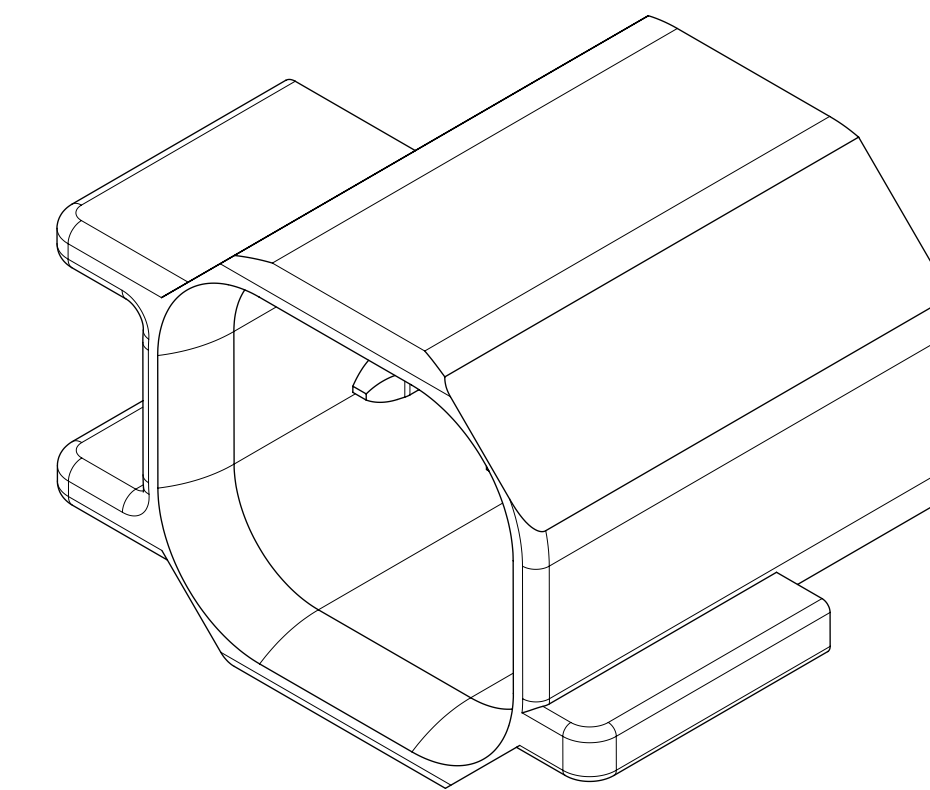
DETAIL 2  
SCALE 20:1  
TYPICAL  
SEE KEYING OPTIONS VIEWS FOR POSITIONS



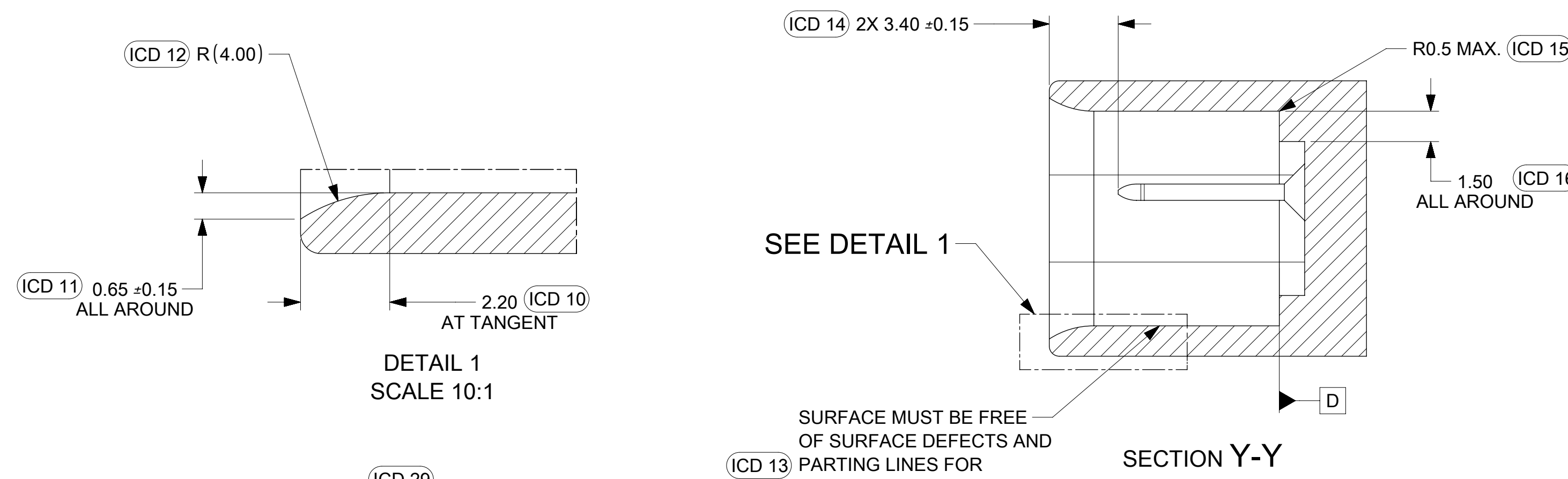
SECTION Z-Z  
SEE KEYING OPTION VIEWS FOR POSITIONS



| KEY OPTION | DIMENSIONS |       |       |
|------------|------------|-------|-------|
|            | DIM A      | DIM B | DIM C |
| A, C, D    | 9.90       | 9.20  | 9.20  |
| B          | 11.80      | 9.20  | 9.20  |
| E          | 11.80      | 11.00 | 11.00 |
| F          | 11.80      | 9.20  | 9.20  |
| G          | 9.90       | 9.20  | 11.00 |
| H          | 9.90       | 11.00 | 9.20  |

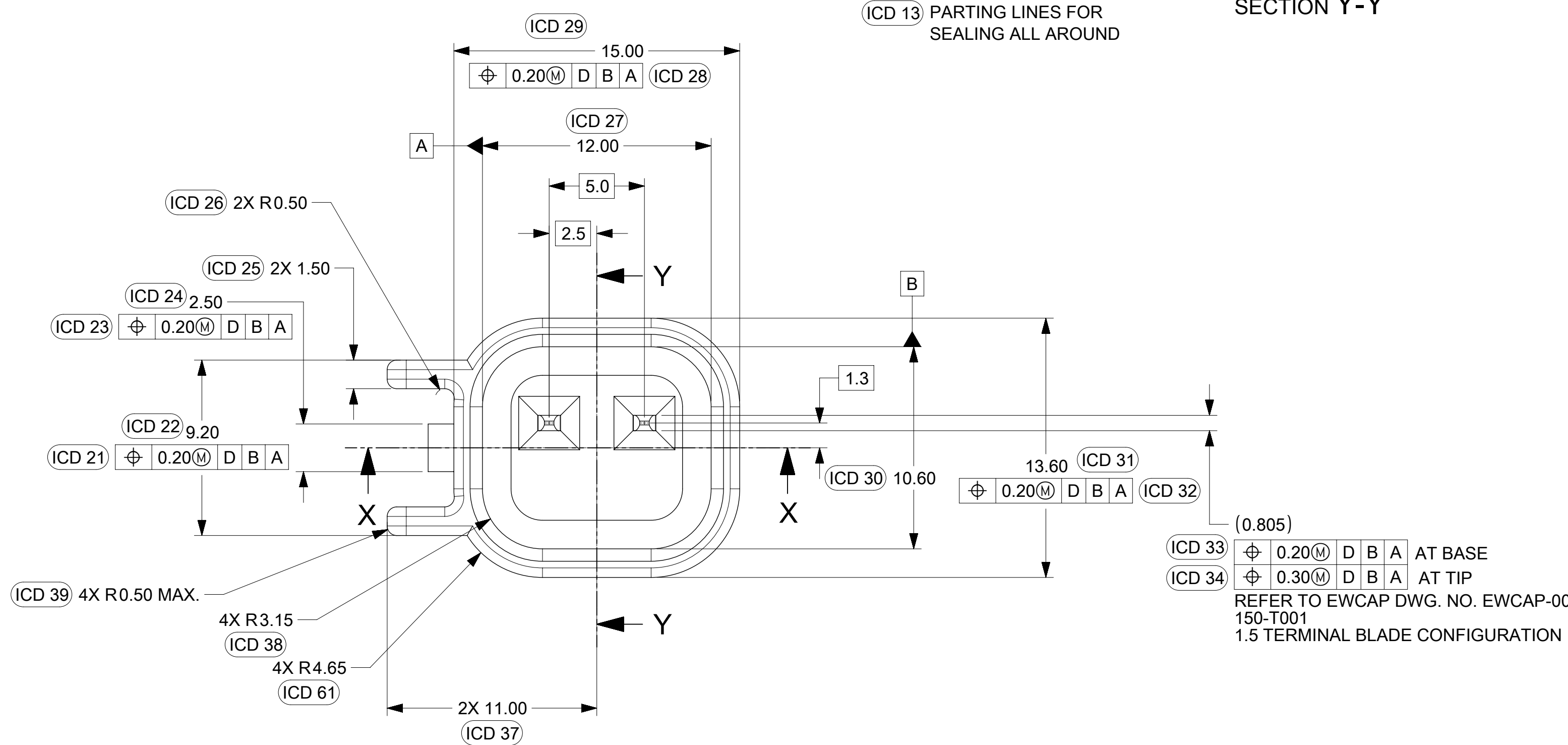


OPTION B



DETAIL 1  
SCALE 10:1

SECTION Y-Y



SECTION X-X

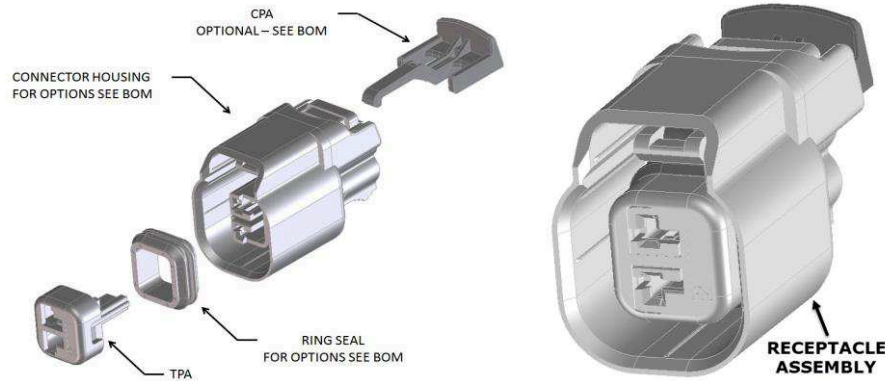
NOTES: UNLESS OTHERWISE SPECIFIED

- ALL DIMENSIONS SHOWN IN MILLIMETERS.
- DIMENSIONING AND TOLERANCING PER ASME Y14.5M-1994
- 0.25 RADIUS ON ALL CORNERS SHOWN SHARP.
- UNSPECIFIED RADIUS: 0.25 EXCEPT AS NOTED.
- STANDARD COLORS FOR POLARIZATION (SEE CHART). DEVIATION REQUIRES APPROVAL OF AUTHORIZED PERSON.
- REFER TO SAE/USCAR 12 CONNECTOR GUIDELINES FOR ADDITIONAL REQUIREMENTS.
- EXCEPT WHERE NOTED, DRAFT ON OUTSIDE SURFACES IS PERMISSIBLE WITHIN TOLERANCE.
- SYMBOL INDICATES DRAFT DIRECTION.
- FOR TERMINAL MATERIAL, DIMENSIONAL, AND COATING REQUIREMENTS AND ANY BLADE TERMINAL DESIGN INFORMATION NOT SHOWN ON THIS DRAWING SEE EWCAP DWG. NO. EWCAP-001
- A FULL SHROUD ON THE MATING CONNECTOR IS REQUIRED TO ENSURE THAT THE CONNECTOR-HEADER POLARIZATION FEATURES (OPTIONS A THRU H) WILL FUNCTION. THE FULL SHROUD ALSO PREVENTS SCOOP DAMAGE TO THE HEADER PINS. REFER TO SAE/USCAR-12 CONNECTOR DESIGN GUIDE LINES FOR ADDITIONAL INFORMATION.
- REFER TO USCAR/EWCAP PART LIST AS FOUND ON WEBSITE <http://www.uscarteams.org>
- THIS IS A 100% CAD GENERATED PART. THE CAD MATHEMATICAL DATA IS THE MASTER FOR THIS PART. FOR DIMENSIONAL OR ANY INFORMATION NOT SHOWN ON THIS DRAWING, ANALYZE THE CAD MODEL.

| QUALITY SYMBOLS |                 | THIS DRAWING CONTAINS INFORMATION THAT IS PROPRIETARY TO MOLEX ELECTRONIC TECHNOLOGIES, LLC AND SHOULD NOT BE USED WITHOUT WRITTEN PERMISSION |              | DIMENSION UNITS |                        | SCALE  |  |        |                 |          |       |     |                |                 |          |          |              |              |     |     |        |
|-----------------|-----------------|---|--------------|-----------------|------------------------|--|--|--------|-----------------|----------|-------|-----|----------------|-----------------|----------|----------|--------------|--------------|-----|-----|--------|
| △ = 0           | □ = 0           | 2017/05/15  | 2017/06/14   | MM              | 5:1                    | <p><b>MX150 2 WAY CABLE SEAL<br/>RECEPTACLE CONN. SYSTEM (5.0MM PITCH)</b></p> <p>PRODUCT CUSTOMER DRAWING</p> <table border="1"> <tr> <td>SERIES</td> <td>MATERIAL NUMBER</td> <td>CUSTOMER</td> </tr> <tr> <td>34062</td> <td>N/A</td> <td>GENERAL MARKET</td> </tr> <tr> <td>DOCUMENT NUMBER</td> <td>DOC TYPE</td> <td>DOC PART</td> <td>SHEET NUMBER</td> </tr> <tr> <td>SD-34062-002</td> <td>PSD</td> <td>000</td> <td>5 OF 5</td> </tr> </table> |  | SERIES | MATERIAL NUMBER | CUSTOMER | 34062 | N/A | GENERAL MARKET | DOCUMENT NUMBER | DOC TYPE | DOC PART | SHEET NUMBER | SD-34062-002 | PSD | 000 | 5 OF 5 |
| SERIES          | MATERIAL NUMBER | CUSTOMER  |              |                 |                        |  |  |        |                 |          |       |     |                |                 |          |          |              |              |     |     |        |
| 34062           | N/A             | GENERAL MARKET  |              |                 |                        |  |  |        |                 |          |       |     |                |                 |          |          |              |              |     |     |        |
| DOCUMENT NUMBER | DOC TYPE        | DOC PART  | SHEET NUMBER |                 |                        |  |  |        |                 |          |       |     |                |                 |          |          |              |              |     |     |        |
| SD-34062-002    | PSD             | 000   | 5 OF 5       |                 |                        |  |  |        |                 |          |       |     |                |                 |          |          |              |              |     |     |        |
| ▽ = 0           | ◇ = 0           | GENERAL TOLERANCES (UNLESS SPECIFIED)   |              | DATE            |                        |  |  |        |                 |          |       |     |                |                 |          |          |              |              |     |     |        |
| ◇ = 0           | ◇ = 0           | ANGULAR TOL ± 3.0 °   |              | DATE            |                        |  |  |        |                 |          |       |     |                |                 |          |          |              |              |     |     |        |
| ◇ = 0           | ◇ = 0           | 4 PLACES ±  | KUNNINGHAM   |                 | 2011/11/08             |  |  |        |                 |          |       |     |                |                 |          |          |              |              |     |     |        |
| ◇ = 0           | ◇ = 0           | 3 PLACES ±  | CHK'D BY     |                 | DATE                   |  |  |        |                 |          |       |     |                |                 |          |          |              |              |     |     |        |
| ◇ = 0           | ◇ = 0           | 2 PLACES ± 0.1  | MVANSLAMBROU |                 | 1/26/2012              |  |  |        |                 |          |       |     |                |                 |          |          |              |              |     |     |        |
| ◇ = 0           | ◇ = 0           | 1 PLACE ± 0.3   | APPR BY      |                 | DATE                   |  |  |        |                 |          |       |     |                |                 |          |          |              |              |     |     |        |
| ◇ = 0           | ◇ = 0           | 0 PLACES ±  | KDEKOSKI     |                 | 2017/06/14             |  |  |        |                 |          |       |     |                |                 |          |          |              |              |     |     |        |
| ◇ = 0           | ◇ = 0           | DRAFT WHERE APPLICABLE MUST REMAIN WITHIN DIMENSIONS  |              | DRAWING SIZE    | THIRD ANGLE PROJECTION |  |  |        |                 |          |       |     |                |                 |          |          |              |              |     |     |        |
| ◇ = 0           | ◇ = 0           | J19   |              | E               | ⊕ ⊖                    |  |  |        |                 |          |       |     |                |                 |          |          |              |              |     |     |        |

| OPTION         | COLOR        | SIMILAR TO AFL DRAWING R63461 (OPTION GEOMETRY IDENTICAL) | COMMENTS   |
|----------------|--------------|---|--|
| A, C, D        | BLACK        | A   |  |
| B              | LIGHT GRAY   | B   |  |
| E              | BLACK        | E   | NOT RECOMMENDED<br>MATING CONNECTOR IS UNIVERSAL |
| F              | LIGHT GRAY   | D   |  |
| G              | BLACK        | C   |  |
| H              | LIGHT GRAY   | F   |  |
| RELEASE STATUS | RELEASE DATE |   |  |

MX150 2 WAY CABLE SEAL RECEPTACLE CONNECTION SYSTEM (5.0mm PITCH)  
BOM AND PIN OUT SHEET



| RECOMMENDED MATING DEVICE TABLE |                             |                      |   |
|---------------------------------|-----------------------------|----------------------|---|
| ABBREVIATION                    | DESCRIPTION                 | DRAWING INFORMATION  | ADDITIONAL INFORMATION  |
| 1                               | USCAR INTERFACE             | 150-S-002-1-Z01      | <a href="http://ewcap.uscar1.com.org">http://ewcap.uscar1.com.org</a> |
| 2                               | MOLEX INTERFACE             | SD-34062-002 SHEET 5 |   |
| 3                               | MOLEX INLINE MALE CONNECTOR | E-34675-001          |   |

| BOM/ APPLICABLE COMPONENTS TABLE |                                     |             |                                |  |
|----------------------------------|-------------------------------------|-------------|--------------------------------|--|
| ABBREVIATION                     | DESCRIPTION                         | COLOR       | MATERIAL                       |  |
| A-BLK                            | HOUSING OPTION A                    | BLACK       | PA6 GF30                       |  |
| B-LG                             | HOUSING OPTION B                    | LIGHT GRAY  | PA6 GF30                       |  |
| B-BLK                            | HOUSING OPTION B                    | BLACK       | PA6 GF30                       |  |
| C-BLK                            | HOUSING OPTION C                    | BLACK       | PA6 GF30                       |  |
| D-BLK                            | HOUSING OPTION D                    | BLACK       | PA6 GF30                       |  |
| D-LG                             | HOUSING OPTION D                    | LIGHT GRAY  | PA6 GF30                       |  |
| E-BLK                            | HOUSING OPTION E                    | BLACK       | PA6 GF30                       |  |
| F-LG                             | HOUSING OPTION F                    | LIGHT GRAY  | PA6 GF30                       |  |
| G-BLK                            | HOUSING OPTION G                    | BLACK       | PA6 GF30                       |  |
| A-BLK-CLIP                       | HOUSING OPTION A WITH CLIPSLOT      | BLACK       | PA6 GF30                       |  |
| B-LG-CLIP                        | HOUSING OPTION B WITH CLIPSLOT      | LIGHT GRAY  | PA6 GF30                       |  |
| B-BLK-CLIP                       | HOUSING OPTION B WITH CLIPSLOT      | BLACK       | PA6 GF30                       |  |
| C-BLK-CLIP                       | HOUSING OPTION C WITH CLIPSLOT      | BLACK       | PA6 GF30                       |  |
| D-BLK-CLIP                       | HOUSING OPTION D WITH CLIPSLOT      | BLACK       | PA6 GF30                       |  |
| D-LG-CLIP                        | HOUSING OPTION D WITH CLIPSLOT      | LIGHT GRAY  | PA6 GF30                       |  |
| A-BLK-SV                         | HOUSING OPTION A - SEVERE VIBRATION | BLACK       | PA6 GF30                       |  |
| C-BLK-SV                         | HOUSING OPTION C - SEVERE VIBRATION | BLACK       | PA6 GF30                       |  |
| D-BLK-SV                         | HOUSING OPTION D - SEVERE VIBRATION | BLACK       | PA6 GF30                       |  |
| R3                               | RING SEAL TEMP. CLASS 3             | MEDIUM BLUE | INHERENTLY LUBRICATED SILICONE |  |
| R4                               | RING SEAL TEMP. CLASS 4             | GREEN       | INHERENTLY LUBRICATED SILICONE |  |
| CPA                              | CPA                                 | RED         | PBT GF30                       |  |
| TPA                              | INSERT, TPA                         | NATURAL     | PBT GF30                       |  |

FOR ADDITIONAL INFORMATION SEE SD-34062-002

| ASSEMBLY DESCRIPTION                         | ASSEMBLY PART NUMBER | COMPONENT   |     |     |           | ASSEMBLY OPERATING TEMPERATURE | RECOMMENDED MATING DEVICE |   |   | PRODUCTION TOOL STATUS | COMMENTS                  |
|--|----------------------|---|-----|-----|-----------|--------------------------------|---------------------------|---|---|------------------------|---------------------------|
|  |                      | THE PRESENCE OF AN ABBREVIATION INDICATES THE PRESENCE OF THAT COMPONENT. |     |     |           |                                | 1                         | 2 | 3 |                        |                           |
|  |                      | HOUSING OPTION/COLOR  | TPA | CPA | RING SEAL |                                |                           |   |   |                        |                           |
| OPTION A, BLACK, W/O CPA                     | 34062-0021           | A-BLK   | TPA |     | R3        | -40° C TO 125° C               | 1                         | 2 |   | SALEABLE               |                           |
| OPTION B, LIGHT GRAY, W/O CPA                | 34062-0022           | B-LG  | TPA |     | R3        | -40° C TO 125° C               | 1                         | 2 | 3 | SALEABLE               | PREFERRED, FULLY SHROUDED |
| OPTION C, BLACK, W/O CPA                     | 34062-0023           | C-BLK   | TPA |     | R3        | -40° C TO 125° C               | 1                         | 2 | 3 | SALEABLE               | PREFERRED, FULLY SHROUDED |
| OPTION D, BLACK, W/O CPA                     | 34062-0024           | D-BLK   | TPA |     | R3        | -40° C TO 125° C               | 1                         | 2 |   | SALEABLE               |                           |
| OPTION D, LIGHT GRAY, W/O CPA                | 34062-0029           | D-LG  | TPA |     | R3        | -40° C TO 125° C               | 1                         | 2 |   | SALEABLE               |                           |
| OPTION A, BLACK, W/ CPA                      | 34062-0025           | A-BLK   | TPA | CPA | R3        | -40° C TO 125° C               | 1                         | 2 |   | SALEABLE               |                           |
| OPTION B, LIGHT GRAY, W/ CPA                 | 34062-0026           | B-LG  | TPA | CPA | R3        | -40° C TO 125° C               | 1                         | 2 | 3 | SALEABLE               | PREFERRED, FULLY SHROUDED |
| OPTION C, BLACK, W/ CPA                      | 34062-0027           | C-BLK   | TPA | CPA | R3        | -40° C TO 125° C               | 1                         | 2 | 3 | SALEABLE               | PREFERRED, FULLY SHROUDED |
| OPTION D, BLACK, W/ CPA                      | 34062-0028           | D-BLK   | TPA | CPA | R3        | -40° C TO 125° C               | 1                         | 2 |   | SALEABLE               |                           |
| OPTION D, LIGHT GRAY, W/ CPA                 | 34062-0030           | D-LG  | TPA | CPA | R3        | -40° C TO 125° C               | 1                         | 2 |   | SALEABLE               |                           |
| OPTION A, BLACK, WITH CLIPSLOT, W/O CPA      | 34062-0031           | A-BLK-CLIP  | TPA |     | R3        | -40° C TO 125° C               | 1                         | 2 |   | SALEABLE               |                           |
| OPTION B, LIGHT GRAY, WITH CLIPSLOT, W/O CPA | 34062-0032           | B-LG-CLIP   | TPA |     | R3        | -40° C TO 125° C               | 1                         | 2 | 3 | SALEABLE               | PREFERRED, FULLY SHROUDED |
| OPTION C, BLACK, WITH CLIPSLOT, W/O CPA      | 34062-0033           | C-BLK-CLIP  | TPA |     | R3        | -40° C TO 125° C               | 1                         | 2 | 3 | SALEABLE               | PREFERRED, FULLY SHROUDED |
| OPTION D, BLACK, WITH CLIPSLOT, W/O CPA      | 34062-0034           | D-BLK-CLIP  | TPA |     | R3        | -40° C TO 125° C               | 1                         | 2 |   | SALEABLE               |                           |
| OPTION D, LIGHT GRAY, WITH CLIPSLOT, W/O CPA | 34062-0035           | D-LG-CLIP   | TPA |     | R3        | -40° C TO 125° C               | 1                         | 2 |   | SALEABLE               |                           |
| OPTION A, BLACK, WITH CLIPSLOT, W/ CPA       | 34062-0036           | A-BLK-CLIP  | TPA | CPA | R3        | -40° C TO 125° C               | 1                         | 2 |   | SALEABLE               |                           |
| OPTION B, LIGHT GRAY, WITH CLIPSLOT, W/ CPA  | 34062-0037           | B-LG-CLIP   | TPA | CPA | R3        | -40° C TO 125° C               | 1                         | 2 | 3 | SALEABLE               | PREFERRED, FULLY SHROUDED |
| OPTION C, BLACK, WITH CLIPSLOT, W/ CPA       | 34062-0038           | C-BLK-CLIP  | TPA | CPA | R3        | -40° C TO 125° C               | 1                         | 2 | 3 | SALEABLE               | PREFERRED, FULLY SHROUDED |
| OPTION D, BLACK, WITH CLIPSLOT, W/ CPA       | 34062-0039           | D-BLK-CLIP  | TPA | CPA | R3        | -40° C TO 125° C               | 1                         | 2 |   | SALEABLE               |                           |
| OPTION D, LIGHT GRAY, WITH CLIPSLOT, W/ CPA  | 34062-0040           | D-LG-CLIP   | TPA | CPA | R3        | -40° C TO 125° C               | 1                         | 2 |   | SALEABLE               |                           |
| OPTION A, BLACK, SEVERE VIBRATION, W/ CPA    | 34062-4006           | A-BLK-SV  | TPA | CPA | R4        | -40° C TO 155° C               | 1                         | 2 |   | SALEABLE               |                           |
| OPTION C, BLACK, SEVERE VIBRATION, W/ CPA    | 34062-4008           | C-BLK-SV  | TPA | CPA | R4        | -40° C TO 155° C               | 1                         | 2 |   | SALEABLE               | PREFERRED, FULLY SHROUDED |
| OPTION D, BLACK, SEVERE VIBRATION, W/ CPA    | 34062-4009           | D-BLK-SV  | TPA | CPA | R4        | -40° C TO 155° C               | 1                         | 2 |   | SALEABLE               |                           |
| OPTION E, BLACK, W/O CPA                     | 34062-0041           | E-BLK   | TPA |     | R4        | -40° C TO 155° C               | 1                         | 2 |   | SALEABLE               | PREFERRED, FULLY SHROUDED |
| OPTION F, LIGHT GRAY, W/O CPA                | 34062-0042           | F-LG  | TPA |     | R4        | -40° C TO 155° C               | 1                         | 2 |   | SALEABLE               | PREFERRED, FULLY SHROUDED |
| OPTION G, BLACK, W/O CPA                     | 34062-0043           | G-BLK   | TPA |     | R4        | -40° C TO 155° C               | 1                         | 2 |   | SALEABLE               | PREFERRED, FULLY SHROUDED |
| OPTION E, BLACK, W/ CPA                      | 34062-0044           | E-BLK   | TPA | CPA | R4        | -40° C TO 155° C               | 1                         | 2 |   | SALEABLE               | PREFERRED, FULLY SHROUDED |
| OPTION F, LIGHT GRAY, W/ CPA                 | 34062-0045           | F-LG  | TPA | CPA | R4        | -40° C TO 155° C               | 1                         | 2 |   | SALEABLE               | PREFERRED, FULLY SHROUDED |
| OPTION G, BLACK, W/ CPA                      | 34062-0046           | G-BLK   | TPA | CPA | R4        | -40° C TO 155° C               | 1                         | 2 |   | SALEABLE               | PREFERRED, FULLY SHROUDED |
| OPTION A, BLACK, W/ CPA                      | 34062-0047           | A-BLK   | TPA | CPA | R3        | -40° C TO 125° C               | 1                         | 2 |   | SALEABLE               |                           |
| OPTION B, LIGHT GRAY, W/O CPA                | 34062-0048           | B-LG  | TPA |     | R4        | -40° C TO 155° C               | 1                         | 2 | 3 | SALEABLE               | PREFERRED, FULLY SHROUDED |
| OPTION C, BLACK, W/O CPA                     | 34062-0049           | C-BLK   | TPA |     | R4        | -40° C TO 155° C               | 1                         | 2 | 3 | SALEABLE               | PREFERRED, FULLY SHROUDED |
| OPTION B, LIGHT GRAY, W/ CPA                 | 34062-0050           | B-LG  | TPA | CPA | R4        | -40° C TO 155° C               | 1                         | 2 | 3 | SALEABLE               | PREFERRED, FULLY SHROUDED |
| OPTION C, BLACK, W/ CPA                      | 34062-0051           | C-BLK   | TPA | CPA | R4        | -40° C TO 155° C               | 1                         | 2 | 3 | SALEABLE               | PREFERRED, FULLY SHROUDED |
| OPTION B, LIGHT GRAY, WITH CLIPSLOT, W/O CPA | 34062-0052           | B-LG-CLIP   | TPA |     | R4        | -40° C TO 155° C               | 1                         | 2 | 3 | SALEABLE               | PREFERRED, FULLY SHROUDED |
| OPTION C, BLACK, WITH CLIPSLOT, W/O CPA      | 34062-0053           | C-BLK-CLIP  | TPA |     | R4        | -40° C TO 155° C               | 1                         | 2 | 3 | SALEABLE               | PREFERRED, FULLY SHROUDED |
| OPTION B, LIGHT GRAY, WITH CLIPSLOT, W/ CPA  | 34062-0054           | B-LG-CLIP   | TPA | CPA | R4        | -40° C TO 155° C               | 1                         | 2 | 3 | SALEABLE               | PREFERRED, FULLY SHROUDED |
| OPTION C, BLACK, WITH CLIPSLOT, W/ CPA       | 34062-0055           | C-BLK-CLIP  | TPA | CPA | R4        | -40° C TO 155° C               | 1                         | 2 | 3 | SALEABLE               | PREFERRED, FULLY SHROUDED |
| OPTION C, BLACK, SEVERE VIBRATION, W/O CPA   | 34062-4003           | C-BLK-SV  | TPA |     | R4        | -40° C TO 155° C               | 1                         | 2 |   | SALEABLE               | PREFERRED, FULLY SHROUDED |
| OPTION D, BLACK, SEVERE VIBRATION, W/O CPA   | 34062-4004           | D-BLK-SV  | TPA |     | R4        | -40° C TO 155° C               | 1                         | 2 |   | SALEABLE               |                           |
| OPTION D, BLACK, WITH CLIPSLOT, W/ CPA       | 34062-0056           | D-BLK-CLIP  | TPA | CPA | R4        | -40° C TO 155° C               | 1                         | 2 |   | SALEABLE               |                           |
| OPTION A, BLACK, WITH CLIPSLOT, W/ CPA       | 34062-0057           | A-BLK-CLIP  | TPA | CPA | R3        | -40° C TO 125° C               | 1                         | 2 |   | SALEABLE               |                           |
| OPTION B, BLACK, W/O CPA                     | 34062-0058           | B-BLK   | TPA |     | R3        | -40° C TO 125° C               | 1                         | 2 | 3 | SALEABLE               | PREFERRED, FULLY SHROUDED |
| OPTION B, BLACK, W/ CPA                      | 34062-0059           | B-BLK   | TPA | CPA | R3        | -40° C TO 125° C               | 1                         | 2 | 3 | SALEABLE               | PREFERRED, FULLY SHROUDED |
| OPTION B, BLACK, WITH CLIPSLOT, W/O CPA      | 34062-0060           | B-BLK-CLIP  | TPA |     | R3        | -40° C TO 125° C               | 1                         | 2 | 3 | SALEABLE               | PREFERRED, FULLY SHROUDED |
| OPTION B, BLACK, WITH CLIPSLOT, W/ CPA       | 34062-0061           | B-BLK-CLIP  | TPA | CPA | R3        | -40° C TO 125° C               | 1                         | 2 | 3 | SALEABLE               | PREFERRED, FULLY SHROUDED |