

MATERIALS AND FINISHES:

MCX PLUG R/A CONNECTOR:

BODY, CAP: BRASS
PLATED NICKEL

CENTER CONTACT: BRASS
PLATED GOLD

NOTES:

PACKAGING BY PLASTIC BAG

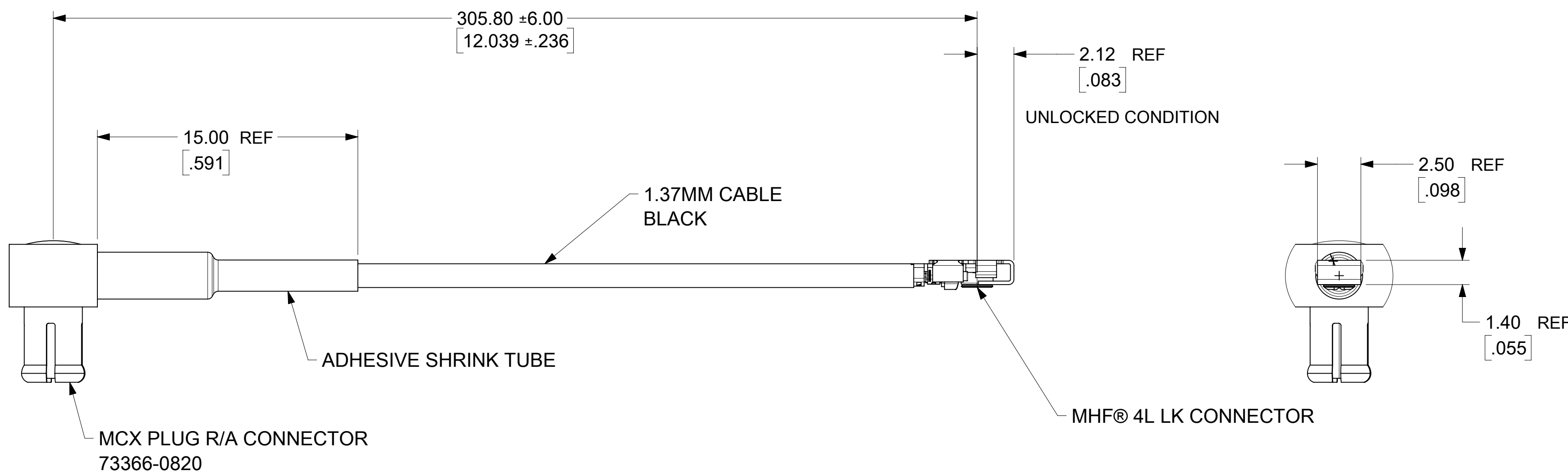
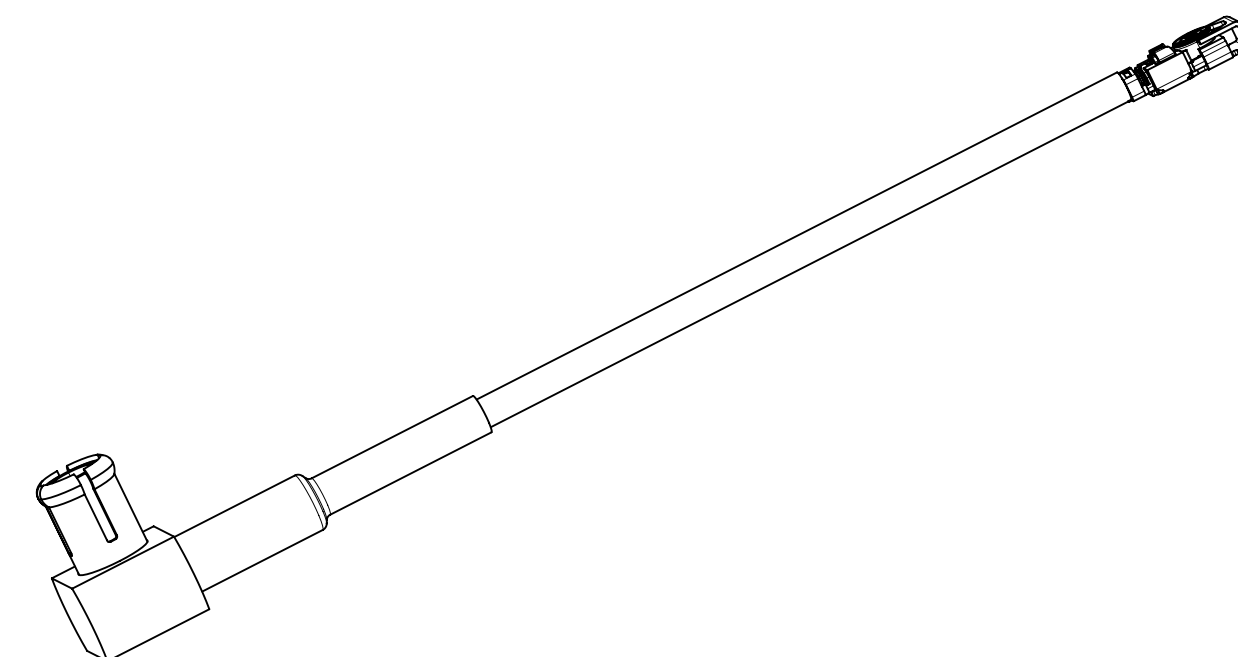
CONNECTOR:

MHF® 4L LK CONNECTOR

CABLE: 1.37MM CABLE BLACK

PERFORMANCE REQUIRMENTS:

1. FREQUENCY: DC~ 6GHz
2. IMPEDANCE: 50 OHMS
3. TEST 100% CONTINUITY
4. TEST 100% HI-POT: AC 350 V@0.5mA



PART # 73230-6260

THIS DRAWING CONTAINS INFORMATION THAT IS PROPRIETARY TO MOLEX ELECTRONIC TECHNOLOGIES, LLC AND SHOULD NOT BE USED WITHOUT WRITTEN PERMISSION											
FUNCTIONAL SYMBOLS	DIMENSION UNITS	SCALE	CURRENT REV DESC:								
$\nabla_A = 0$	mm	NTS	EC NO: 721426								
$\nabla_C = 0$	GENERAL TOLERANCES (UNLESS SPECIFIED)		DRWN: MYLU07 2022/07/27								
$\nabla_P = 0$	ANGULAR TOL ± °		CHK'D: YHUANG11 2022/09/21								
DIVISIONAL SYMBOLS	4 PLACES	±	APPR: LCHEN03 2022/09/22								
	3 PLACES	±	INITIAL REVISION:								
	2 PLACES	±	DRWN: MYLU07 2022/07/27								
	1 PLACE	±	APPR: LCHEN03 2022/09/22								
	0 PLACES	±	DRAFT WHERE APPLICABLE MUST REMAIN WITHIN DIMENSIONS		THIRD ANGLE PROJECTION	DRAWING	SERIES	MATERIAL NUMBER	CUSTOMER	DOC TYPE DOC PART REVISION	
						C-SIZE	73230	73230-6260	GENERAL MARKET	PSD 000 A	
DOCUMENT STATUS			P1	RELEASE DATE	2022/09/22	07:56:06					
12	11	10	9	8	7	6	5	4	3	2	1

molex

CA, MCX PLUG R/A 50 OHMS TO MHF® 4L LK WITH 1.37MM CABLE EWR#15309-A

PRODUCT CUSTOMER DRAWING

DOCUMENT NUMBER: 732306260

DOC TYPE: PSD

DOC PART: 000

REVISION: A

SHEET NUMBER: 1 OF 1