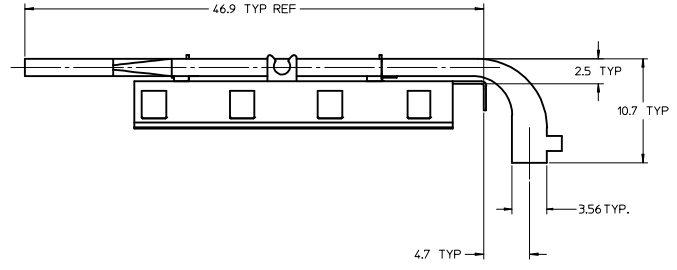
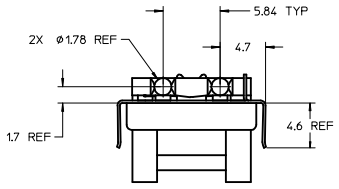
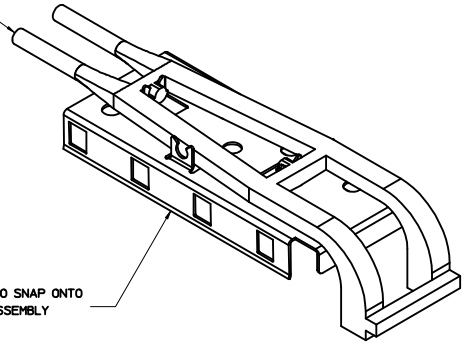


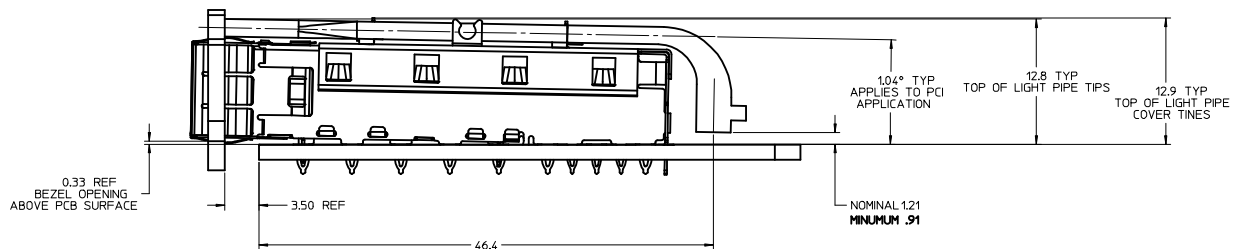
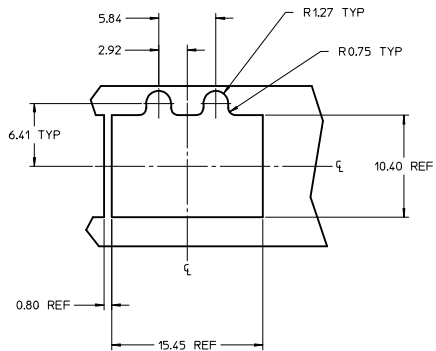
LIGHT PIPES SECURED TO METAL CAGE COVER

COVER DESIGNED TO SNAP ONTO THE SFP+ CAGE ASSEMBLY

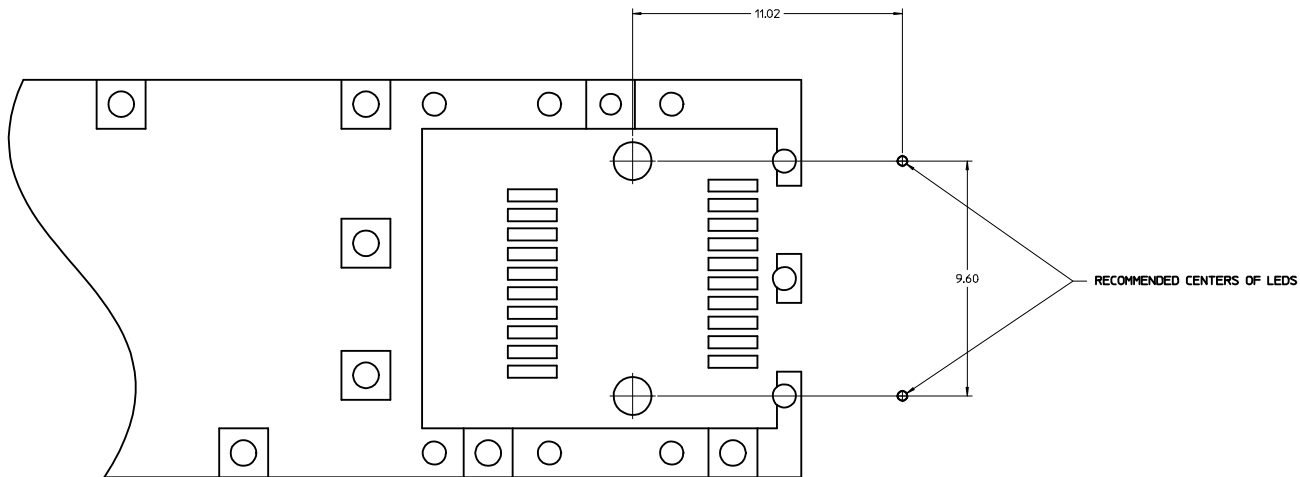
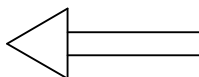


- MATERIAL:**  
COVER: COPPER ALLOY  
LIGHT PIPE: POLYCARBONATE (94-V0 RATED)
- THIS LIGHT PIPE ASSEMBLY IS TO BE USED WITH THE SFP+ 1X CAGE ASSEMBLY P/N 7475401\*\*
- IT IS RECOMMENDED THAT THE CAGE BE PRESSED INTO OR SOLDERED TO THE PCB PRIOR TO ASSEMBLING THE LIGHT PIPE ASSEMBLY.
- THIS PART MEETS THE RESTRICTION OF HAZARDOUS SUBSTANCES IN ELECTRICAL AND ELECTRONIC EQUIPMENT (RoHS) DIRECTIVE (2002/95/EC)

INITIAL RELEASE IEC NO: USY2010-0091 DRAWN BY: DRWN:ARINKE 2009/08/25 CHYKDA:JOHNSTON 2009/08/25 APPR:K.JANOTA 2009/08/26	QUALITY SYMBOLS	GENERAL TOLERANCES (UNLESS SPECIFIED)	DIMENSION STYLE	SCALE	DESIGN UNITS	THIRD ANGLE PROJECTION																		
	▼=0 ▽=0	<table border="1"> <thead> <tr> <th></th> <th>mm</th> <th>INCH</th> </tr> </thead> <tbody> <tr> <td>4 PLACES</td> <td>±---</td> <td>±---</td> </tr> <tr> <td>3 PLACES</td> <td>±---</td> <td>±---</td> </tr> <tr> <td>2 PLACES</td> <td>±0.15</td> <td>±---</td> </tr> <tr> <td>1 PLACE</td> <td>±0.25</td> <td>±---</td> </tr> <tr> <td colspan="3">ANGULAR ± 1°</td> </tr> </tbody> </table>		mm	INCH	4 PLACES	±---	±---	3 PLACES	±---	±---	2 PLACES	±0.15	±---	1 PLACE	±0.25	±---	ANGULAR ± 1°			MM ONLY DRAWN BY: ARINKE DATE: 2009.08.21 CHECKED BY: ARINKE DATE: 2009.08.24 APPROVED BY: KJANOTA DATE: 2009.08.24	4:1	METRIC	TITLE: SFP+ 1X1 LIGHT PIPE ASSY ULTRA LOW PROFILE BACK TOP, FOR PCI APP
		mm	INCH																					
	4 PLACES	±---	±---																					
3 PLACES	±---	±---																						
2 PLACES	±0.15	±---																						
1 PLACE	±0.25	±---																						
ANGULAR ± 1°																								
DRAFT WHERE APPLICABLE MUST REMAIN WITHIN DIMENSIONS	MATERIAL NO: 747540013 SIZE: D	MOLEX INCORPORATED DOCUMENT NO: SD-74754-0013	SHEET NO: 1 OF 3																					
THIS DRAWING CONTAINS INFORMATION THAT IS PROPRIETARY TO MOLEX INCORPORATED AND SHOULD NOT BE USED WITHOUT WRITTEN PERMISSION																								



HOST PCB EDGE NEAREST SFP+ CAGE OPENING



HOST PCB LAYOUT NOTES (SCALE 10:1)

1. LED SHOULD BE PLACED RELATIVE TO THE SFP+ CONNECTOR POST HOLES
2. LAYOUT APPLIES TO EACH PORT

<b>INITIAL RELEASE</b> IEC NO. USY2010-0091 DRAWN BY CHYKDA-JHNSON 2009/08/25 APPR:K.JANOTA 2009/08/26	QUALITY SYMBOLS	GENERAL TOLERANCES (UNLESS SPECIFIED)	DIMENSION STYLE	SCALE	DESIGN UNITS	THIRD ANGLE PROJECTION
	▽=0 ▽=0	mm INCH 4 PLACES ± --- ± --- 3 PLACES ± --- ± --- 2 PLACES ± 0.15 ± --- 1 PLACE ± 0.25 ± --- ANGULAR ± 1°	MM ONLY	4:1	METRIC	
	DRAWN BY DATE ARI INKE 2009.08.24 CHECKED BY DATE ARI INKE 2009.08.24 APPROVED BY DATE K.JANOTA 2009.08.24	MATERIAL NO. <b>747540013</b>	TITLE <b>SFP+ 1X1 LIGHT PIPE ASSY                  ULTRA LOW PROFILE                  BACK TOP, FOR PCI APP</b>	MOLEX INCORPORATED	SHEET NO. 2 OF 3	
	DRAFT WHERE APPLICABLE MUST REMAIN WITHIN DIMENSIONS	DOCUMENT NO. <b>SD-74754-0013</b>	THIS DRAWING CONTAINS INFORMATION THAT IS PROPRIETARY TO MOLEX INCORPORATED AND SHOULD NOT BE USED WITHOUT WRITTEN PERMISSION			

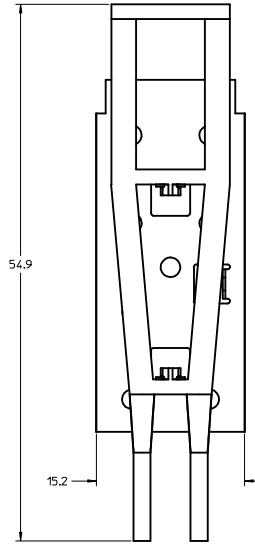
20 19 18 17 16 15 14 13 12 11 10 9 8 7 6 5 4 3 2 1

M  
L  
K  
J  
I  
H  
G  
F  
E  
D  
C  
B  
A

DATE	REV	DESCRIPTION
2009/08/24	A	INITIAL RELEASE

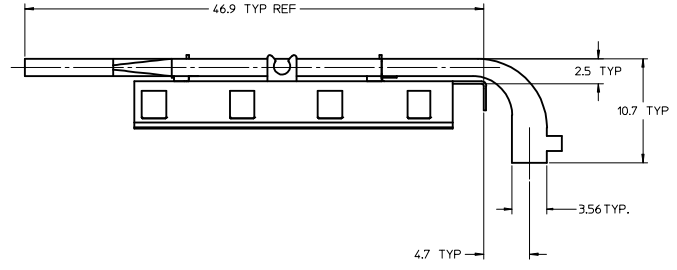
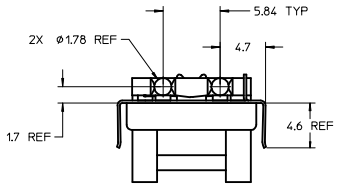
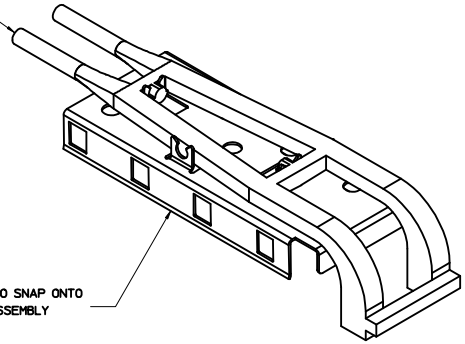
<b>INITIAL RELEASE</b> IEC NO: USY2010-0091 DRAWN BY: AR INKE 2009/08/25 CHYKDAJHNSTON 2009/08/25 APPR: KJANOTA 2009/08/26	QUALITY SYMBOLS ▽=0 ▽=0	GENERAL TOLERANCES (UNLESS SPECIFIED)		DIMENSION STYLE <b>MM ONLY</b>	SCALE <b>4:1</b>	DESIGN UNITS <b>METRIC</b>	THIRD ANGLE PROJECTION		
		4 PLACES ± --- ± --- 3 PLACES ± --- ± --- 2 PLACES ± 0.15 ± --- 1 PLACE ± 0.25 ± ---	mm INCH	DRAWN BY AR INKE	DATE 2009.08.24	TITLE SFP+ 1X1 LIGHT PIPE ASSY ULTRA LOW PROFILE BACK TOP, FOR PCI APP			
		DRAFT WHERE APPLICABLE MUST REMAIN WITHIN DIMENSIONS		CHECKED BY AR INKE	DATE 2009.08.24	APPROVED BY KJANOTA	DATE 2009.08.24	MATERIAL NO. <b>747540013</b>	DOCUMENT NO. <b>SD-74754-0013</b>
		SHEET NO. 3 OF 3		THIS DRAWING CONTAINS INFORMATION THAT IS PROPRIETARY TO MOLEX INCORPORATED AND SHOULD NOT BE USED WITHOUT WRITTEN PERMISSION					

19 18 17 16 15 14 13 12 11 10 9 8 7 6 5 4 3 2 1



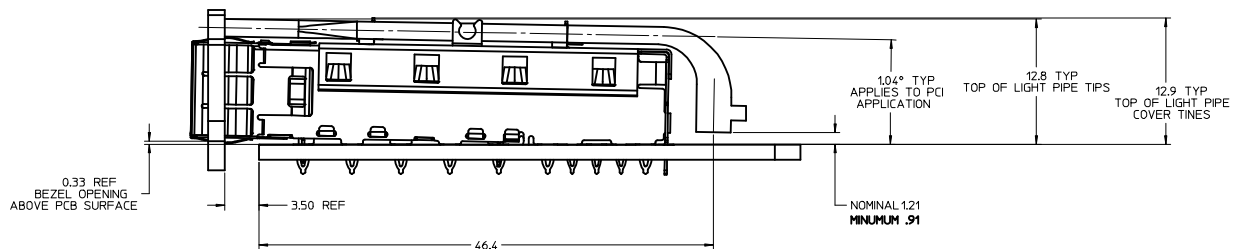
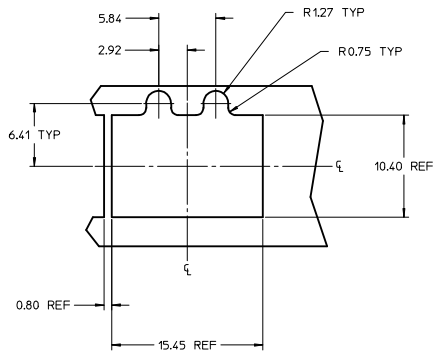
LIGHT PIPES SECURED TO METAL CAGE COVER

COVER DESIGNED TO SNAP ONTO THE SFP+ CAGE ASSEMBLY

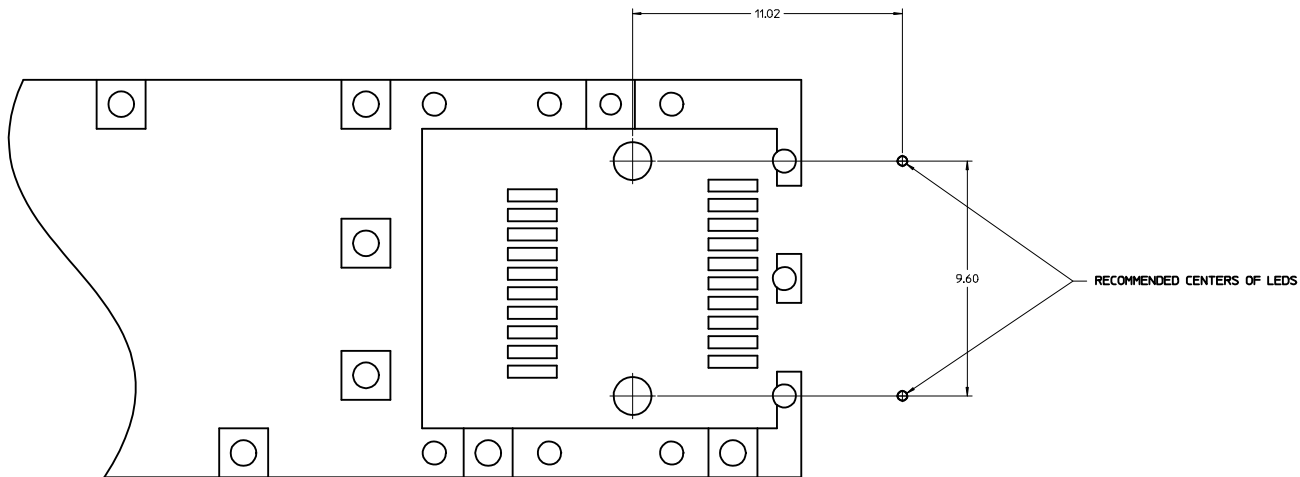
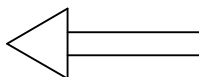


- MATERIAL:**  
COVER: COPPER ALLOY  
LIGHT PIPE: POLYCARBONATE (94-V0 RATED)
- THIS LIGHT PIPE ASSEMBLY IS TO BE USED WITH THE SFP+ 1X CAGE ASSEMBLY P/N 7475401\*\*
- IT IS RECOMMENDED THAT THE CAGE BE PRESSED INTO OR SOLDERED TO THE PCB PRIOR TO ASSEMBLING THE LIGHT PIPE ASSEMBLY.
- THIS PART MEETS THE RESTRICTION OF HAZARDOUS SUBSTANCES IN ELECTRICAL AND ELECTRONIC EQUIPMENT (RoHS) DIRECTIVE (2002/95/EC)

<b>INITIAL RELEASE</b> IEC NO: USY2010-0091 DRAWN BY: DRWN:ARINKE 2009/08/25 CHK'D BY: CHYKDA:JOHNSTON 2009/08/25 APPR'D BY: APPR:K:KANOTA 2009/08/26	QUALITY SYMBOLS	GENERAL TOLERANCES (UNLESS SPECIFIED)	DIMENSION STYLE	SCALE	DESIGN UNITS	THIRD ANGLE PROJECTION															
	▼=0 ▽=0	<table border="1"> <tr> <th></th> <th>mm</th> <th>INCH</th> </tr> <tr> <td>4 PLACES</td> <td>±---</td> <td>±---</td> </tr> <tr> <td>3 PLACES</td> <td>±---</td> <td>±---</td> </tr> <tr> <td>2 PLACES</td> <td>±0.15</td> <td>±---</td> </tr> <tr> <td>1 PLACE</td> <td>±0.25</td> <td>±---</td> </tr> </table> ANGULAR ± 1°		mm	INCH	4 PLACES	±---	±---	3 PLACES	±---	±---	2 PLACES	±0.15	±---	1 PLACE	±0.25	±---	MM ONLY DRAWN BY: ARINKE DATE: 2009.08.21 CHECKED BY: ARINKE DATE: 2009.08.24 APPROVED BY: KJANOTA DATE: 2009.08.24	4:1	METRIC	TITLE: SFP+ 1X1 LIGHT PIPE ASSY ULTRA LOW PROFILE BACK TOP, FOR PCI APP
		mm	INCH																		
	4 PLACES	±---	±---																		
3 PLACES	±---	±---																			
2 PLACES	±0.15	±---																			
1 PLACE	±0.25	±---																			
DRAFT WHERE APPLICABLE MUST REMAIN WITHIN DIMENSIONS	MATERIAL NO: 747540013 SIZE: D	MOLEX INCORPORATED DOCUMENT NO: SD-74754-0013	SHEET NO: 1 OF 3																		
THIS DRAWING CONTAINS INFORMATION THAT IS PROPRIETARY TO MOLEX INCORPORATED AND SHOULD NOT BE USED WITHOUT WRITTEN PERMISSION																					



HOST PCB EDGE NEAREST SFP+ CAGE OPENING



HOST PCB LAYOUT NOTES (SCALE 10:1)

1. LED SHOULD BE PLACED RELATIVE TO THE SFP+ CONNECTOR POST HOLES
2. LAYOUT APPLIES TO EACH PORT

INITIAL RELEASE IEC NO. USY2010-0091 DRAWN BY CHYKDA-JHNSON 2009/08/25 APPR: K.JANOTA 2009/08/26	QUALITY SYMBOLS	GENERAL TOLERANCES (UNLESS SPECIFIED)	DIMENSION STYLE	SCALE	DESIGN UNITS	THIRD ANGLE PROJECTION
	▽=0 ▽=0	mm INCH 4 PLACES ± --- ± --- 3 PLACES ± --- ± --- 2 PLACES ± 0.15 ± --- 1 PLACE ± 0.25 ± --- ANGULAR ± 1°	MM ONLY	4:1	METRIC	
	DRAWN BY DATE ARI INKE 2009.08.24 CHECKED BY DATE ARI INKE 2009.08.24 APPROVED BY DATE K.JANOTA 2009.08.24	TITLE SFP+ 1X1 LIGHT PIPE ASSY ULTRA LOW PROFILE BACK TOP, FOR PCI APP		MATERIAL NO. 747540013	DOCUMENT NO. SD-74754-0013	SHEET NO. 2 OF 3
	DRAFT WHERE APPLICABLE MUST REMAIN WITHIN DIMENSIONS	THIS DRAWING CONTAINS INFORMATION THAT IS PROPRIETARY TO MOLEX INCORPORATED AND SHOULD NOT BE USED WITHOUT WRITTEN PERMISSION				

20 19 18 17 16 15 14 13 12 11 10 9 8 7 6 5 4 3 2 1

M  
L  
K  
J  
I  
H  
G  
F  
E  
D  
C  
B  
A

DATE	REV	DESCRIPTION
2009/08/24	A	INITIAL RELEASE

<b>INITIAL RELEASE</b> IEC NO: USY2010-0091 DRAWN BY: AR INKE 2009/08/25 CHYKDAJHNSTON 2009/08/25 APPR: KJANOTA 2009/08/26 REV DESCRIPTION	QUALITY SYMBOLS ▽=0 ▽=0	GENERAL TOLERANCES (UNLESS SPECIFIED) <table border="1"> <tr> <th></th> <th>mm</th> <th>INCH</th> </tr> <tr> <td>4 PLACES</td> <td>± .005</td> <td>± .0002</td> </tr> <tr> <td>3 PLACES</td> <td>± .002</td> <td>± .0001</td> </tr> <tr> <td>2 PLACES</td> <td>± 0.15</td> <td>± .005</td> </tr> <tr> <td>1 PLACE</td> <td>± 0.25</td> <td>± .010</td> </tr> </table> ANGULAR ± 1°		mm	INCH	4 PLACES	± .005	± .0002	3 PLACES	± .002	± .0001	2 PLACES	± 0.15	± .005	1 PLACE	± 0.25	± .010	DIMENSION STYLE <b>MM ONLY</b>	SCALE <b>4:1</b>	DESIGN UNITS <b>METRIC</b>	THIRD ANGLE PROJECTION 
		mm	INCH																		
	4 PLACES	± .005	± .0002																		
	3 PLACES	± .002	± .0001																		
2 PLACES	± 0.15	± .005																			
1 PLACE	± 0.25	± .010																			
DRAWN BY: AR INKE DATE: 2009.08.24	CHECKED BY: AR INKE DATE: 2009.08.24	APPROVED BY: KJANOTA DATE: 2009.08.24	MATERIAL NO: <b>747540013</b>	DOCUMENT NO: <b>SD-74754-0013</b>	TITLE <b>SFP+ 1X1 LIGHT PIPE ASSY                  ULTRA LOW PROFILE                  BACK TOP, FOR PCI APP</b>	SHEET NO. <b>3 OF 3</b>															
DRAFT WHERE APPLICABLE MUST REMAIN WITHIN DIMENSIONS			SIZE <b>D</b>	THIS DRAWING CONTAINS INFORMATION THAT IS PROPRIETARY TO MOLEX INCORPORATED AND SHOULD NOT BE USED WITHOUT WRITTEN PERMISSION			MOLEX MOLEX INCORPORATED														

19 18 17 16 15 14 13 12 11 10 9 8 7 6 5 4 3 2 1