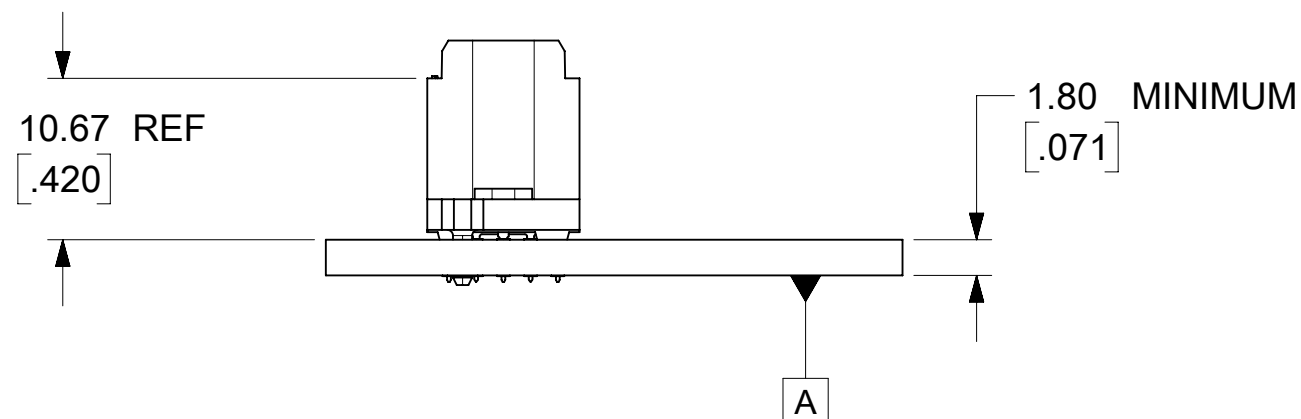
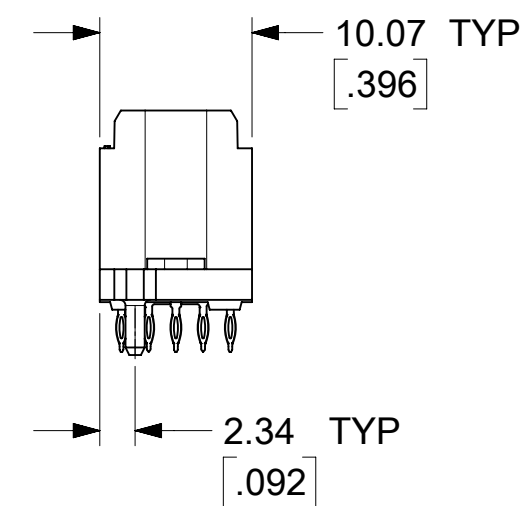
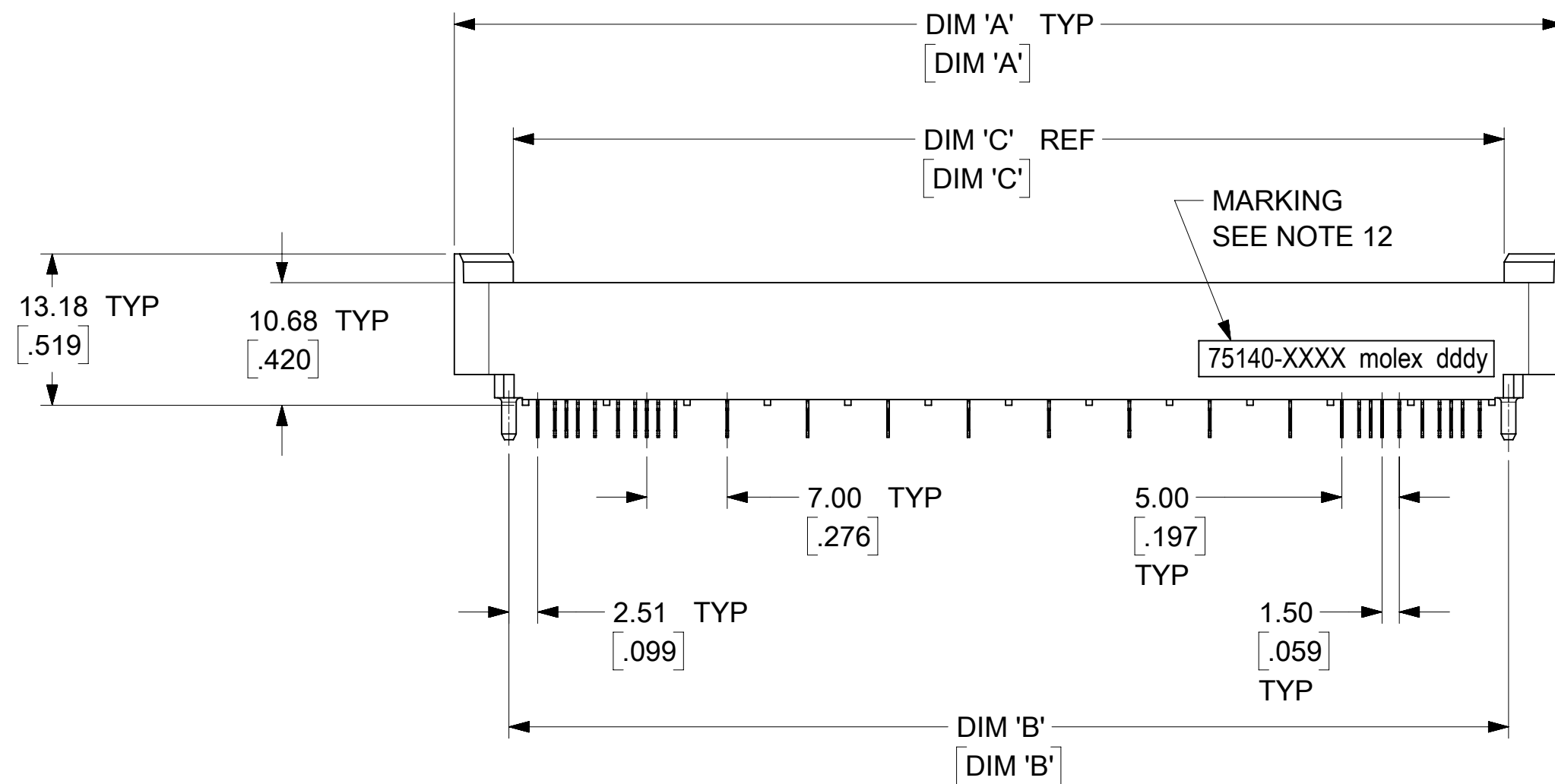


SEE NOTE 9

NOTES:

- 1) MATERIALS:
HOUSING - LIQUID CRYSTAL POLYMER, UL94 V-0
WAFER DIELECTRIC - LIQUID CRYSTAL POLYMER, UL94 V-0
CONTACT - COPPER ALLOY
- 2) FINISHES:
SEE SHEET 2
- 3) PRODUCT SPECIFICATION
THIS PART CONFORMS TO MOLEX SPECIFICATION PS-75018-001
- 4) PACKAGING SPECIFICATION
THIS PART TO BE PACKAGED PER SPECIFICATION PK-75020-005
- 5) APPLICATION SPECIFICATION
THIS PART TO BE APPLIED PER SPECIFICATION AS-75018-001
APPLICATION TOOL AND INSTRUCTIONS PER AS-75018-001
- 6) MATING INFORMATION
THIS PART MATES WITH 75019-XXXX.
WILL MATE WITH MAXIMUM 1.27mm MISALIGNMENT.
WILL MATE WITH MAXIMUM 0.5° ROTATION MISALIGNMENT.
- 7) FOR CIRCUIT DESIGNATION SEE SHEET 3
- 8) FOR PCB INFORMATION SEE SHEET 3
- 9) CIRCUITS IN THIS ZONE HAVE BEEN OMITTED TO SIMPLIFY THE MODEL. ACTUAL PRODUCT IS FULLY LOADED WITH TERMINALS.
- 10) APPLICATION TOOLING KEEP OUT AREA.
NO COMPONENTS ALLOWED IN THIS AREA.
- 11) CONFORMS TO MOLEX COSMETIC SPECIFICATION PS-45499-002 AND PS-45499-003 CLASS C.
- 12) MARKING: PART NUMBER, MOLEX LOGO, DATE CODE (dddy)
- 13) RECOMMENDED DRILL SIZE 0.66±0.03 TO YIELD FINISHED PLATED THROUGH HOLE 0.55±0.05



THIS DRAWING CONTAINS INFORMATION THAT IS PROPRIETARY TO MOLEX ELECTRONIC TECHNOLOGIES, LLC AND SHOULD NOT BE USED WITHOUT WRITTEN PERMISSION									
DIMENSION UNITS MM/INCH		SCALE 2:1		CURRENT REV DESC: OBSOLETE PART NUMBER				molex	
GENERAL TOLERANCES (UNLESS SPECIFIED)				EC NO: 655037					
		MM	INCH	DRWN: VLOKESHA		2021/01/08		HIGH SPEED DOCKING	
4 PLACES		±	±	CHK'D: GGA		2021/03/16		VERTICAL FIXED CONNECTOR NO GROUND FINGER	
3 PLACES		±	± 0.005	APPR: GGA		2021/03/16		PRODUCT CUSTOMER DRAWING	
2 PLACES		± 0.13	± 0.01	INITIAL REVISION:				DOCUMENT NUMBER	
1 PLACE		± 0.25	±	DRWN: MIBARRA		2009/05/20		SD-75140-005	
0 PLACES		±	±	APPR: SMILLER		2009/05/20		PSD 001 D1	
ANGULAR TOL		± 0.5 °		THIRD ANGLE PROJECTION		DRAWING		SERIES	
DRAFT WHERE APPLICABLE MUST REMAIN WITHIN DIMENSIONS				C-SIZE		75140		MATERIAL NUMBER	
								CUSTOMER	
								GENERAL MARKET	
								SHEET NUMBER	
								1 OF 3	

DOCUMENT STATUS	P1	RELEASE DATE	2021/03/16	13:03:16
-----------------	----	--------------	------------	----------

ITEM NUMBER	CIRCUIT SIZE	NO. OF COLUMNS 'N'	O/A LENGTH DIMENSION 'A' mm(in)	PEG TO PEG DIMENSION 'B' mm(in)	WALL TO WALL DIMENSION 'C' mm(in)	FIRST-LAST DIMENSION 'D' mm(in)	PLATING FINISH
75140-9012	144	48	96.5 (3.80)	87.00 (3.425)	86.32 (3.398)	82.00 (3.228)	FINISH 3

1) FINISHES:

FINISH 1: (PREVIOUSLY TIN-LEAD)

CONTACT INTERFACE

0.76 MICROMETERS MINIMUM SELECT GOLD

NICKEL UNDERPLATE OVERALL

COMPLIANT INTERFACE

0.76 MICROMETERS MINIMUM SELECT TIN OVER

NICKEL UNDERPLATE OVERALL

HOUSING

0.10 MICROMETERS MAXIMUM GOLD OVER

3.81 MICROMETERS MINIMUM NICKEL OVER

COPPER UNDERPLATE OVERALL

FINISH 2:

CONTACT INTERFACE

0.76 MICROMETERS MINIMUM SELECT GOLD

NICKEL UNDERPLATE OVERALL

COMPLIANT INTERFACE

0.76 MICROMETERS MINIMUM SELECT MATTE TIN

NICKEL UNDERPLATE OVERALL

HOUSING

0.10 MICROMETERS MAXIMUM GOLD OVER

3.81 MICROMETERS MINIMUM NICKEL OVER

COPPER UNDERPLATE OVERALL

FINISH 3:

CONTACT INTERFACE

0.76 MICROMETERS MINIMUM SELECT GOLD

NICKEL UNDERPLATE OVERALL

COMPLIANT INTERFACE

0.76 MICROMETERS MINIMUM SELECT MATTE TIN

NICKEL UNDERPLATE OVERALL

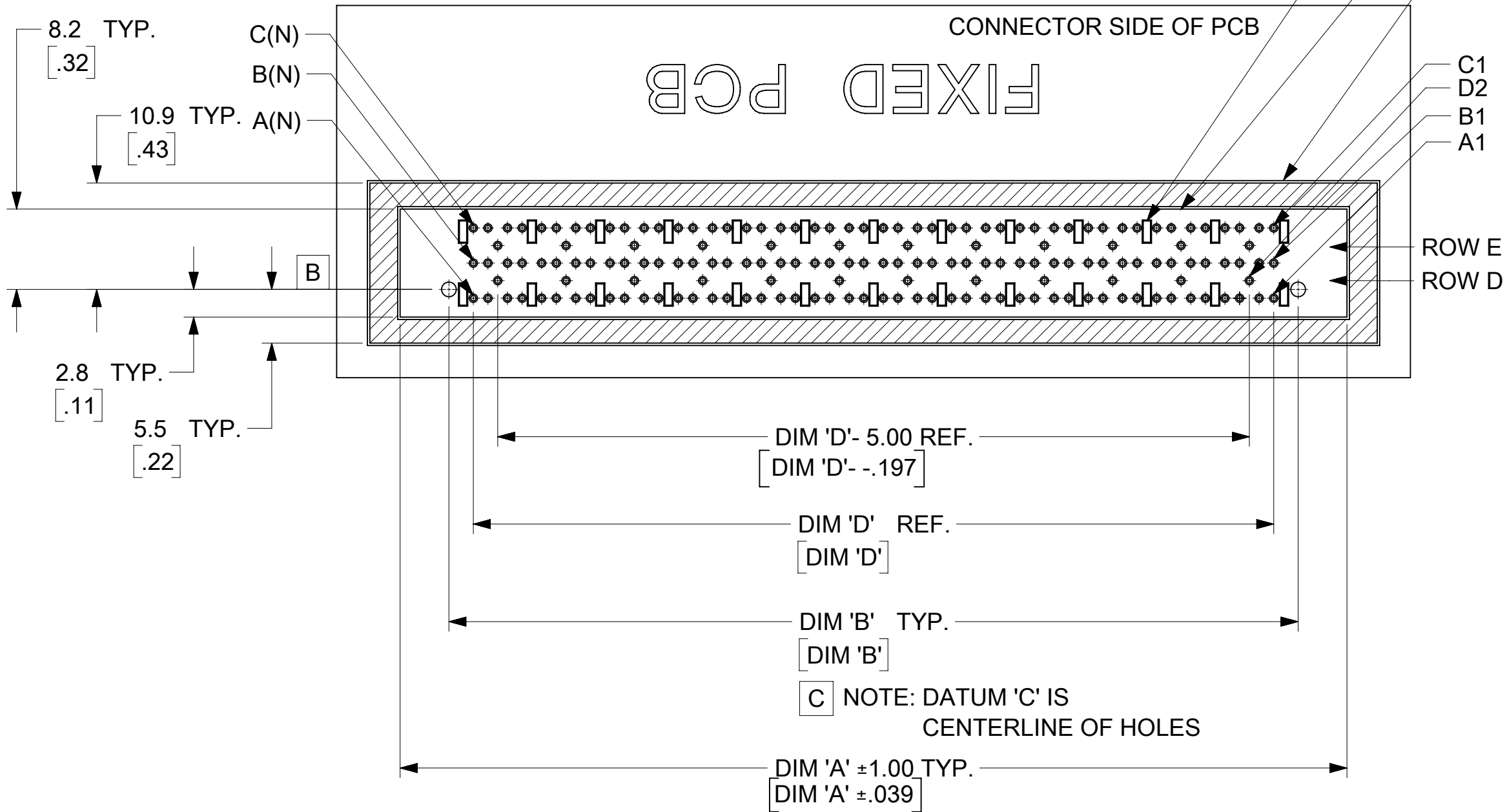
HOUSING

3.81 MICROMETERS MINIMUM NICKEL OVER

COPPER UNDERPLATE OVERALL

THIS DRAWING CONTAINS INFORMATION THAT IS PROPRIETARY TO MOLEX ELECTRONIC TECHNOLOGIES, LLC AND SHOULD NOT BE USED WITHOUT WRITTEN PERMISSION										
DIMENSION UNITS		SCALE		CURRENT REV DESC: OBSOLETE PART NUMBER			molex			
MM/INCH		1:1								
GENERAL TOLERANCES (UNLESS SPECIFIED)				EC NO: 655037 DRWN: VLOKESHA 2021/01/08 CHK'D: GGA 2021/03/16 APPR: GGA 2021/03/16			HIGH SPEED DOCKING VERTICAL FIXED CONNECTOR NO GROUND FINGER			
	MM	INCH								
4 PLACES	±		±							
3 PLACES	±		± 0.005							
2 PLACES	±	0.13	± 0.01							
1 PLACE	±	0.25	±							
0 PLACES	±		±							
ANGULAR TOL ± 0.5 °				INITIAL REVISION:			DOCUMENT NUMBER			
DRAFT WHERE APPLICABLE MUST REMAIN WITHIN DIMENSIONS				THIRD ANGLE PROJECTION			SERIES			
				DRAWING			MATERIAL NUMBER			
				C-SIZE			CUSTOMER			
				75140			SHEET NUMBER			
				SEE TABLE			2 OF 3			

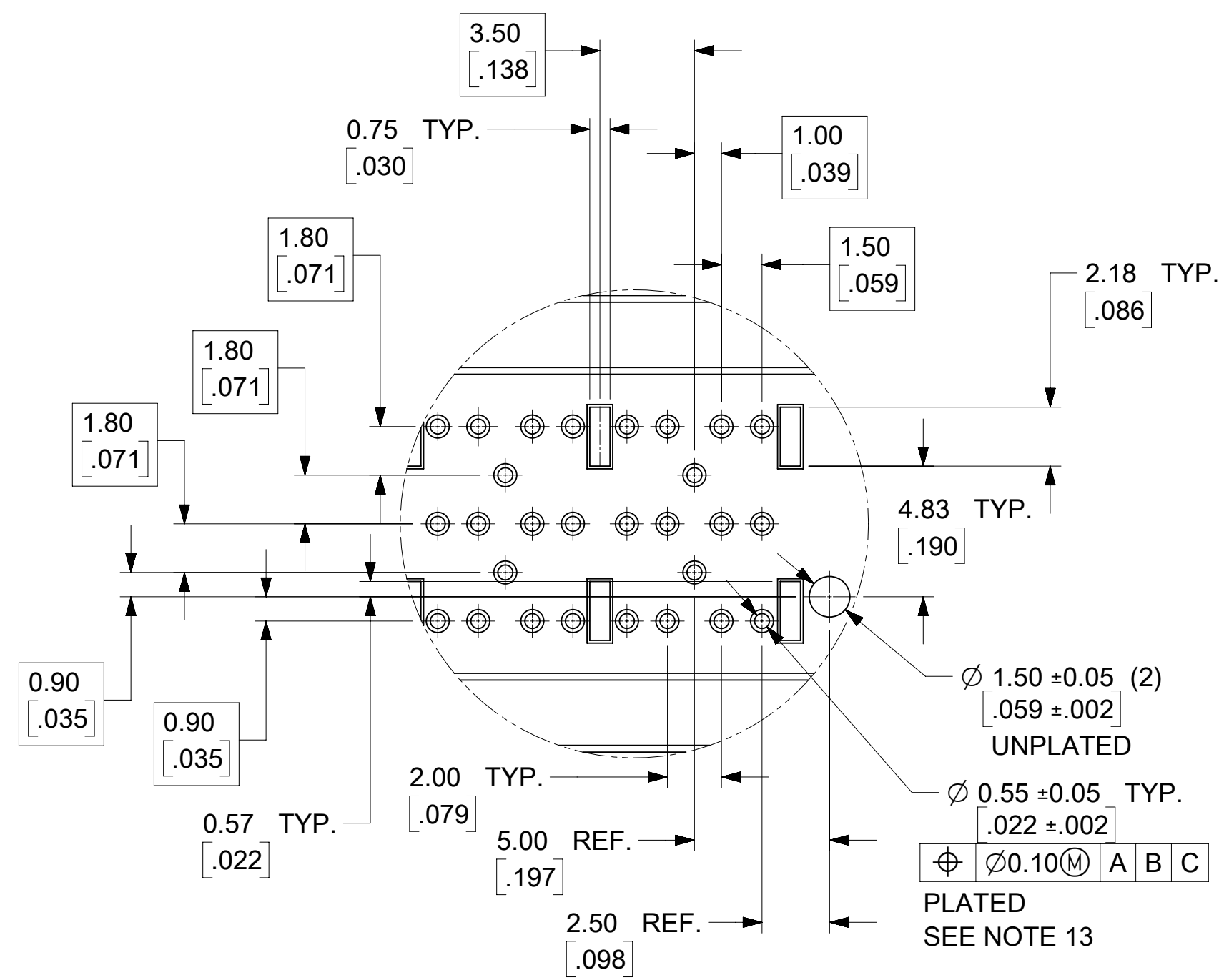
DOCUMENT STATUS	P1	RELEASE DATE	2021/03/16	13:03:16
-----------------	----	--------------	------------	----------



NO EXPOSED TRACES ON SURFACE OF PCB IN CONNECTOR STAND OFF LOCATIONS

CONNECTOR KEEP OUT AREA

APPLICATION TOOLING KEEP OUT AREAS (NOTES 10 & 11)



DETAIL X
SCALE 5:1

NOMINAL WIPE - FULLY MATED

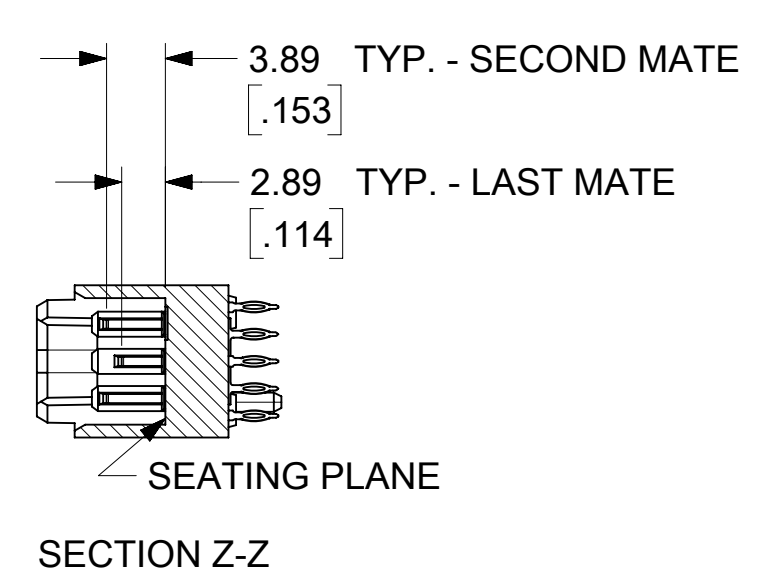
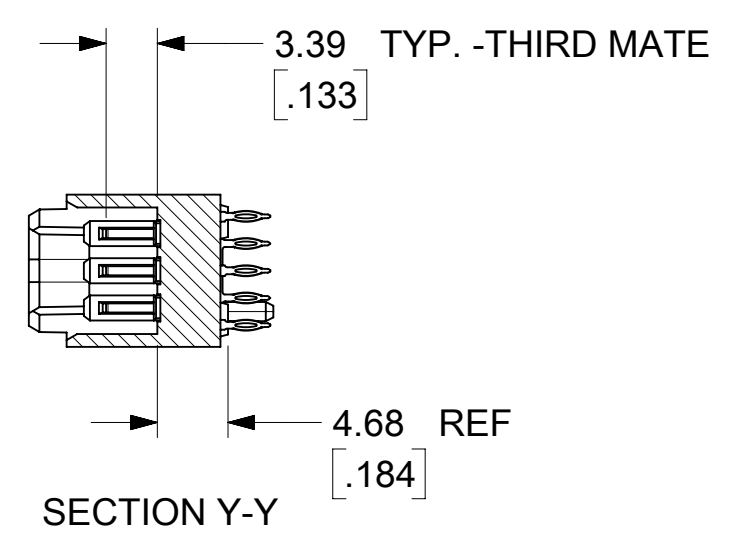
FIRST MATE: 5.2mm
SECOND MATE: 2.7mm
THIRD MATE: 2.2mm
LAST MATE: 1.7mm

CIRCUIT DESIGNATION

FIRST MATE: SIGNAL GROUND
SECOND MATE: A1, C1, A(N) & C(N) (FOR POWER RETURN)
THIRD MATE: A2, B2, C2, A(N-1), B(N-1), C(N-1) & ALL OTHERS (A2, C2, A(N-1), & C(N-1) FOR POWER) (ALL OTHERS FOR SIGNAL)
LAST MATE: B1 & B(N) (FOR CARD DETECT)

ALL COLUMNS FROM 3 THROUGH (N-2) ARE SUITABLE FOR DIFFERENTIAL PAIRS
EG.: A3-A4, B3-B4, C3-C4, A(N-2)-A(N-3), B(N-2)-B(N-3)

SIGNAL GROUND: ROWS D & E



THIS DRAWING CONTAINS INFORMATION THAT IS PROPRIETARY TO MOLEX ELECTRONIC TECHNOLOGIES, LLC AND SHOULD NOT BE USED WITHOUT WRITTEN PERMISSION									
DIMENSION UNITS MM/INCH		SCALE 2:1		CURRENT REV DESC: OBSOLETE PART NUMBER					
GENERAL TOLERANCES (UNLESS SPECIFIED)				EC NO: 655037		2021/01/08		molex	
4 PLACES	±		±	DRWN: VLOKESHA	2021/03/16		HIGH SPEED DOCKING VERTICAL FIXED CONNECTOR NO GROUND FINGER		
3 PLACES	±		± 0.005	CHK'D: GGA	2021/03/16		PRODUCT CUSTOMER DRAWING		
2 PLACES	±	0.13	± 0.01	APPR: GGA	2021/03/16		DOCUMENT NUMBER		
1 PLACE	±	0.25	±	INITIAL REVISION:		2009/05/20		SD-75140-005	
0 PLACES	±		±	DRWN: MIBARRA	2009/05/20		DOC TYPE DOC PART REVISION		
ANGULAR TOL ± 0.5°		THIRD ANGLE PROJECTION		APPR: SMILLER		2009/05/20		PSD 001 D1	
DRAFT WHERE APPLICABLE MUST REMAIN WITHIN DIMENSIONS		DRAWING		SERIES		MATERIAL NUMBER		CUSTOMER	
		C-SIZE		75140		SEE TABLE		GENERAL MARKET	
								SHEET NUMBER	
								3 OF 3	