

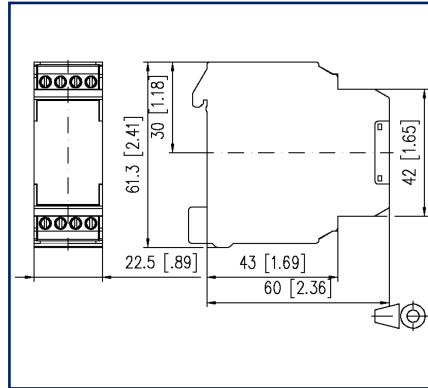
# Data sheet

MARK-E08 230 V AC, 24 V AC/DC

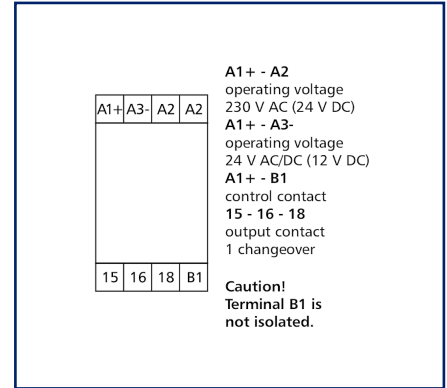
## Illustrations



Dimensional drawing



Wiring diagram



See enlarged drawings at the end of document

## Product specification

Multifunctional timer relay with incorporated coding switches to set functions. The time is set by means of a linear potentiometer on a relative scale.

- Connection with screw type terminal blocks
- Eight adjustable time ranges from 0.15 s to 10 h
- Five selectable functions
  1. On-delayed
  2. Off-delayed
  3. Making-pulse interval
  4. Flashing for pause start
  5. Flashing for pulse start



### Technical Data

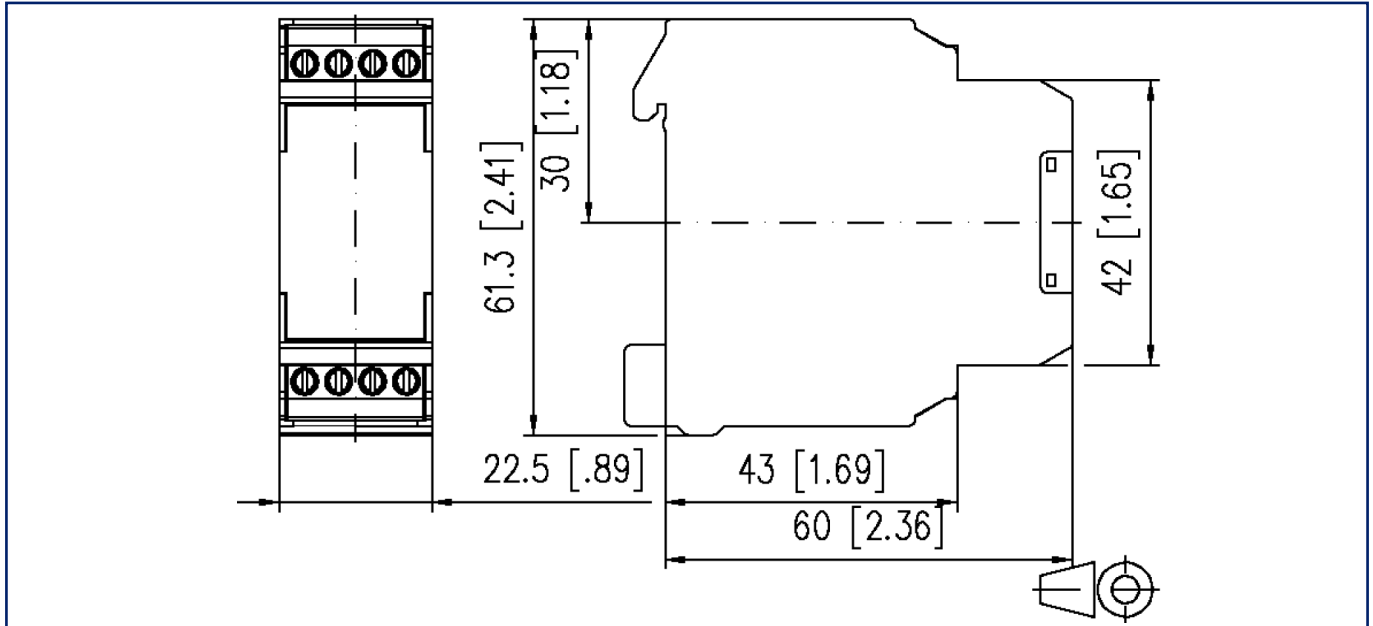
Supply	
Operating voltage	230 V AC / 24 V AC/DC -10% ... +10%
Time Ranges	
Time range adjustable	0.15 s - 10 h
Outputs	
Contacts	1 changeover contact
Contact material	AgSnO <sub>2</sub>
Switching voltage (max.)	250 V AC
Continuous Current	6 A
Switching frequency	1200 switching cycles/h
Mechanical life	1x10 <sup>7</sup> switching cycles
Electrical life	1x10 <sup>5</sup> switching cycles
Recovery time	
Recovery time (control contact)	> 50 ms
Indicator	green and red LED
Insulation coil - contact set	
Nominal voltage of the power supply system	230 / 400 V AC
Overvoltage category	III   II
Degree of pollution	2   2
Rated test voltage	4 kV   2.5 kV
Type of insulation	basic insulation   reinforced insulation
Housing	
Dimensions	
Dimension (W x H x D)	22.5 mm x 61.3 mm x 60 mm
Dimension (W x H x D)	0.886 in. x 2.413 in. x 2.362 in.
Weight	70 g
Mounting style	Standard rail TH35
Mounting position	any
Apposition	without distance
Connection type	Screw type terminal blocks

### Technical Data

Terminal blocks	
Wire cross section solid	0.34 mm <sup>2</sup> - 2.5 mm <sup>2</sup> / AWG 22-12
Wire cross section multi	0.25 mm <sup>2</sup> - 2.5 mm <sup>2</sup> / AWG 22-12
Wire cross section with wire ferrule	0.25 mm <sup>2</sup> - 2.5 mm <sup>2</sup> / AWG 22-12
Screw torque (max.)	0.5 Nm
Stripping length (min.)	8 mm
Material	
Material - Housing	Polyamid 6.6 V0
Color	gray
Material - Terminal block	Polyamid 6.6 V0
Material - Covers	Polyamid 6.6 V0
REACH	compliant
REACH - substance (SVHC)	Lead / 7439-92-1
Protection category according to IEC 60529	
Protection category - housing (acc. to IEC 60529)	IP40
Protection category - terminal blocks (acc. to IEC 60529)	IP20
Temperature range	
Operating	
Temperature - Operating °C	-10 °C - 55 °C
Temperature - Operating °F	14 °F - 131 °F
Storage	
Temperature - Storage °C	-25 °C - 70 °C
Temperature - Storage °F	-13 °F - 158 °F
Power loss	
Power loss (typical)	1 W
Classifications	
ETIM 7.0	EC001439
ETIM 8.0	EC001439

### Illustrations

Dimensional drawing



Wiring diagram

A1+	A3-	A2	A2
15	16	18	B1

**A1+ - A2**  
operating voltage  
230 V AC (24 V DC)

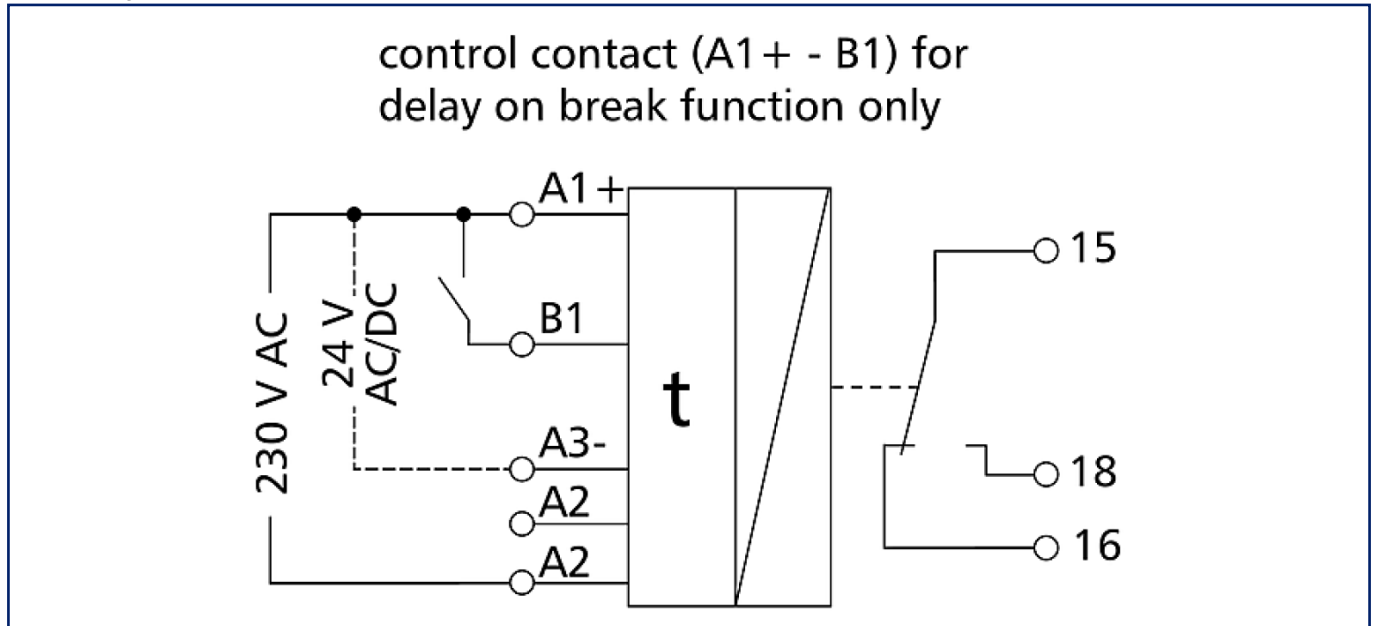
**A1+ - A3-**  
operating voltage  
24 V AC/DC (12 V DC)

**A1+ - B1**  
control contact  
**15 - 16 - 18**  
output contact  
1 changeover

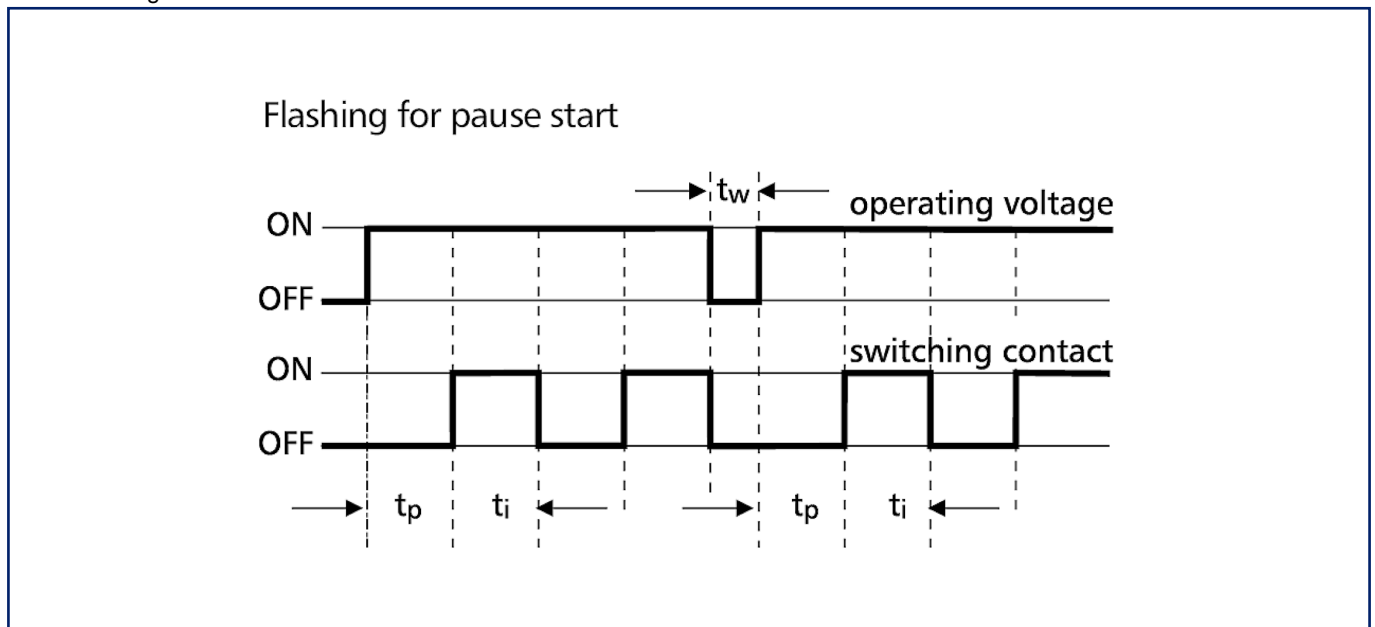
**Caution!**  
**Terminal B1 is not isolated.**

**Illustrations**

Circuit diagram

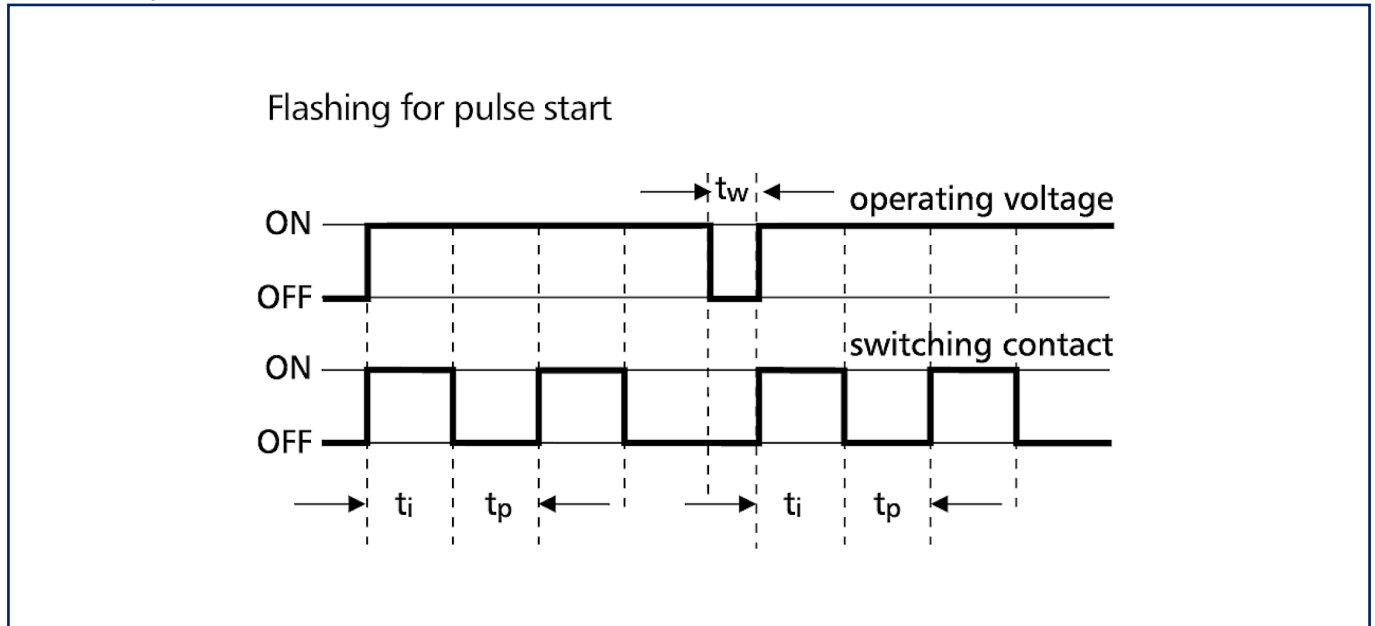


Function diagram

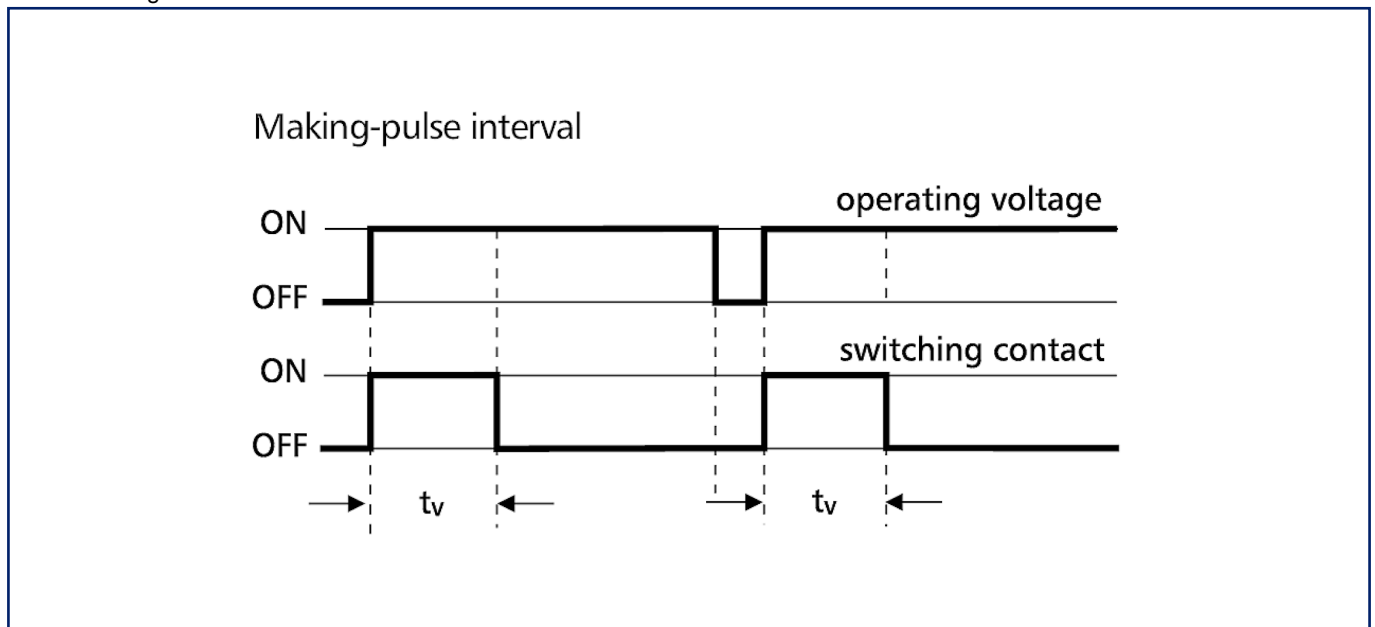


**Illustrations**

Function diagram

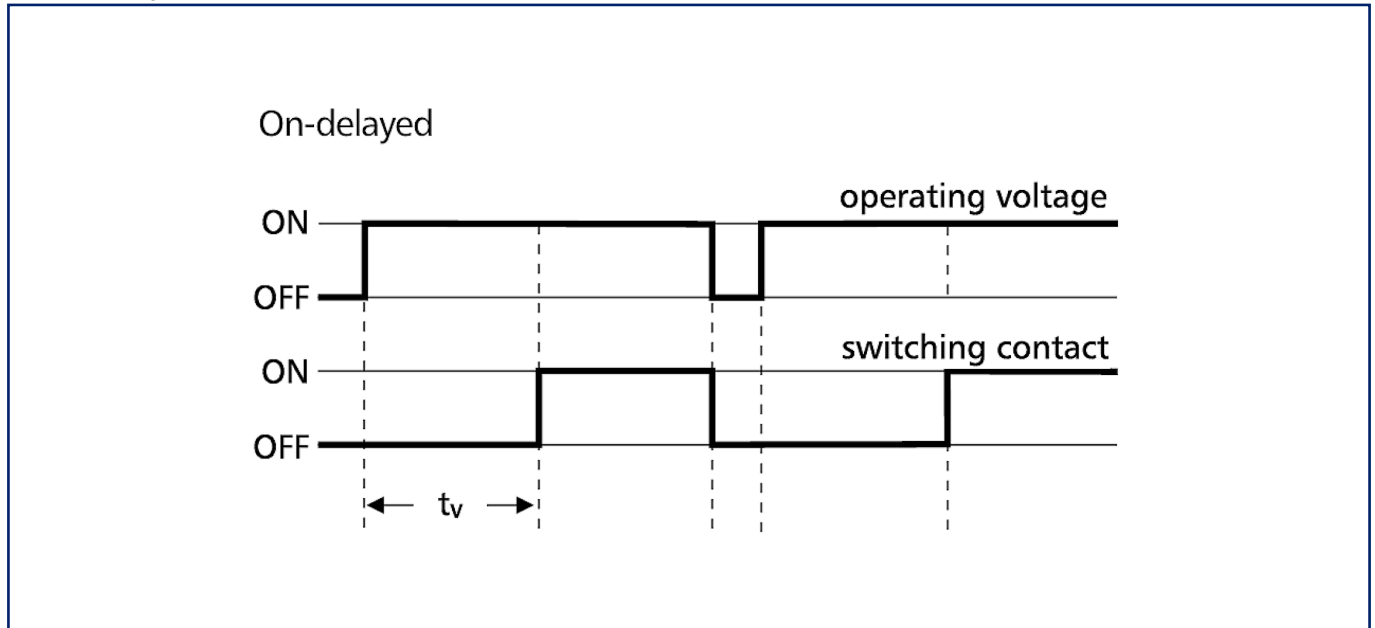


Function diagram



**Illustrations**

Function diagram



Function diagram

