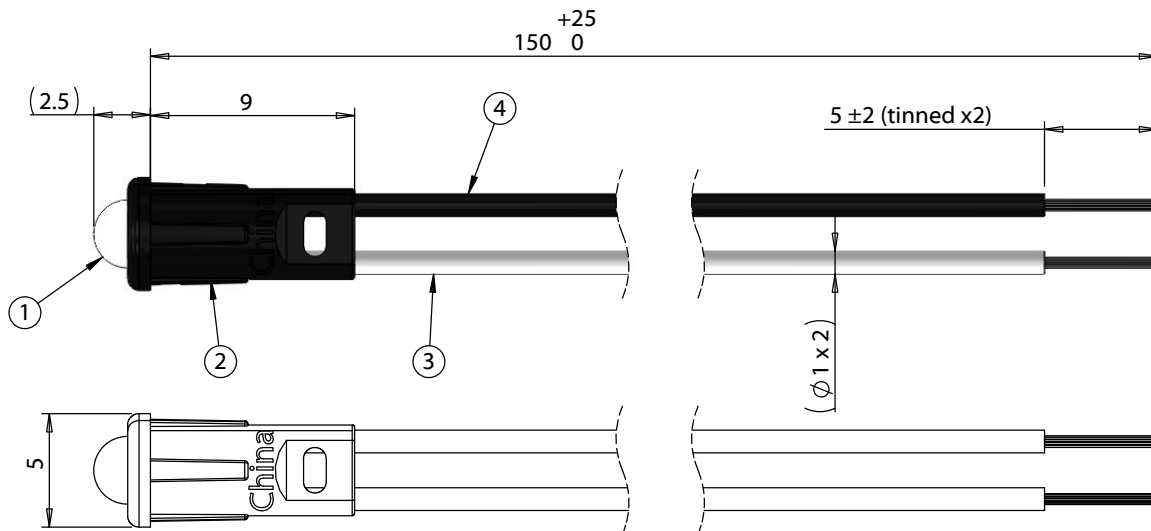
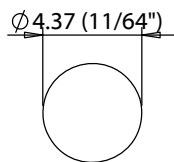


ITEM NO.	PART NUMBER	DESCRIPTION	QTY.	COMPONENT NOTES
1	57-00005	LED, Ø3x5.1 mm, white, InGaP, 3.0 V, 40°, 2000 mcd	1	
2	24-00385	Overmold, LED panel	1	Nylon PA201, black
3	30-01774	Wire, hook-up, TS, 26 AWG, UL 11028, 600V, 105C, 1 mm, mPPE, white	1	
4	30-01773	Wire, hook-up, TS, 26 AWG, UL 11028, 600V, 105C, 1 mm, mPPE, black	1	

Installation Details

Recommended panel cutout:



LED Properties @ 25 °C, 20 mA (IF)

	Min.	Typ.	Max.
Forward voltage (VF)	2.6 V	3.0 V	3.4 V
Reverse Current (IR)	-	-	1 µA
Luminous Intensity (IV)	-	2000 mcd	3000 mcd
Viewing angle (2θ1/2)	-	40°	-
Forward current (IF)	-	-	20 mA
Peak forward current (IFP)	-	-	80 mA
Peak wavelength (λP)	450 nm	455 nm	460 nm
Operating temp	-40~80 °C		

Wiring Diagram

57-00005	Wire Color
+	White
-	Black

Revision:	Date:	Description:	Prepared:	Notes:	TENSILITY tel 1.541.323.3228 800 877.670.7118 fax 1.541.323.4202 web tensility.com
A	10/12/2022	Initial release	Verified:	RoHS compliant Function test: no open, no short circuit, no intermittent	
			Dimensions are in millimeters. Tolerances: X: ± 0.5 mm X.X: ± 0.3 mm X.XX: ± 0.05 mm	Description: Cable, 150 mm, white LED 57-00005 to 5 mm tinned, panel mount, 26 AWG UL11028	Size: A Part number: 12-00005
					Scale: 3:1 Sheet 1 of 1