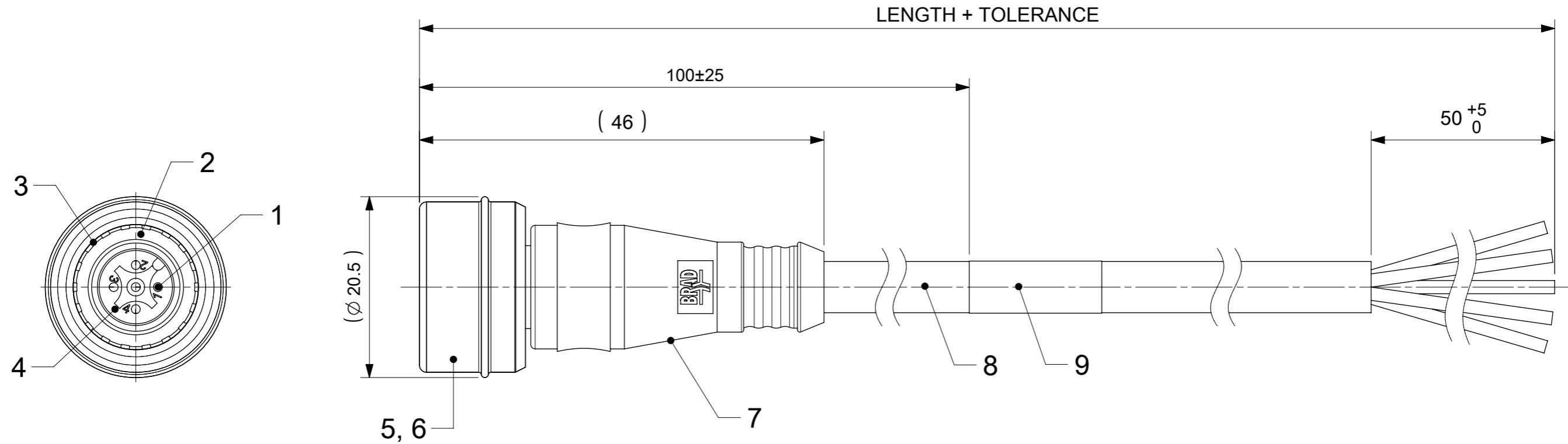


MALE PLUG ULTRA LOCK U12 STRAIGHT



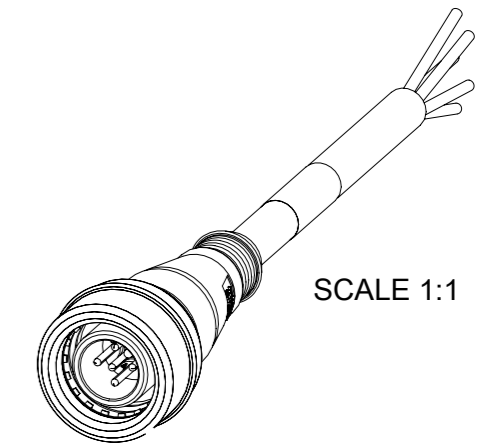
NOTES:

CURRENT RATING: 3-5 CONTACTS 4A
 VOLTAGE RATING: 3-4 CONTACTS 250V
 5 CONTACTS 60V
 PROTECTION CLASS: IP 67/68/69K
 TEMPERATURE: -25°C / +85°C

CONTACTS POSITION FRONT VIEW:

3 CONTACTS		4 CONTACTS		5 CONTACTS	
PIN	WIRE	PIN	WIRE	PIN	WIRE
1	BROWN	1	BROWN	1	BROWN
2	---	2	WHITE	2	WHITE
3	BLUE	3	BLUE	3	BLUE
4	BLACK	4	BLACK	4	BLACK
5	---	5	---	5	GREY

CODING ACCORDING TO IEC 61076-2-101



FOR OPTIONS SEE - NUMERICAL CODE - ON SHEET 2

9	1	LABEL YELLOW	VINYL	---
8	-	CABLE	SEE SHEET 2	---
7	-	OVERMOULD BLACK	TPU	---
6	1	SLEEVE U12 INNER	BRASS	NICKEL
5	1	SLEEVE U12 OUTER	V4A	---
4	1	INSERT MALE BLACK	PUR	---
3	1	SPRING U12	V4A	---
2	1	ORING GREEN	FPM	---
1	3 / 4 / 5	CONTACT M12 MALE	BRASS	SELECTIVE GOLD OVER NICKEL

FUNCTIONAL SYMBOLS	THIS DRAWING CONTAINS INFORMATION THAT IS PROPRIETARY TO MOLEX ELECTRONIC TECHNOLOGIES, LLC AND SHOULD NOT BE USED WITHOUT WRITTEN PERMISSION	CURRENT REV DESC:		molex				
	<table border="1"> <tr> <th>DIMENSION UNITS</th> <th>SCALE</th> </tr> <tr> <td>mm</td> <td>2:1</td> </tr> </table>	DIMENSION UNITS	SCALE		mm	2:1	EC NO: 698441	
	DIMENSION UNITS	SCALE						
	mm	2:1						
GENERAL TOLERANCES (UNLESS SPECIFIED)		DRWN: SSM	2022/03/07					
ANGULAR TOL ± 1.0°		CHK'D: RSILLER	2022/03/08					
DIVISIONAL SYMBOLS	4 PLACES ±	APPR: RSILLER	2022/03/08	PRODUCT CUSTOMER DRAWING				
	3 PLACES ±	INITIAL REVISION:	DOCUMENT NUMBER					
	2 PLACES ± 0.05	DRWN: JMARSZALEK	2016/06/22		1200790273			
	1 PLACE ± 0.3	APPR: RSILLER	2016/06/29		PSD 000 B1			
0 PLACES ± 0.5	DRAFT WHERE APPLICABLE MUST REMAIN WITHIN DIMENSIONS	THIRD ANGLE PROJECTION	DRAWING	SERIES	MATERIAL NUMBER	CUSTOMER	SHEET NUMBER	
			A3-SIZE	120079	SEE TABLE	GENERAL MARKET	1 OF 2	

