

6

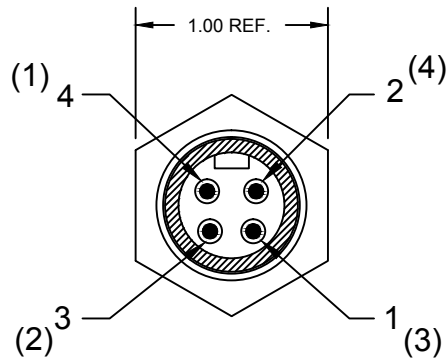
5

4

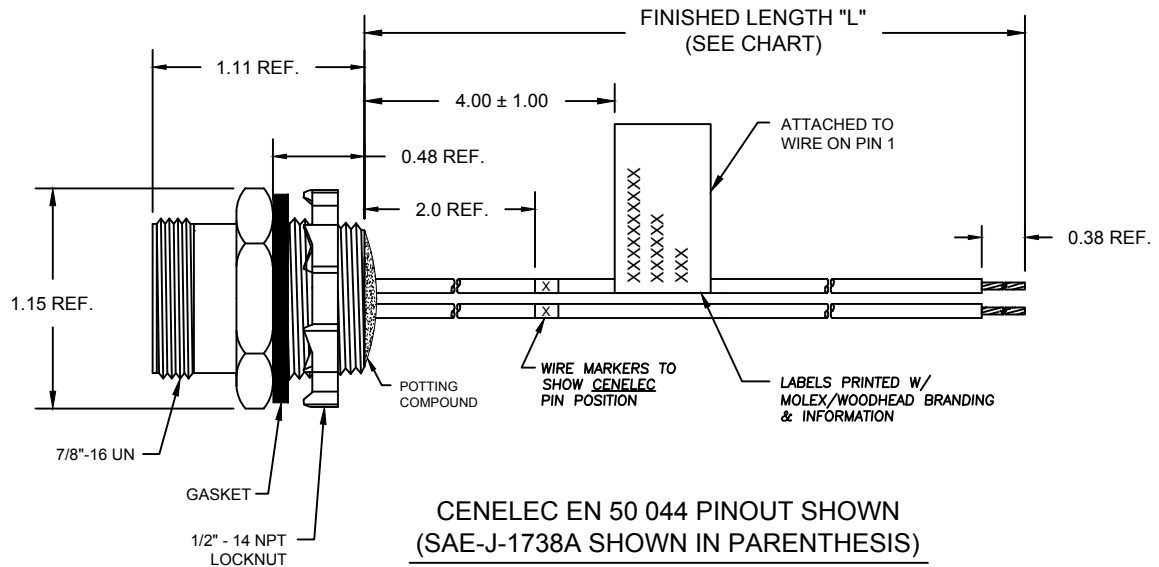
3

2

1



FACE VIEW - MALE



1 (3)	BLUE/YELLOW
2 (4)	BLUE/YELLOW
3 (2)	WHITE/BLUE
4 (1)	WHITE/BLUE

## SPECIFICATIONS:

SHELL MATERIAL: ZINC DIECAST W/ BLACK ELECTROPHORETIC COATING  
 CONTACT MATERIAL: GOLD/NICKEL OVER COPPER ALLOY  
 INSERT MATERIAL: YELLOW TPE  
 LOCKNUT: ZINC-PLATED STEEL  
 GASKET: BLACK NEOPRENE

WIRES: #16-1, PVC LEADS

ASSEMBLY RATING: 600V, 10A

ENVIRONMENTAL: -20°C TO 105°C  
 IP67 WHEN MATED

AGENCY APPROVALS: UL LISTED

MOLEX SAP P/N#	ENGINEERING P/N#	"L" (Meters)	"L" (INCH)	TOLERANCE (INCH)
1300131043	1R4006AA1M020D	2.0 M	78.74"	+3.50"/-0.00"
1300131045	1R4006AA1M040D	4.0 M	157.48"	+6.50"/-0.00"

CENELEC PINOUT EC NO: IPC2012-1061 6/14/12 DRWN: VOU CHKD: BWOODMAN APPR: JFMURPHY 2012/03/08	QUALITY SYMBOLS	GENERAL TOLERANCES (UNLESS SPECIFIED)		DIMENSION STYLE	SCALE	DESIGN UNITS	THIRD ANGLE PROJECTION
	▽=0	mm	INCH	INCH	1:1	INCH	
	▽C=0	4 PLACES	±---	±---	DRAWN BY	DATE	TITLE
		3 PLACES	±---	±.005	YOU	2010/12/13	MINI-CHANGE RECEPTACLE 4P MR 1/2 NPT MOUNT #16-1 PVC WIRES
	2 PLACES	±0.13	±.010	CHECKED BY	DATE		
	1 PLACE	±0.25	±.020	BWOODMAN	2012/02/17		
		ANGULAR ±1/2°		APPROVED BY	DATE		
		DRAFT WHERE APPLICABLE MUST REMAIN WITHIN DIMENSIONS		JFMURPHY	2012/03/08		
				MATERIAL NO.		DOCUMENT NO.	SHEET NO.
				SEE CHART		SD-130013-031	1 OF 1
				SIZE	THIS DRAWING CONTAINS INFORMATION THAT IS PROPRIETARY TO MOLEX INCORPORATED AND SHOULD NOT BE USED WITHOUT WRITTEN PERMISSION		
				A			

6

5

4

3

2

1