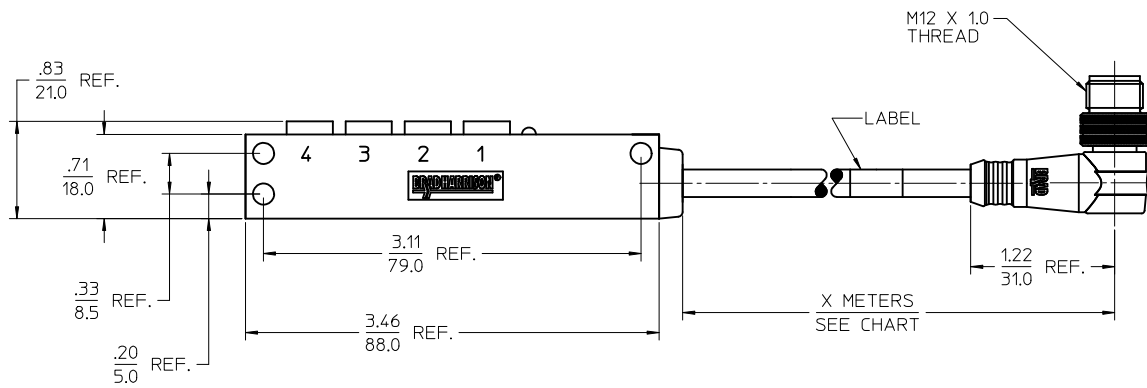
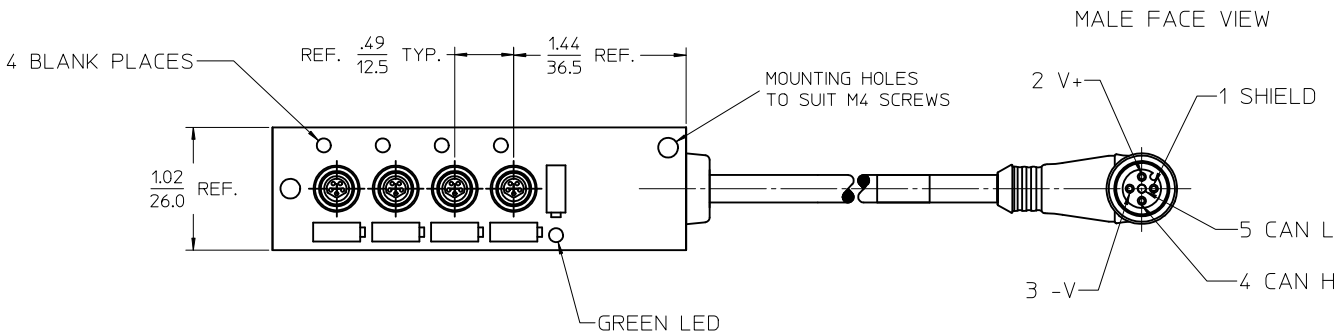


MATERIAL NO.	ENGINEERING P/N	LENGTH
1300380024	BG19954-M003	0.3M
1300380025	BG19954-M005	0.5M
1300380026	BG19954-M007	0.7M
1300380027	BG19954-M010	1.0M



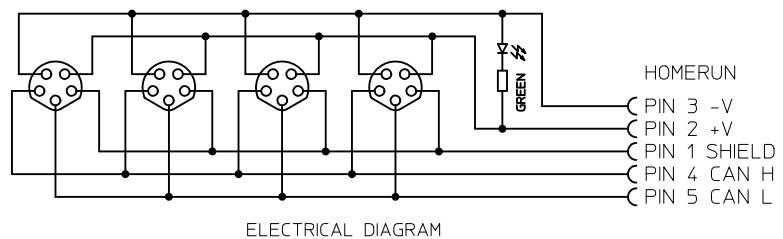
CUSTOMER PRODUCTION APPROVAL  
 APPROVED BY:.....  
 DATE:.....  
 MUST BE SIGNED AND RETURNED BEFORE  
 PRODUCTION WILL BEGIN.

SALES DRAWING



SPECIFICATION

MATERIALS MPIS UNIT:  
 HOUSING : YELLOW PBT (GLASS FILLED)  
 PORT RECEPTACLES: BRASS-NICKEL PLATED  
 PORT INSERTS: PUR (GLASS FILLED)  
 CONTACTS: BRASS, GOLD PLATE  
 O-RING: VITON  
 MATERIALS:HOME RUN CONNECTOR  
 CABLE: DEVICENET MID PVC CABLE  
 INSERT: BLACK NYLON  
 BODY: GREY PVC  
 CONTACT MATERIAL: BRASS  
 CONTACT PLATING: GOLD OVER PALLADIUM/NICKEL  
 COUPLING NUT: ZINC DIE CAST, EPOXY-COAT  
 ELECTRICAL:  
 VOLTAGE: 10-30VDC  
 CURRENT RATING: 2A PER PORT, 4 AMPS MAX.  
 PROTECTION CLASS: IP68



RELEASED EC NO: MNA2011-0300 DRAWN BY: DRWINRSTONE 2010/12/06 CHKD BY: RUPERT 2010/12/09 APPR: JFMURPHY 2011/01/24 REV: A	QUALITY SYMBOLS ▽=0 ▽=0	GENERAL TOLERANCES (UNLESS SPECIFIED) <table border="1"> <thead> <tr> <th></th> <th>mm</th> <th>INCH</th> </tr> </thead> <tbody> <tr> <td>4 PLACES</td> <td>± .005</td> <td>± .0005</td> </tr> <tr> <td>3 PLACES</td> <td>± .005</td> <td>± .0005</td> </tr> <tr> <td>2 PLACES</td> <td>± .01</td> <td>± .001</td> </tr> <tr> <td>1 PLACE</td> <td>± .03</td> <td>± .001</td> </tr> </tbody> </table>		mm	INCH	4 PLACES	± .005	± .0005	3 PLACES	± .005	± .0005	2 PLACES	± .01	± .001	1 PLACE	± .03	± .001	DIMENSION STYLE IN/MM DRAWN BY: RSTONE DATE: 2010/12/06 CHECKED BY: B. RUPERT DATE: 2010/12/09 APPROVED BY: JFMURPHY DATE: 2011/01/24	SCALE 1:1 DESIGN UNITS METRIC THIRD ANGLE PROJECTION	TITLE <b>M8-4 PORT MPIS          DEVICENET UNIT, 90 DEG          HOMERUN CONNECTOR</b>
		mm	INCH																	
	4 PLACES	± .005	± .0005																	
	3 PLACES	± .005	± .0005																	
2 PLACES	± .01	± .001																		
1 PLACE	± .03	± .001																		
DRAFT WHERE APPLICABLE MUST REMAIN WITHIN DIMENSIONS		MATERIAL NO. SEE CHART SIZE C	MOLEX INCORPORATED DOCUMENT NO. SD-130038-004 SHEET NO. 1 OF 1																	
THIS DRAWING CONTAINS INFORMATION THAT IS PROPRIETARY TO MOLEX INCORPORATED AND SHOULD NOT BE USED WITHOUT WRITTEN PERMISSION																				