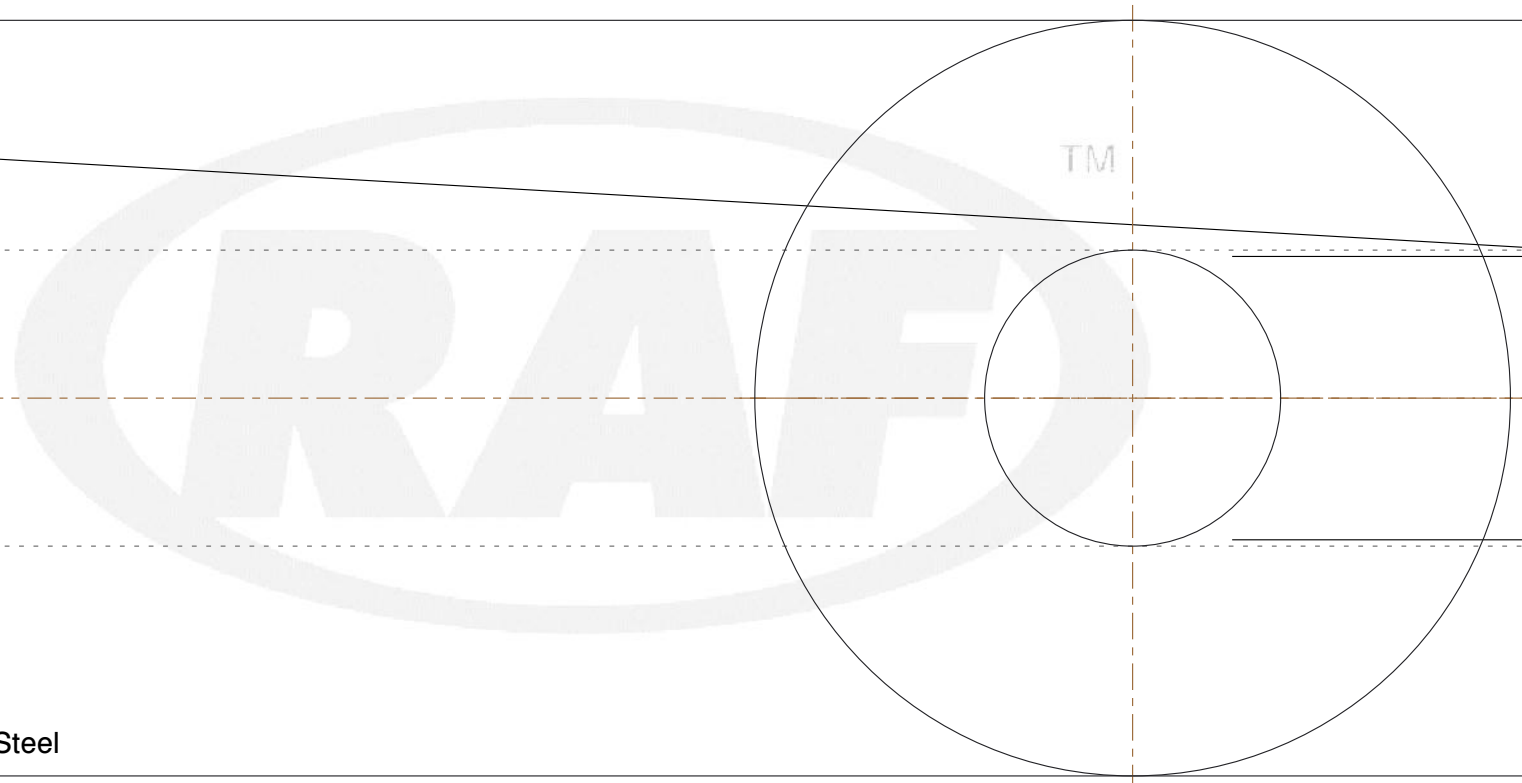



| REV | CHANGE | DATE     | DRN | CHK |
|-----|--------|----------|-----|-----|
|     | Drawn  | 01/31/16 | SJ  | T   |

3/16 HEX  
[4.76]



**NOTES:**

1. Material : Stainless Steel
2. Finish :
3. ASME Y14.5M - 2009
4. All Drawing Dimensions are in Inches [mm]
5. Unless otherwise specified; Edge Breaks, Radii or Countersinks 0.005-0.015

|  |   |  |                           |           |              |
|--|---|--|---------------------------|-----------|--------------|
| <br>95 Silvermine Rd., Seymour CT 06483<br>Tel: 203-888-2133, Fax: 203-888-9860 | This Drawing is the Property of RAF.<br>It contains confidential, proprietary information that is RAF property. Do not disclose to or duplicate for others except as authorized by RAF. | <b>TOLERANCES</b><br>ALL DIMENSIONS ARE INCHES (UNLESS OTHERWISE SPECIFIED)<br><b>METALLIC</b><br>LENGTHS <math><= 6</math> INCHES $\pm 0.005$<br>LENGTH > 6 INCHES $\pm 0.010$<br>DIAMETERS: $\pm 0.005$<br><b>NON-METALLIC</b><br>LENGTH: $\pm 0.010$ DIAMETERS: $\pm 0.010$<br><b>INTERNAL THREADS:</b><br>MINIMUM THREAD DEPTH | COMPONENT                 | STANDOFFS |              |
|  |   |  | 3/16 HEX FEMALE STANDOFFS |           | <b>SCALE</b> |
|  |   |  |                           |           | 7.00         |
|  |   |  |                           |           | <b>SHEET</b> |
|  |   |  |                           | 1 of 1    |              |