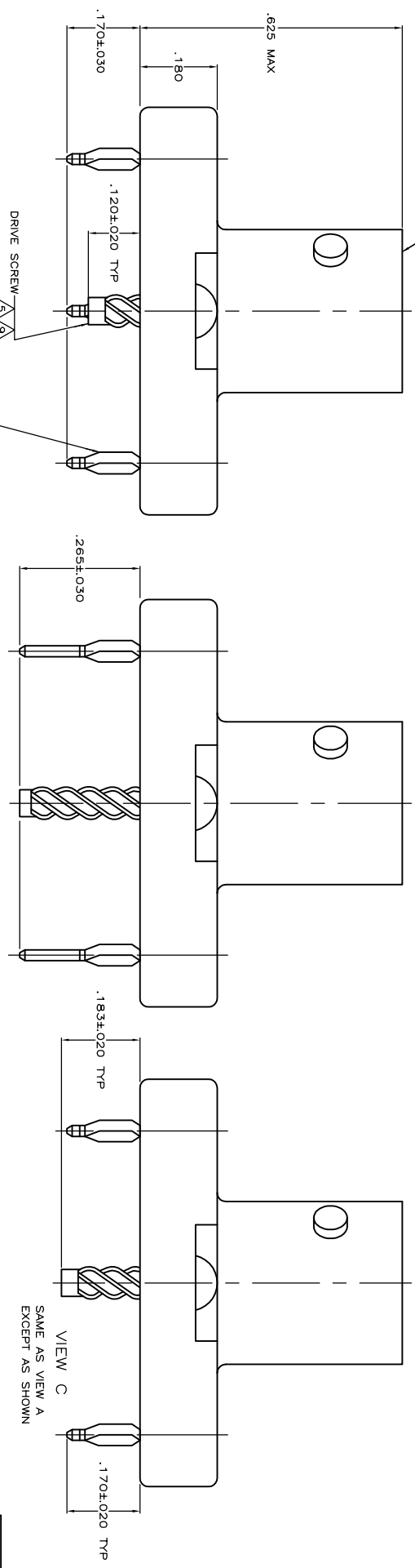


PCB CONFIGURATION
SCALE 4:1

- ▲ ZINC PER QQ-2-363
- ▲ PTFE PER MIL-P-19468
- ▲ BERYLLIUM COPPER PER QQ-C-530
- ▲ COPPER NICKEL ALLOY PER ASTM-B-122
- ▲ STAINLESS STEEL PER ASTM-A-582
- ▲ BRASS PER QQ-B-626
- ▲ NICKEL PLATE PER QQ-N-290, .000200 MINIMUM THICKNESS
- ▲ GOLD PLATE PER MIL-G-45204, .000030 - .0000055 MINIMUM THICKNESS
- ▲ PASSIVATE PER QQ-P-35
- ▲ TIN PLATE PER ASTM-B-545, .000100 - .000200 MINIMUM THICKNESS
- ▲ PREPARE BOARD AND TERMINATE PER APPLICATION SPEC 114-12001
- 1.2. SEE INSTRUCTION SHEET 9194.
- ▲ GOLD PLATE PER MIL-G-45204.



VIEW A

VIEW B

VIEW C

SAME AS VIEW A
EXCEPT AS SHOWN

SAME AS VIEW A
EXCEPT AS SHOWN

THIS DRAWING IS A CONTROLLED DOCUMENT.

DATE	REV	DESCRIPTION
108-12103	1	REVISED PER ESR-17-001577

DRAWN BY: E. BILU
 CHECKED BY: TAYLOR
 DATE: 108-12103
 SCALE: 1:1
 PART: 0.000000
 CUSTOMER DRAWING: A1100779-221336

DATE	REV	DESCRIPTION
108-12103	1	REVISED PER ESR-17-001577

DRAWN BY: E. BILU
 CHECKED BY: TAYLOR
 DATE: 108-12103
 SCALE: 1:1
 PART: 0.000000
 CUSTOMER DRAWING: A1100779-221336

OBSOLETE B 221336-4
 OBSOLETE C 221336-3
 OBSOLETE C 221336-2
 OBSOLETE A 221336-1

PARDON NUMBER: 73
 73 STL, COMMERCIAL BNC
 TE Connectivity