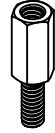
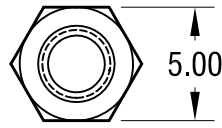
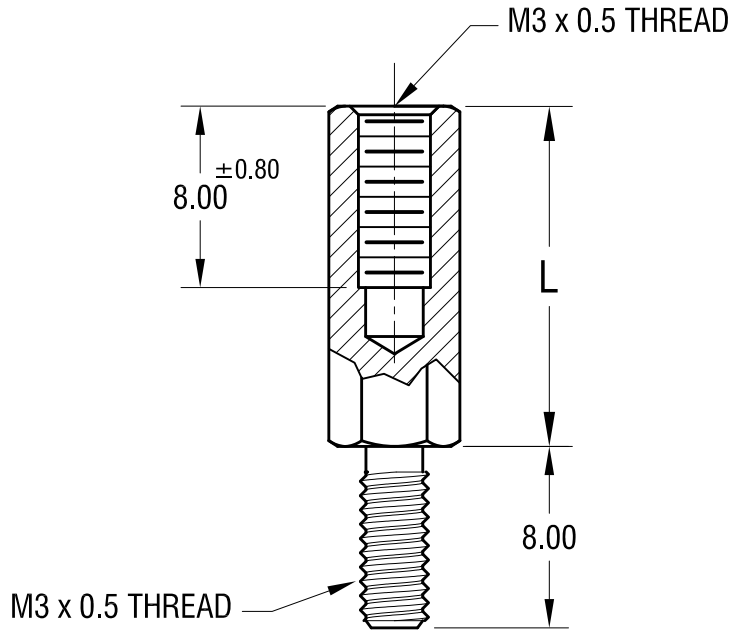


THIS DOCUMENT IS THE PROPERTY OF  
KEYSTONE ELECTRONICS CORP. AND  
SHALL NOT BE REPRODUCED, DISTRIBUTED  
OR USED AS A BASIS FOR MANUFACTURE  
WITHOUT PRIOR WRITTEN PERMISSION  
FROM KEYSTONE ELECTRONICS CORP.

**ACTUAL SIZE**



P/N 24289



PART NO.	'L' DIM.
24289	10.00
24290	12.00
24291	15.00
24292	18.00
24293	20.00
24294	25.00

**NOTE:**

1. ALL DIMENSIONS ARE IN MILLIMETERS

<b>KEYSTONE ELECTRONICS CORP.</b>			
www.keyelco.com • NEW HYDE PARK NY 11040 • Tel (516)328-7500			
PART NAME			
5mm M/F HEX STANDOFF			
MATERIAL			
STAINLESS STEEL			
FINISH		DRN BY	DATE
NONE		BOONE	5.08.06
		APP'D	SCALE
		LN	3X
TOLERANCES	INCH [MM]	CODE	DWG NO.
DECIMAL	± .005 [± 0.13]	C	<b>24289 - 24294</b>
ANGULAR	± 1°		
UNLESS OTHERWISE SPECIFIED			

5.26.22	CHANGE AS PER ECN 22-076	A
DATE	DESCRIPTION	REV.