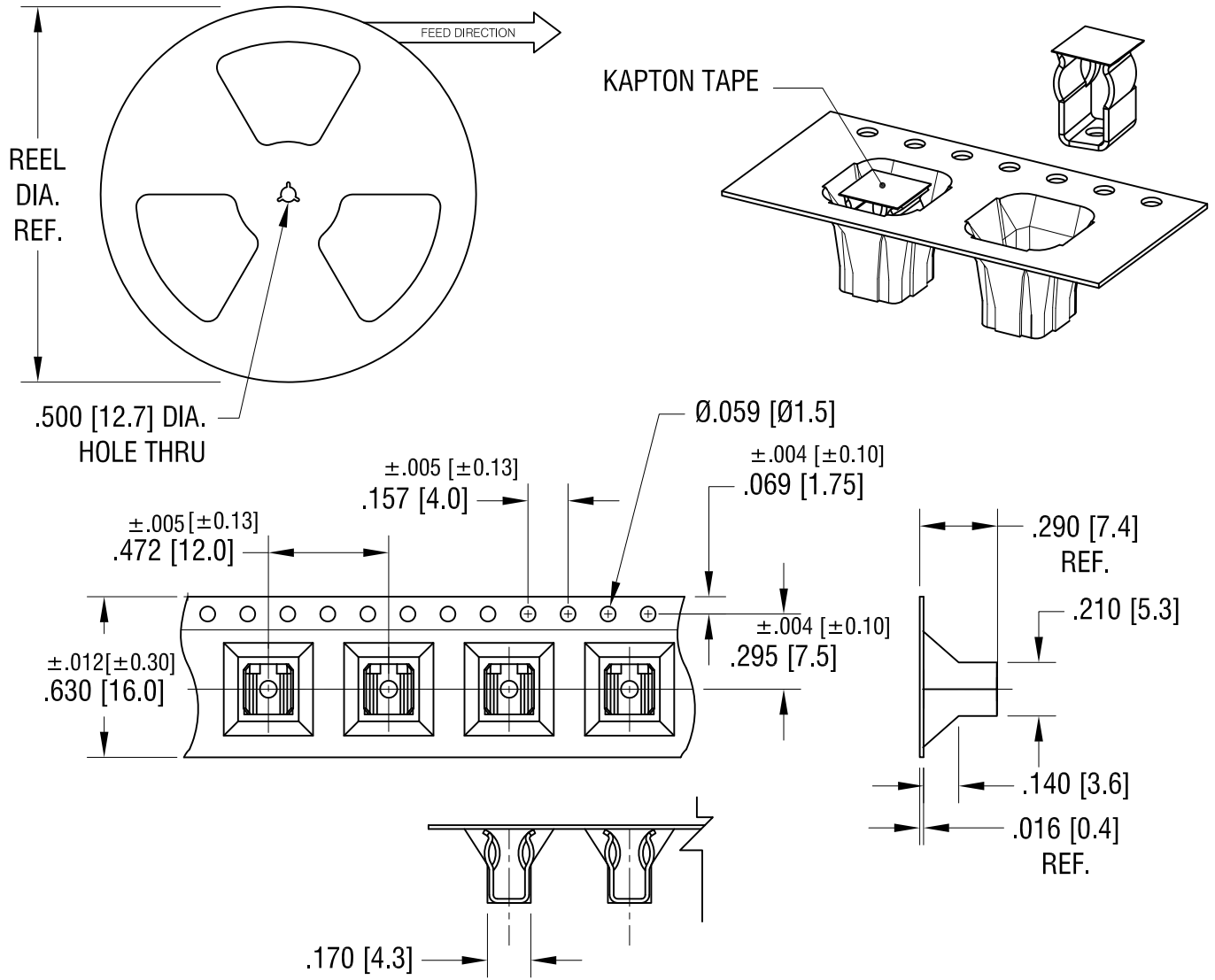


THIS DOCUMENT IS THE PROPERTY OF KEYSTONE ELECTRONICS CORP. AND SHALL NOT BE REPRODUCED, DISTRIBUTED OR USED AS A BASIS FOR MANUFACTURE WITHOUT PRIOR WRITTEN PERMISSION FROM KEYSTONE ELECTRONICS CORP.



NOTES:

TAPE AND REEL SPECIFICATIONS:

1. TAPE:

MAT'L - ALL CONDUCTIVE POLYSTYRENE CARRIER
ANSI/EIA-481 STANDARD
.630 [16.0] WIDE; .472 [12.0] PITCH

2. REEL:

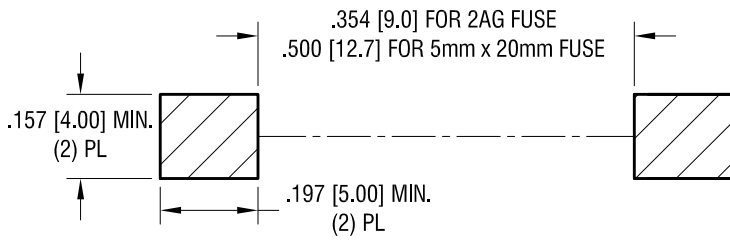
13.0 [330.2] DIA. 600 PIECES OF
PART NO. 3561 PER REEL.

3. KAPTON TAPE TO BE APPLIED TO TOP

SURFACE OF EACH RETAINER FOR VACUUM PICK AND PLACE

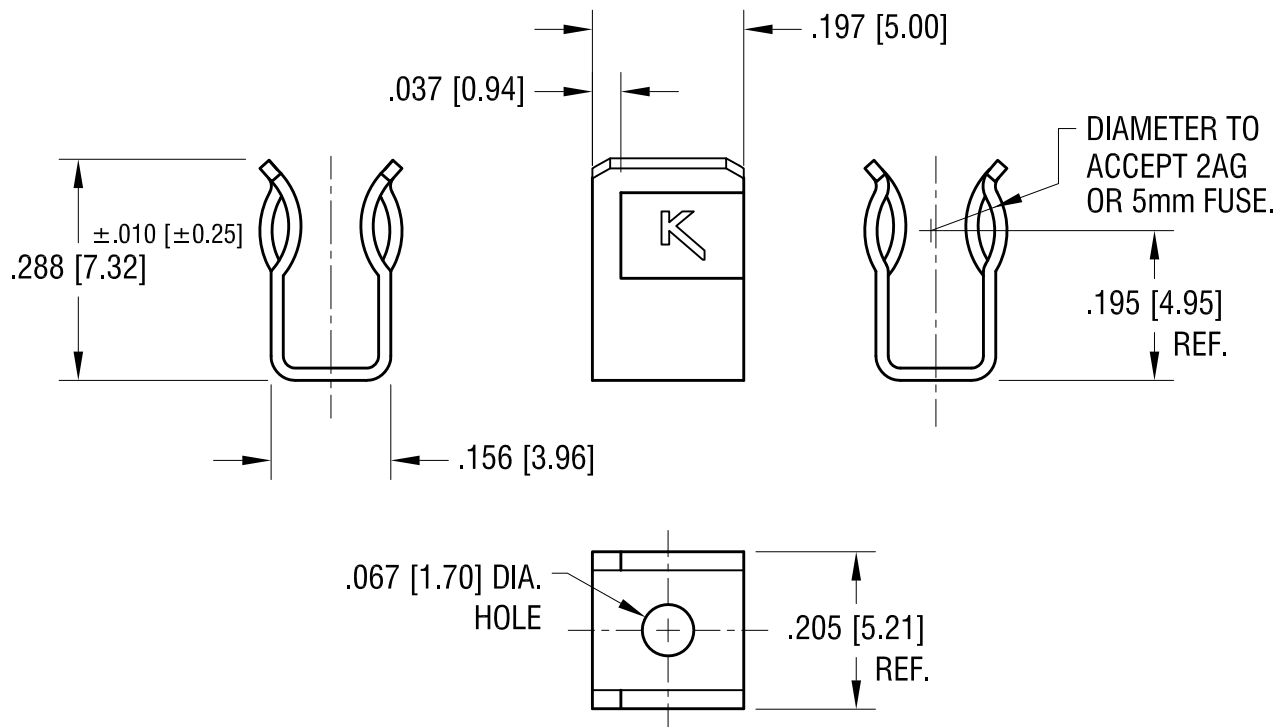
KEYSTONE ELECTRONICS CORP.			
www.keyelco.com • NEW HYDE PARK, NY 11040 • Tel (516) 328-7500			
11.06.18		KAPTON TAPE WAS ROUND SHAPE CHANGE AS PER ECN 18-046	C
8.27.18		ADD POCKET DETAILS CHANGE AS PER ECN 18-031	B
1.11.17		ECN17-006 WAS 700 PCS PER REEL	A
DATE	DESCRIPTION	REV.	
2AG/5mm SURFACE MOUNT FUSE, ON TAPE			
MATERIAL AS NOTED			
FINISH AS NOTED		DRN BY NT	DATE 11.30.16
		APP'D LN	SCALE X
TOLERANCES INCH [MM]	CODE	DWG NO.	
DECIMAL ±.015 [±0.38]	C	3561KTR	
ANGULAR ± 1° UNLESS OTHERWISE SPECIFIED			

PAD LAYOUT



THIS DOCUMENT IS THE PROPERTY OF KEYSTONE ELECTRONICS CORP. AND SHALL NOT BE REPRODUCED, DISTRIBUTED OR USED AS A BASIS FOR MANUFACTURE WITHOUT PRIOR WRITTEN PERMISSION FROM KEYSTONE ELECTRONICS CORP.

ACTUAL SIZE



4.11.17	CHANGE AS PER ECN 17-033	E
9.12.12	CHANGE AS PER ECN 12-138	D
12.08.10	CHANGE AS PER ECN 10-08	C
6.08.09	CHANGE AS PER ECN 09-053	B
2.28.08	CHANGE AS PER ECN 08-091	A
DATE	DESCRIPTION	REV.

KEYSTONE ELECTRONICS CORP.			
www.keyelco.com • ASTORIA, N.Y. 11105-2017 • Tel (718) 956-8900			
PART NAME		2AG/5mm SURFACE MOUNT FUSE CLIP	
MATERIAL		.016 [0.40] TH'K BRASS	
FINISH		DRN BY	DATE
MATTE TIN PLATE		BOONE	4.02.98
		APP'D	SCALE
		LN	4X
TOLERANCES	INCH [MM]	CODE	DWG NO.
DECIMAL	± .005 [± 0.15]	C	3561
ANGULAR	± 1°		
UNLESS OTHERWISE SPECIFIED			