

REVISIONS			
REV	ECN, ERN NO.	DATE	APPRD.
C	PRODUCT DRAWING (EAR 14658)	MAY07/18	K.L.

MECHANICAL DATA:

MATERIALS: ALL MATERIALS ARE RoHS COMPLIANT

SHELL: STEEL, NICKEL PLATED

INSERTS: HIGH TEMPERATURE RESISTANT NYLON, GLASS REINFORCED, UL FLAMMABILITY RATING 94V-0, COLOUR: BLACK

CONTACTS: COPPER ALLOY, GOLD PLATING (SEE ORDERING CODE) OVER 50µ" [1.27 MICRONS] NICKEL ON ENGAGEMENT AREA WITH 100µ" [2.54 MICRONS] MIN. MATTE TIN ON CONTACT TERMINALS.

BOARDLOCK: COPPER ALLOY, TIN PLATED

ELECTRICAL DATA:

CURRENT RATING: 5 AMP

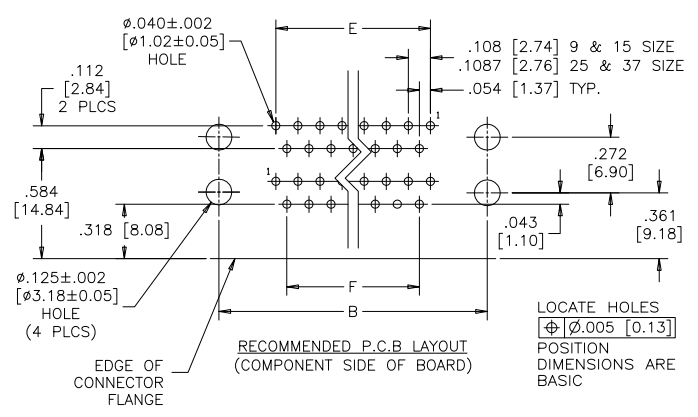
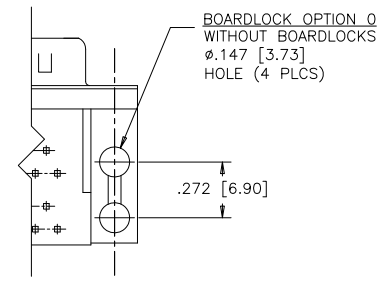
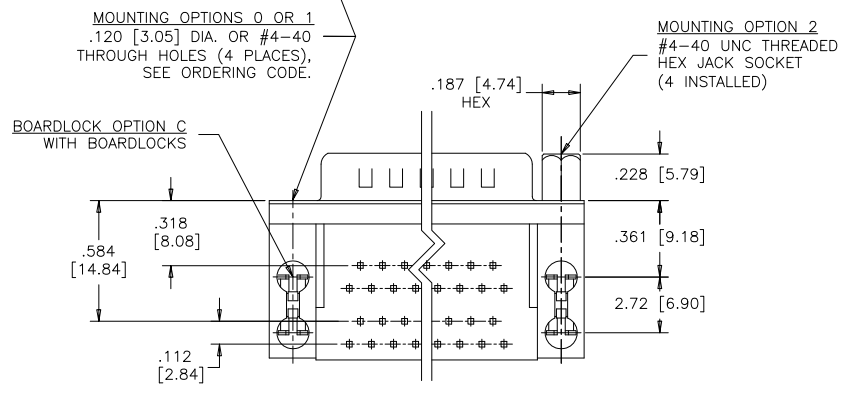
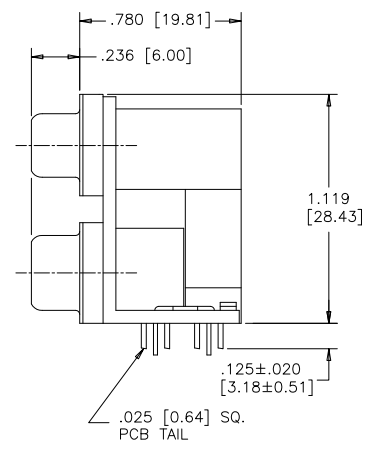
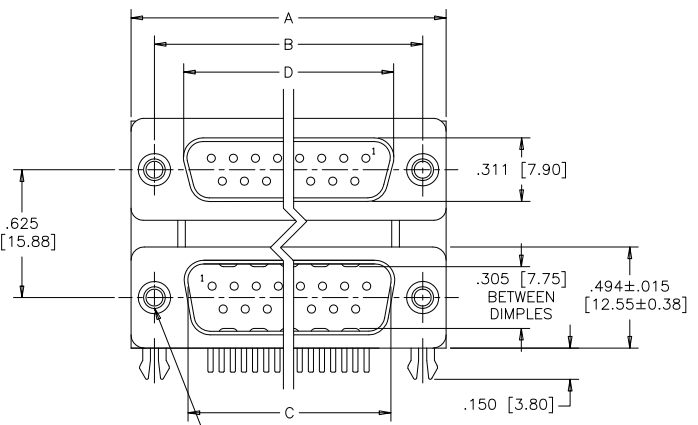
CONTACT RESISTANCE: 15 MILLIOHMS MAX.

INSULATION RESISTANCE: 3000 MEGOHMS MIN.

DIELECTRIC WITHSTANDING VOLTAGE: 1000 VAC rms

OPERATING TEMPERATURE: -55°C TO +105°C

SIZE	A	B	C	D	E	F
9 OVER 9 18 CONTACTS	1.213 [30.81]	.984 [24.99]	.666 [16.92]	.643 [16.33]	.432 [10.97]	.324 [8.23]
15 OVER 15 30 CONTACTS	1.541 [39.14]	1.312 [33.32]	.994 [25.25]	.971 [24.66]	.756 [19.20]	.648 [16.46]
25 OVER 25 50 CONTACTS	2.088 [53.04]	1.852 [47.04]	1.534 [38.96]	1.511 [38.38]	1.304 [33.12]	1.196 [30.38]
37 OVER 37 74 CONTACTS	2.729 [69.32]	2.500 [63.50]	2.182 [55.42]	2.159 [54.84]	1.956 [49.68]	1.848 [46.94]



ORDERING CODE:

PART NUMBER: 6 E 1 7 H - C 7 4 M A J - 2 0 3

SERIES —————

BOARDLOCK OPTION
C=WITH BOARDLOCKS
O=WITHOUT BOARDLOCKS

NUMBER OF CONTACTS
18=2 x 9
30=2 x 15
50=2 x 25
74=2 x 37

STYLE
M=SOCKET OVER PIN,
.625" [15.88] PORT SPACING

SHELL CHARACTERISTICS
03=STEEL SHELLS, NICKEL PLATED, PLUG SHELL WITH GROUNDING DIMPLES AND RECEPTACLE SHELL WITHOUT DIMPLES

MOUNTING OPTIONS
0=Ø.120" [3.05] CLEAR HOLE
1=#4-40 THREADED HOLE
2=MOUNTING OPTION 1 WITH #4-40 UNC HEX JACK SOCKETS INSTALLED

CONTACT PLATING OPTIONS
BF=ENGAGEMENT AREA GOLD FLASH.
CF=ENGAGEMENT AREA 15µ" [0.38 MICRONS] GOLD
AJ=ENGAGEMENT AREA 30µ" [0.76 MICRONS] GOLD

LOCATE HOLES
⊕ Ø.005 [0.13]
POSITION DIMENSIONS ARE BASIC

RECOMMENDED P.C.B LAYOUT
(COMPONENT SIDE OF BOARD)

EDGE OF CONNECTOR FLANGE



DRAWN	J.LEE	DATE	OCT04/06
DESIGNED			
CHECKED	K.LAMBIE	DATE	OCT04/06
I. E. APPRD.			
Q. A. APPRD.			
DWG. APPRD.			
ENG. REL. NO.		DWG	DRAWING NO.
REF.	EAR 12957	C	P-6E17H-XXXMXX-X03
DIMENSIONS ARE IN	CODE ID. NO.	SCALE	WT. SURF. SHEET
INCHES	03554	2/1	-----

Amphenol Canada Corp.

6E17H SERIES DUAL PORT CONNECTOR, SOCKET OVER PIN, .625" [15.88] SPACING, PLATING & MOUNTING OPTIONS, RoHS COMPLIANT

REV.	C
DWG	C
SCALE	2/1
WT.	-----
SURF.	-----
SHEET	1 OF 1

THIS DOCUMENT CONTAINS PROPRIETARY INFORMATION AND SUCH INFORMATION MAY NOT BE DISCLOSED TO OTHERS FOR ANY PURPOSE OR USED FOR MANUFACTURING PURPOSES WITHOUT WRITTEN PERMISSION FROM AMPHENOL CANADA CORP.