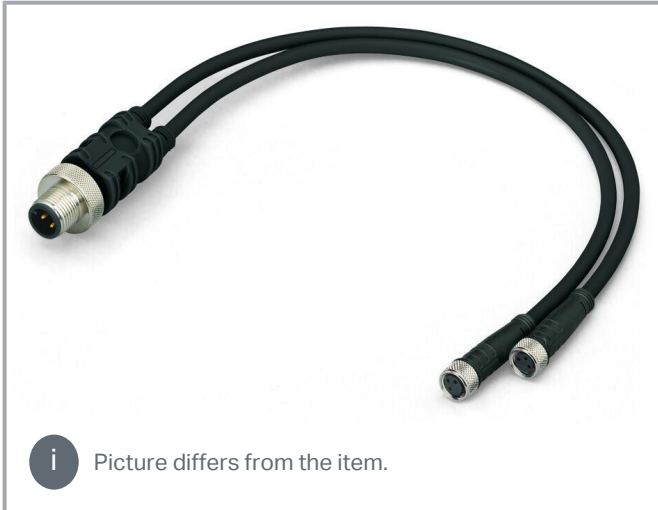


Data sheet | Item number: 756-5513/040-020

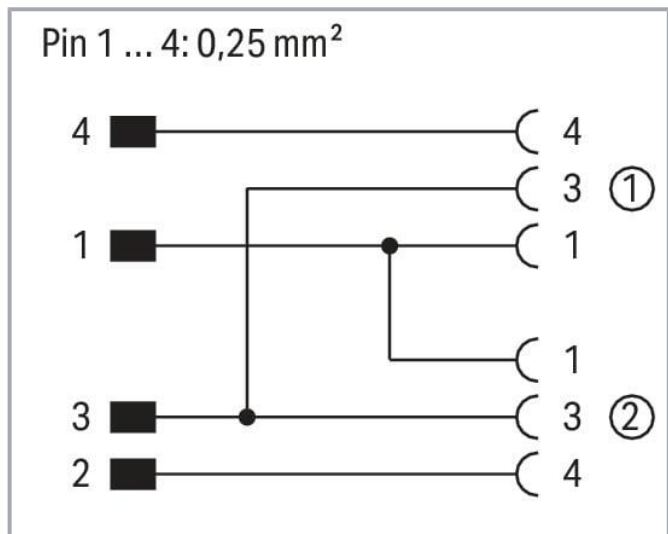
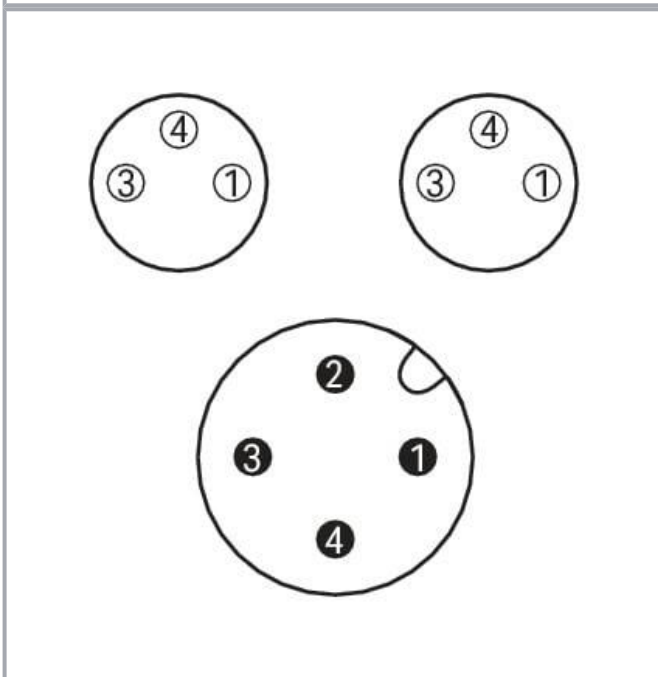
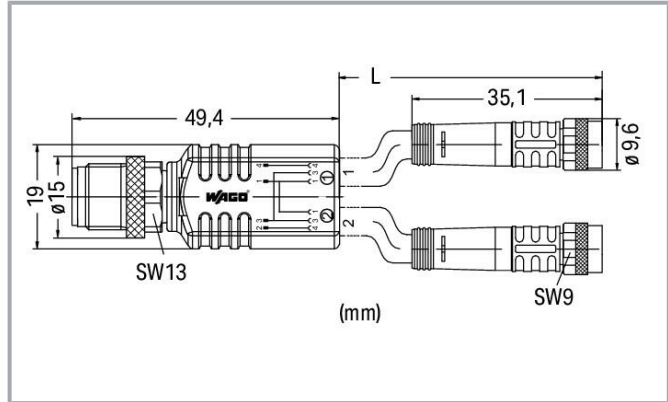
Sensor/Actuator cable; 2xM8 socket; straight; M12A plug; straight; 4-pole;  
Length: 2 m



[www.wago.com/756-5513/040-020](http://www.wago.com/756-5513/040-020)



 Picture differs from the item.



Item description

Short description:

—  
Subject to changes. Please also observe the further product documentation!

WAGO GmbH & Co. KG  
Hansastr. 27  
32423 Minden  
Phone: +49571 887-0 | Fax: +49571 887-169  
Email: [info.de@wago.com](mailto:info.de@wago.com) | Web: [www.wago.com](http://www.wago.com)

Do you have any questions about our products?  
We are always happy to take your call at +49 (571) 887-44222.



- PUR, halogen-free
- Suitable for drag chains
- High resistance to microbes, hydrolysis, oil, chemicals and UV radiation
- High chemical resistance
- Cable used: UL listed

## Data

### Technical data

#### General

Operating voltage	60 VAC/DC
Operating current	4 A
Rated surge voltage	1.5 kV
Contact resistance	10 mΩ
Conductor resistance	≤ 60 Ω/km
Pollution degree	3 per VDE 0110
Protection type	IP67
Ambient (operating) temperature (static)	-50 ... +90 °C
Ambient (operating) temperature (dynamic)	-25 ... +90 °C

#### Suitable for drag chains

Bending radius	10 x cable diameter (min.)
Bending cycles	2 Mio.
Acceleration (min.)	5
Travel speed (max.)	3.33
Travel path (horizontal) max.	5
Travel path (vertical) max.	2
Torsional capacity	180

#### Cable

Cable length	2 m
Type code	LiF9YH-11YH or LiF9YC11YFHF
Conductor configuration	Bare copper wire, fine-stranded (42 x 0.1 mm)
Conductor insulation	PP9Y (halogen-free)
Sheath material	Polyurethane (PUR), halogen-free per DIN VDE 0472 Part 815, flame resistant per IEC 332-2, self-extinguishing
Sheathed cable color	black

Subject to changes. Please also observe the further product documentation!



Sheathed cable diameter	3.9 ... 4.3 mm
-------------------------	----------------

## Connector

Connection type	M8 socket; M8 socket - M12 plug
Cable connection direction to mating direction	0°
Cable connection direction to mating direction (2)	0°
Connector interface coding (cable/adaptor) 2 1	A-coded
Housing material	Polyurethane (PUR)
Contact material	CuSn
Tightening torque	0.6 ... 1 Nm

## Commercial data

eCl@ss 10.0	27-06-03-11
eCl@ss 9.0	27-06-03-11
ETIM 8.0	EC001855
ETIM 7.0	EC001855
PU (SPU)	10 (1) pcs
Packaging type	Box
Country of origin	DE
GTIN	4044918994828
Customs tariff number	85444290900

## Environmental Product Compliance

CAS-No.	7439-92-1
REACH Candidate List Substance	Lead
RoHS Compliance Status	Compliant,With Exemption
RoHS Exemption	6(c)
SCIP notification number (Austria)	8f24bd5b-d1ce-4750-b6d5-f81fa8f81b4d
SCIP notification number (Belgium)	2a69b989-7943-4cce-859e-ed1ec1dea01f
SCIP notification number (Bulgaria)	3bdf01cc-d9d1-4ad1-84b7-0b3457d4e4a8
SCIP notification number (Czech Republic)	a307a410-f194-4907-a045-f8b7be3fcb2d
SCIP notification number (Denmark)	f9d55cde-a6e2-49c2-8ac9-f8e83b7329f4
SCIP notification number (Finland)	d6ddf9a1-7eae-46ed-a570-5eb101fedd1a
SCIP notification number (France)	b5cc3d1b-616c-4c5f-ac2a-2577cd10dc7d
SCIP notification number (Germany)	9a557481-c4c7-4672-881a-433c90fd9775
SCIP notification number (Hungary)	0a380dd1-6278-4d11-b33a-0bf911098719
SCIP notification number (Italy)	ee1c3748-7cc6-4cd5-a6a4-4648462d0ec1

Subject to changes. Please also observe the further product documentation!

WAGO GmbH & Co. KG  
 Hansastr. 27  
 32423 Minden  
 Phone: +49571 887-0 | Fax: +49571 887-169  
 Email: [info.de@wago.com](mailto:info.de@wago.com) | Web: [www.wago.com](http://www.wago.com)

Do you have any questions about our products?  
 We are always happy to take your call at +49 (571) 887-44222.



SCIP notification number (Netherlands)	0a6ffc85-1b76-43f5-9763-cc82278c3f40
SCIP notification number (Poland)	9902210e-d011-4969-a474-28323816abcb
SCIP notification number (Romania)	a98d18f4-e67f-4313-b44b-8dd7c6af4cad
SCIP notification number (Sweden)	b2aff29e-f208-41e2-8af9-3c92f2e9fb36

## Downloads

### Documentation

#### Bid Text

756-5513/040-020 X81 - Datei	2019 Feb 19	xml 3.2 kB	Download
756-5513/040-020 doc - Datei	2017 Sep 20	doc 27.1 kB	Download

#### System Description

IP67 Cables and Pluggable Connectors	pdf 161.6 kB	Download
--------------------------------------	-----------------	----------

## CAD/CAE-Data

### CAE data

WSCAD Universe 756-5513/040-020	URL	Download
WSCAD Universe 756-5513/040-020	URL	Download

## Environmental Product Compliance

### Compliance Search

Environmental Product Compliance 756-5513/040-020 Sensor/Actuator cable; 2xM8 socket; straight; M12A plug; straight; 4-pole; Length: 2 m	URL	Download
---------------------------------------------------------------------------------------------------------------------------------------------	-----	----------

## Installation Notes

Subject to changes. Please also observe the further product documentation!

WAGO GmbH & Co. KG  
Hansastr. 27  
32423 Minden  
Phone: +49571 887-0 | Fax: +49571 887-169  
Email: [info.de@wago.com](mailto:info.de@wago.com) | Web: [www.wago.com](http://www.wago.com)

Do you have any questions about our products?  
We are always happy to take your call at +49 (571) 887-44222.