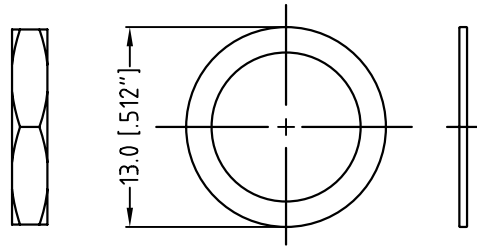
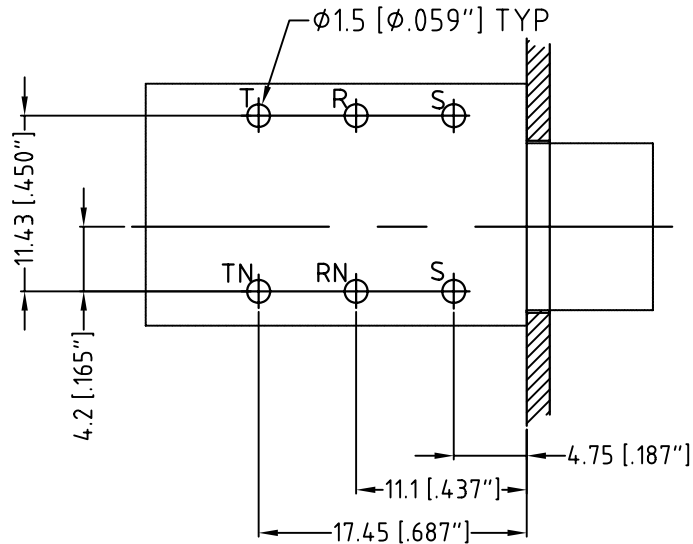
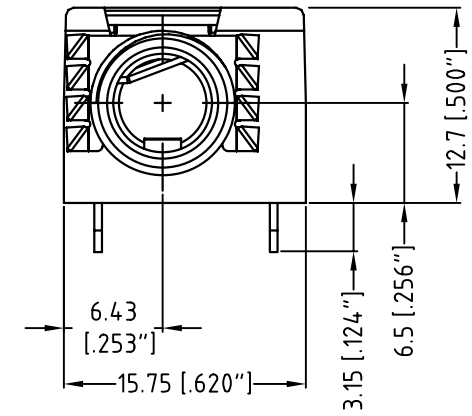
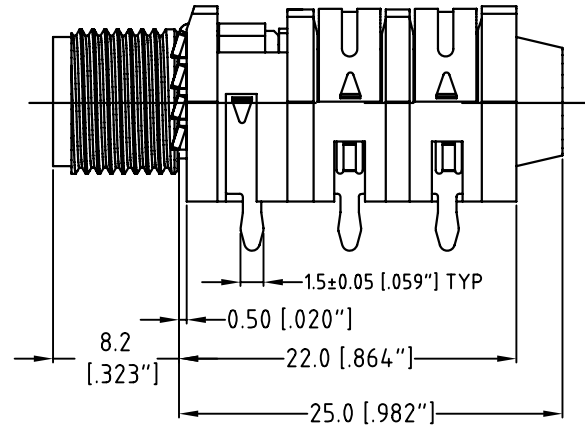


METAL NUT



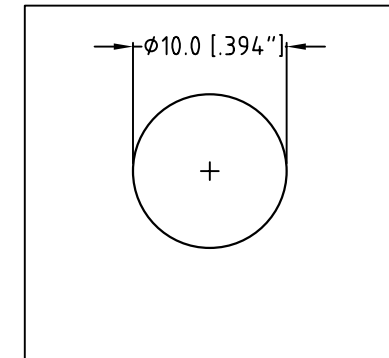
METAL WASHER



RECOMMENDED PCB - LAYOUT

TOLERANCE: ±0.05mm [0.002"]

PART NO.	ACJM-MHOM	ACJS-MHOM
SCHEMATIC		



PANEL CUTOUT

UNLESS OTHERWISE SPECIFIED TOLERANCE TO BE		THIS DOCUMENT IS THE PROPERTY OF AMPHENOL AUSTRALIA PTY. LTD.. NO PART THEREOF MAY BE REPRODUCED AND USED WITHOUT THE PRIOR WRITTEN CONSENT OF THE OWNER			
LINEAR	ANGULAR	CAD FILE: 55010411000111	DRN: M.N.H	DATE: 06-02-07	TITLE:
X ± 0.5	X° ± 1°	MATL: SEE NOTES	CKD: M.H	DATE: 10-02-10	1/4" PHONE OFFSET JACK CUSTOMER DRAWING
X.X ± 0.2	X°X' ± 30'	DO NOT SCALE	FINISH: SEE NOTES	DATE: 10-02-10	
X.XX ± 0.1	X°X'X" ± 15"	DIMENSIONS IN MILLIMETRES	THIRD ANGLE PROJECTION	SCALE: 1:1	PART No: REFER TO SCHEMATIC

1	UPDATE DRAWING TO MEET PRODUCTION PART	MH	10-02-10	----
0	FIRST ISSUE	M.N.H	06-02-07	----
REV.	CHANGE DETAILS	BY	DATE	CHG/No
DRAWING NO. 55010411-000-1		SHEET 1 OF 1		

Amphenol
Amphenol Australia Pty Ltd, 2 Freeways Blvd, Keysborough, Vic.3173