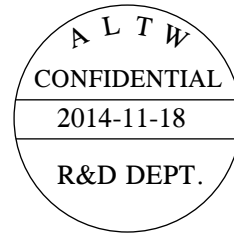
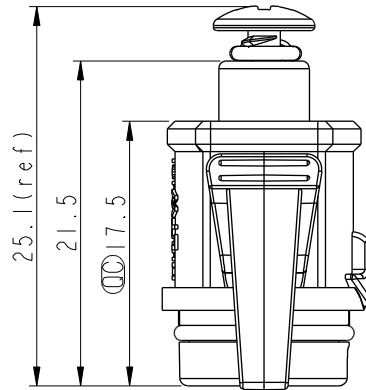
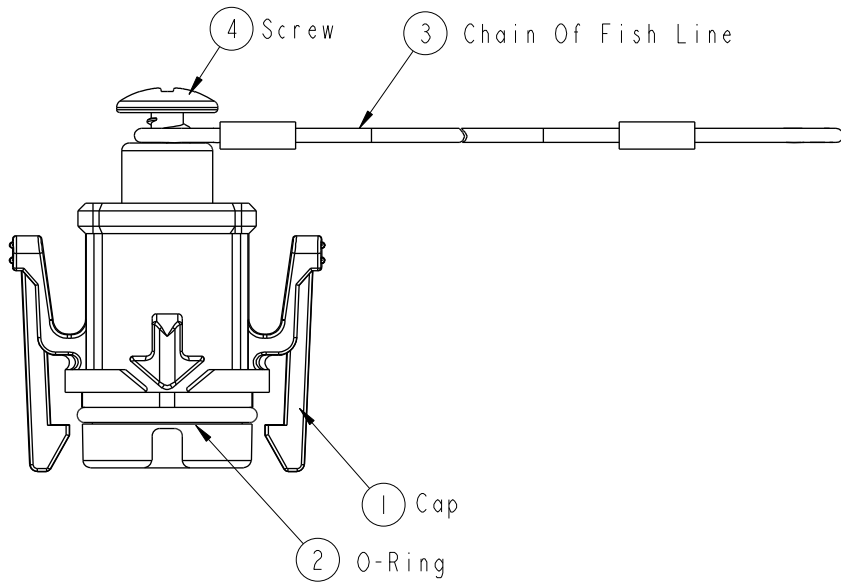
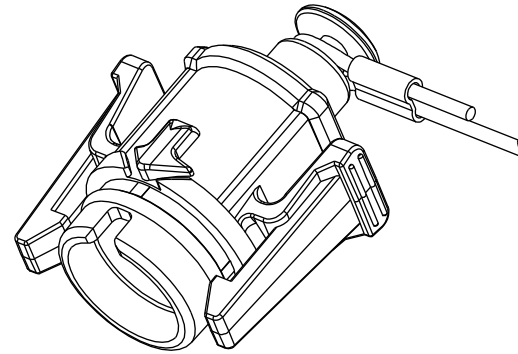
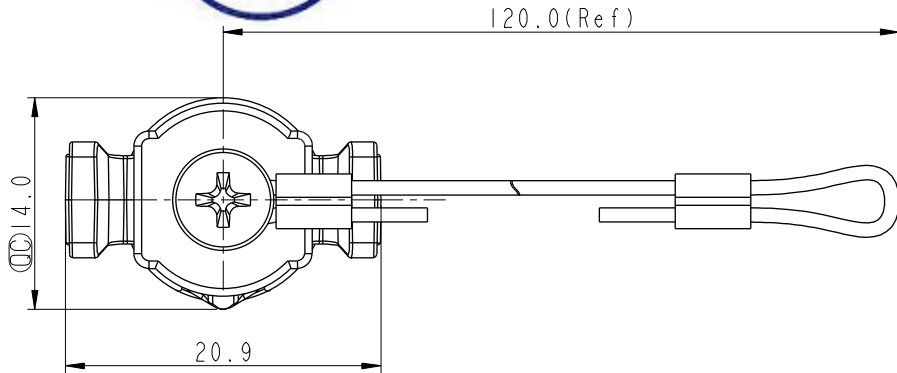


REV.	ECN NO.	DATE	SIGN	DESCRIPTION



- Note:
- \*  $\varnothing$  Important Dimension To Check.
  - \* Waterproof Rate: IP68
  - \* Cap: PP, Black
  - \* O-ring: Silicone, Gray
  - \* Screw: Stainless.
  - \* Fish Line: Nylon.

UNIT:mm		
TOLERANCE	.X ±0.25	
.XX ±0.1		
.XXX ±0.05		
ANGLES	±1°	

TITLE X-Lok B-Size Waterproof Cap For Male Conn.		
SCALE 2:1	SIZE A4	SHEET 1 OF 1
REV. A	WC-REV. A.7	$\varnothing$ : Inspection item

**Amphenol LTW**  
安費諾亮泰企業股份有限公司

ITEM NO CAP-WABMQMD1	DRAWN BY Micky	DATE 2014-11-18
DWG NO CAP-WABMQMD1	CHECKED BY Spring	DATE 2014-11-18
CUSTOMER ALTW	APPROVED BY Kevin	DATE 2014-11-18

THIS DOCUMENT IS SUBJECT TO CHANGE WITHOUT NOTICE. IT IS CONFIDENTIAL AND A PROPERTY OF Amphenol LTW. DISCLOSURE TO THIRD PARTY HAS TO BE AUTHORIZED BY Amphenol LTW.