

MATERIAL:

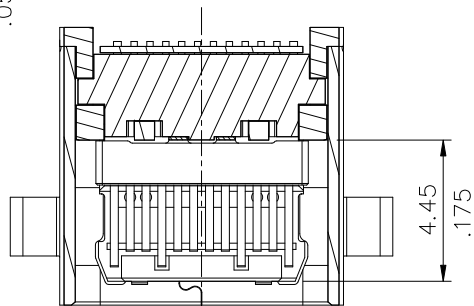
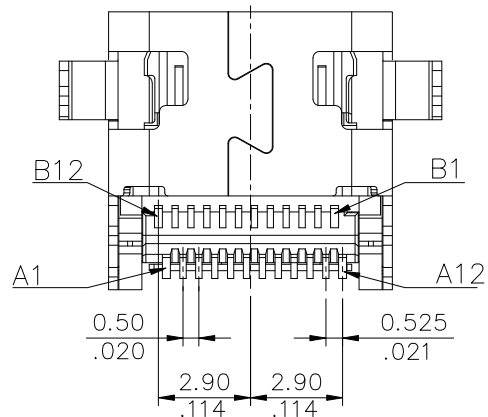
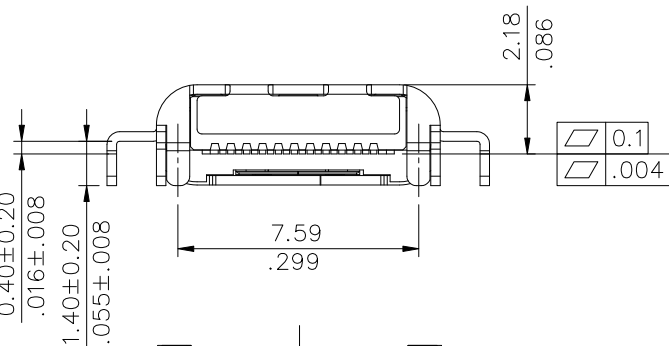
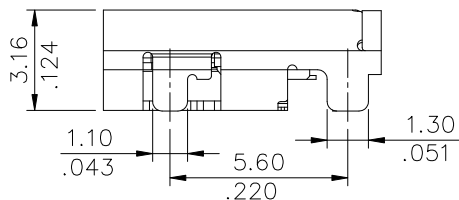
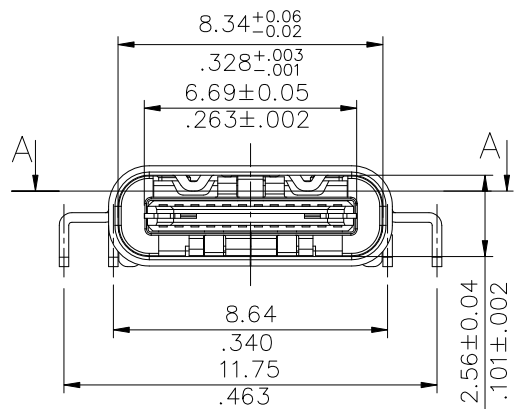
- 1.HOUSING: LCP, GLASS FIBER FILLED, BK
- 2.CONTACT: COPPER ALLOY
- 3.GUARD PLATE: STAINLESS STEEL
- 4.SHIELD: STAINLESS STEEL

FINISH:

- CONTACT: SEE ORDER INFORMATION
- SHELL: NICKEL PLATING

Ordering Code:

CU30 24 S * B A L R 001 -LF
 ① ② ③ ④ ⑤ ⑥ ⑦ ⑧ ⑨



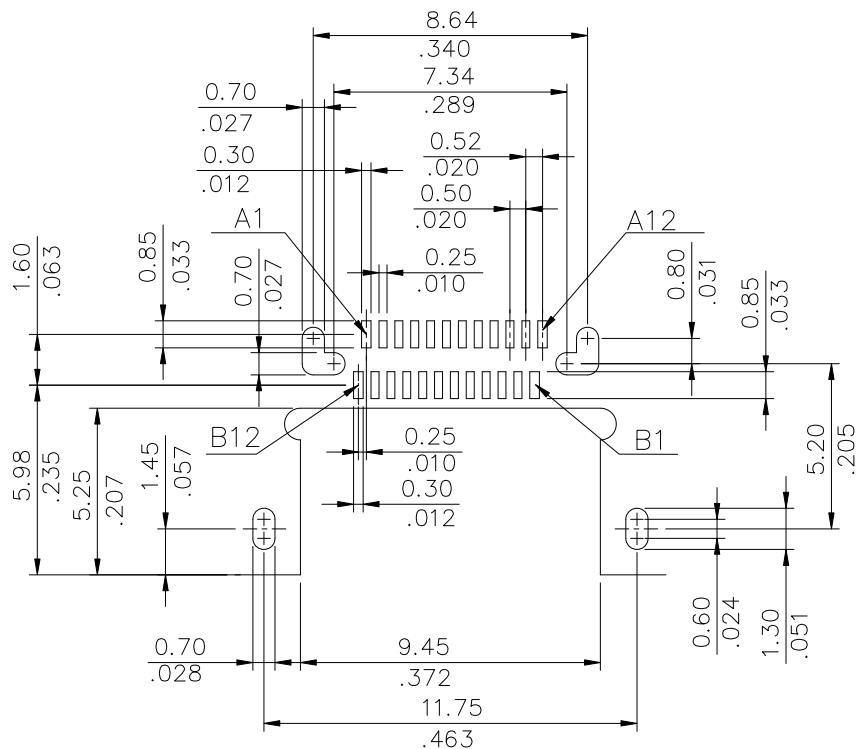
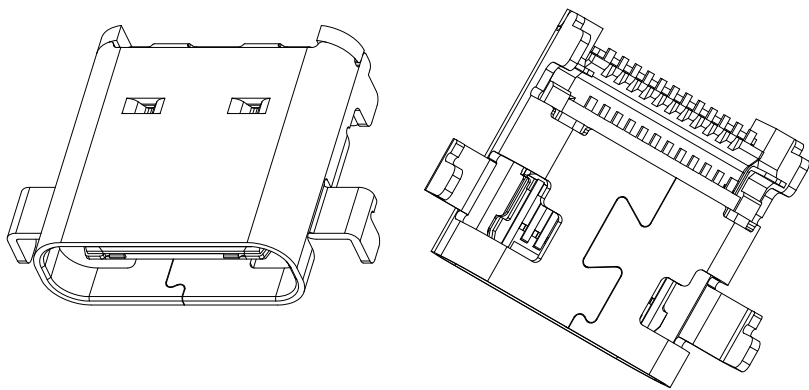
- ① Series No.
- ② No of Circuits:
- ③ S= Socket
- ④ Plating options:
 - A= Gold flash plated on Contact area, Matte Tin plated on Solderails, Nickel underplating over all
 - B= 15u" gold plated on Contact area, Matte Tin plated on Solderails, Nickel underplating over all
 - C= 30u" gold plated on Contact area, Matte Tin plated on Solderails, Nickel underplating over all
- ⑤ Shell Material & Plating :
 - B=SUS 301 Ni Plated
- ⑥ Contact Material: COPPER ALLOY
- ⑦ Insulator Material & Color option:
 - L=Lcp Black
- ⑧ Packing Options: R= Reel Packing
- ⑨ -LF= For Lead Free IR Reflow Process

Lead Free Process RoHS Compliant

④					DATE	UNIT: mm / inch	TITLE: U.S.B TYPE C SOCKET SMT
③				DRAWN BY: Mark	8/06-19'	TOLERANCE UNLESS OTHERWISE SPECIFIED	Middle mount Right angle
②				ENGINEER: Mark	8/06-19'		MATERIAL:
①				CHECKED BY: KENY	8/06-19'	.X ± 0.25/.010 X." ± 4"	FINISH:
SYM	NAME	DATE	REVISIONS	APPROVED BY: Lawrence	8/06-19'	.XX ± 0.20/.008 .X" ± 2"	
						.XXX ± 0.10/.004 .XX" ±	

瀚荃股份有限公司
CviLux Corporation

DRAWING NO.	CU30SO1SA	PART NO.	CU3024SABALR001-LF
SCALE	4 / 1	SHEET	1 OF 3



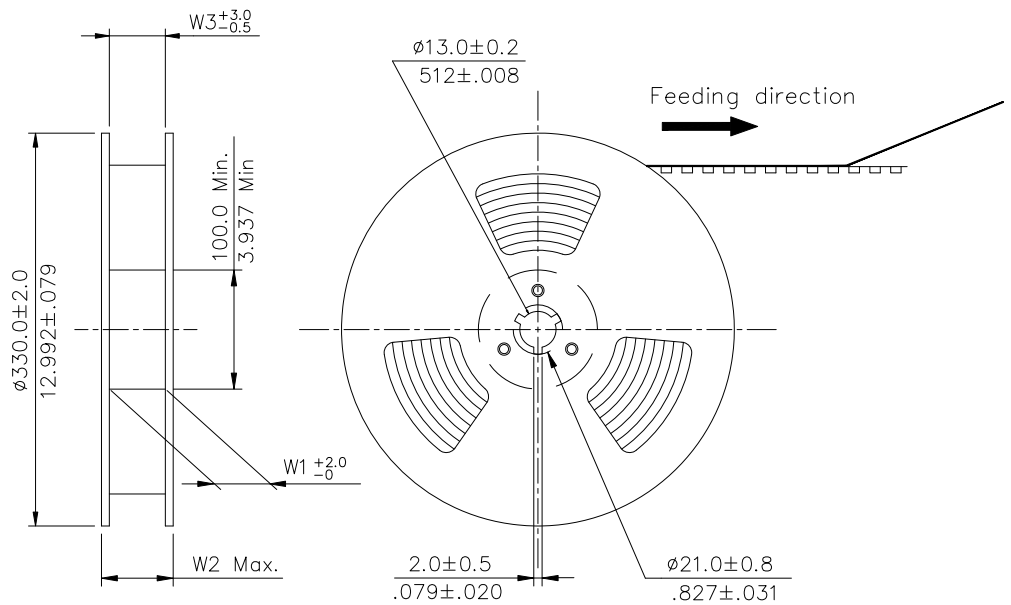
PCB LAYOUT
RECOMMENDED P.C.B. LAYOUT (T:1.00mm)
TOLERANCE ±0.05mm

USB TYPE-C FULL-FEATURED RECEPTACLE INTERFACE PIN ASSIGNMENTS

PIN	Signal Name	Description	PIN	Signal Name	Description
A1	GND	Ground return	B12	GND	Ground return
A2	SSTXp1	Positive half of first SuperSpeed TX differential pair	B11	SSRXp1	Positive half of first SuperSpeed RX differential pair
A3	SSTXn1	Negative half of first SuperSpeed TX differential pair	B10	SSRXn1	Negative half of first SuperSpeed RX differential pair
A4	Vbus	Bus Power	B9	VBUS	Bus Power
A5	CC1	Configuration Channel	B8	SBU2	Sideband Use(SBU)
A6	Dp1	Positive half of the USB 2.0 differential pair-Position 1	B7	Dn2	Negative half of the USB 2.0 differential pair-Position 2
A7	Dn1	Negative half of the USB 2.0 differential pair-Position 1	B6	Dp2	Positive half of the USB 2.0 differential pair-Position 2
A8	SBU1	Sideband Use(SBU)	B5	CC2	Configuration Channel
A9	VBUS	Bus Power	B4	VBUS	Bus Power
A10	SSRXn2	Negative half of second SuperSpeed RX differential pair	B3	SSTXn2	Negative half of second SuperSpeed TX differential pair
A11	SSRXp2	Positive half of second SuperSpeed RX differential pair	B2	SSTXp2	Positive half of second SuperSpeed TX differential pair
A12	GND	Ground return	B1	GND	Ground return

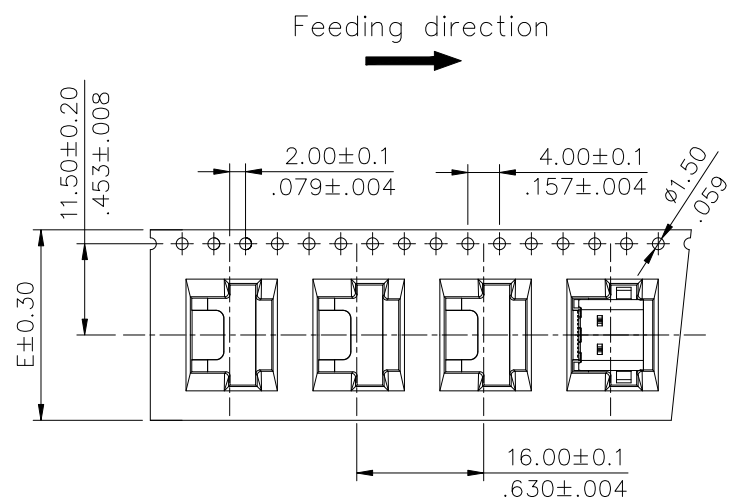
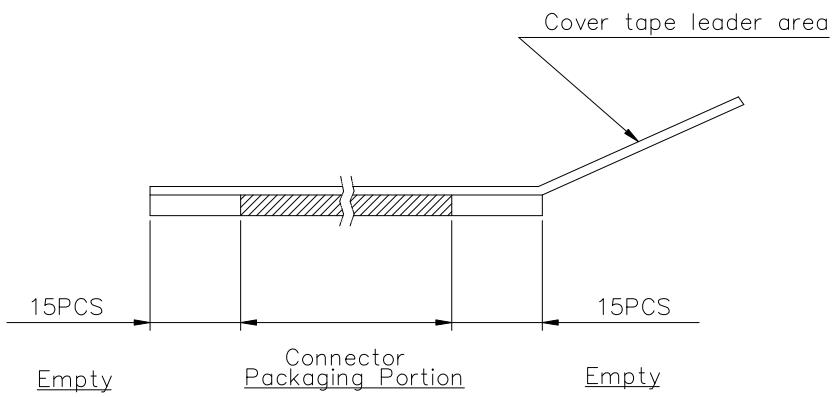
Lead Free Process RoHS Compliant

					DATE	UNIT: mm / inch	TITLE: USB TYPE C SOCKET SMT Middle mount Right angle	 瀚荃股份有限公司 CviLux Corporation
				DRAWN BY: Mark	8/06-19'	TOLERANCE UNLESS OTHERWISE SPECIFIED	MATERIAL:	
				ENGINEER: Mark	8/06-19'	.X ± 0.25/.010 X.* ± 4*		
				CHECKED BY: KENY	8/06-19'	.XX ± 0.20/.008 .X.* ± 2*	FINISH:	
SYM	NAME	DATE	REVISIONS	APPROVED BY: Lawrence	8/06-19'	.XXX ± 0.10/.004 .XX.* ±		DRAWING NO. CU30SO1SA PART NO. CU3024SABALR001-LF
SCALE		2 / 1		SHEET 2 OF 3				



- NOTE :
- * Reel Material : HIPS
 - * Carrier Material : Clear, Conductive Polystyrene Alloy
 - * Cover Tape Material : Polyester
 - * Cover Tape Peel Strength : 0.1N – 1.3N
 - * Carrier camber is within 1mm in 250mm
 - * All dimensions meet EIA-481-B requirements.
 - * Quantity : 1200 PCS/Reel

Dimension				Packing (Reel/Carton)
E	W1	W2	W3	
24.0(.945)	24.5(.965)	30.5(1.201)	24.5(.965)	10



WIDTH : 24 mm Carrier

RoHS Compliant

SYM	NAME	DATE	REVISIONS	APPROVED BY:	DATE	UNIT: mm / inch	TITLE: U.S.B TYPE C SOCKET SMT Middle mount Right angle	MATERIAL:	FINISH:	DRAWING NO.	CU30S01SA	PART NO.	CU3024SABALR001-LF
4					DATE	UNIT: mm / inch	TITLE: U.S.B TYPE C SOCKET SMT Middle mount Right angle	MATERIAL:	FINISH:	DRAWING NO.	CU30S01SA	PART NO.	CU3024SABALR001-LF
3				DRAWN BY:	Mark	8/06-19'	TOLERANCE UNLESS OTHERWISE SPECIFIED			SCALE		SHEET	3 OF 3
2				ENGINEER:	Mark	8/06-19'	.X ±	X' ± 1'					
1				CHECKED BY:	KENY	8/06-19'	.XX ±	.X' ±					
				APPROVED BY:	Lawrence	8/06-19'	.XXX ±	.XX' ±					

