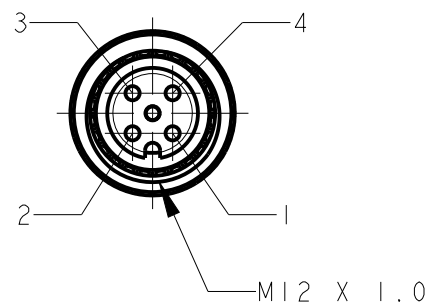
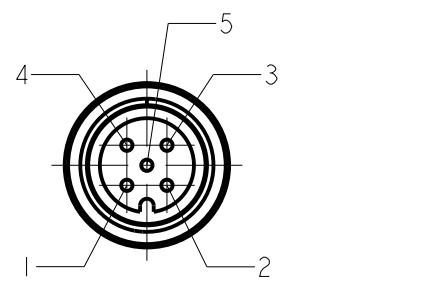
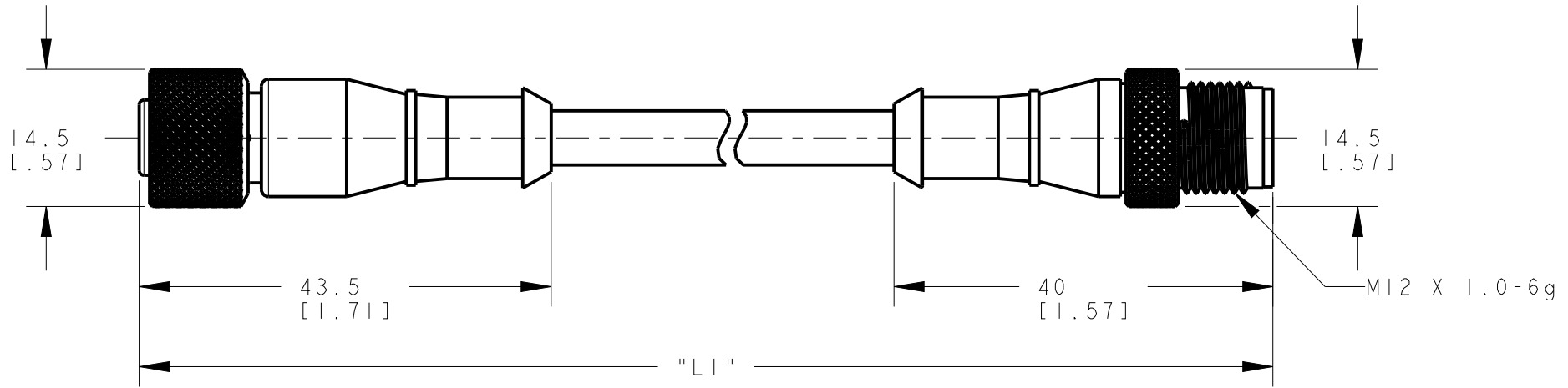


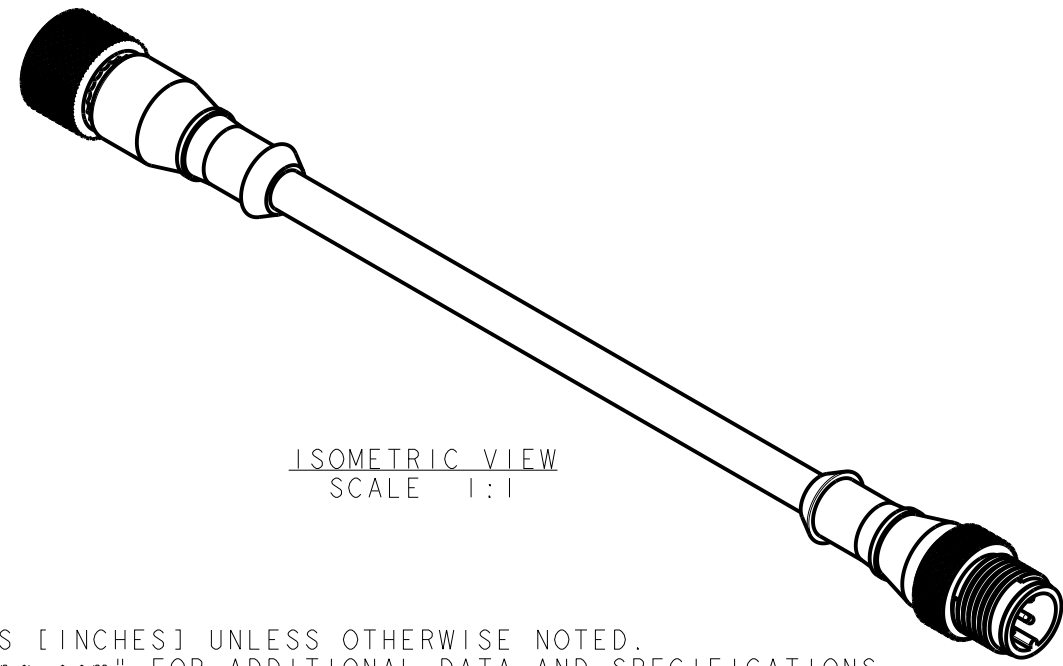
TABLE OF LENGTHS		
P/N	MODEL NO.	"L1" (m)
17140	DEE7-41D	0.305



- FEMALE POLES**
1. RED
 2. GREEN
 3. RED/WHITE
 4. RED/BLACK



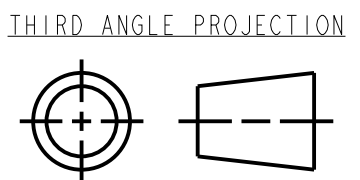
- MALE POLES**
1. RED
 2. GREEN
 3. RED/WHITE
 4. RED/BLACK
 5. JUMPER TO PIN 1



ISOMETRIC VIEW
SCALE 1:1

NOTES:
 1. ALL DIMENSIONS ARE MILLIMETERS [INCHES] UNLESS OTHERWISE NOTED.
 2. REFER TO "www.bannerengineering.com" FOR ADDITIONAL DATA AND SPECIFICATIONS.

This drawing is the property of BANNER ENGINEERING CORP. Any use or reproduction, in any form, without prior written permission of Banner is prohibited.
 © 2015 Banner Engineering Corp.



		BANNER ENGINEERING CORP.	
		www.bannerengineering.com	
TITLE			
DEE7-41D			
SIZE	DRAWING NO.	REV.	
B	215022	A	
SCALE	SHEET		
3:2	1 OF 1		