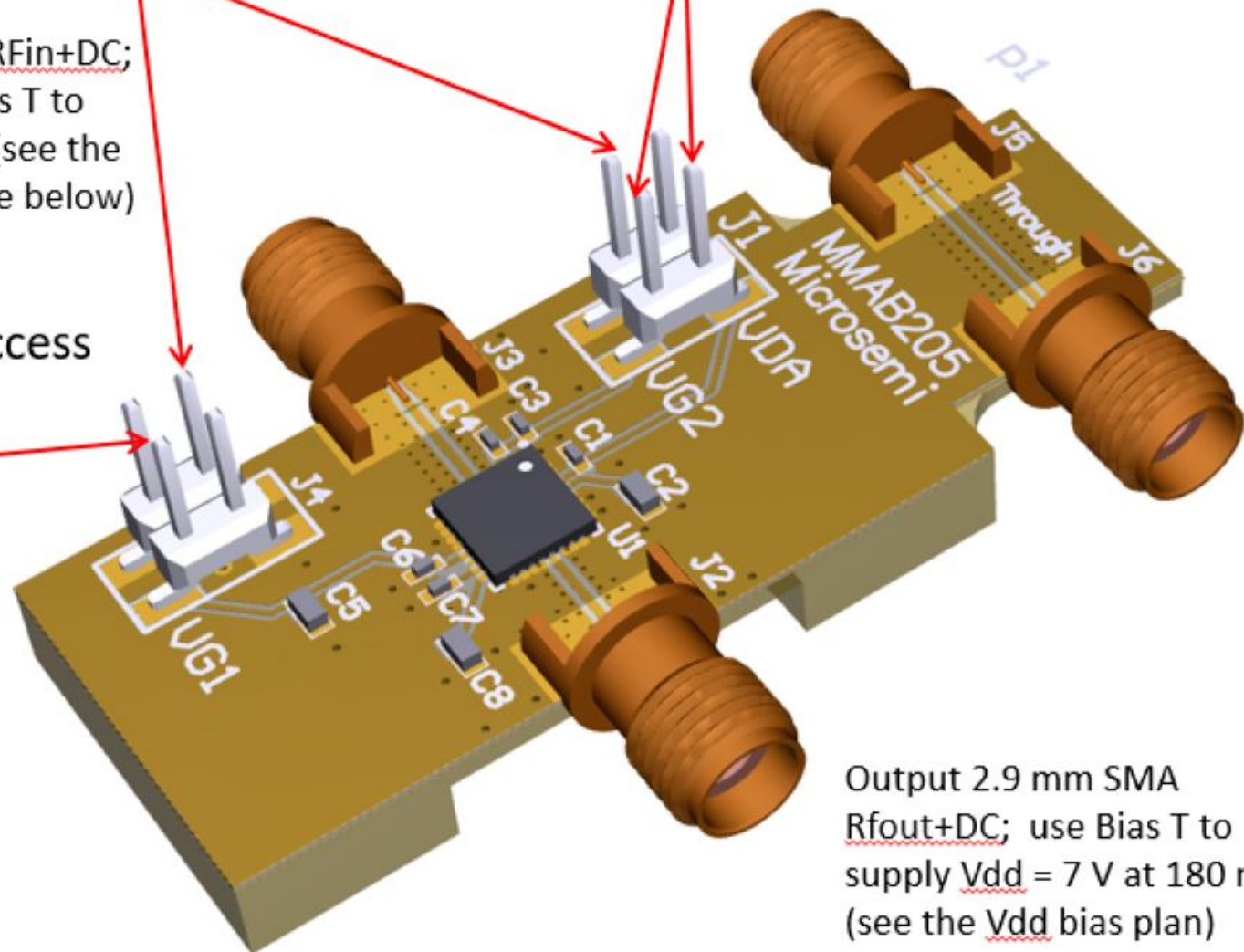


Two other pins  
are Ground

Input 2.9 mm SMA RFin+DC;  
use  $V_{G1}$  direct or Bias T to  
supply  $V_{G1} = -0.3$  V (see the  
bias setup procedure below)

$V_{G1}$  alternative access  
through the DC  
connector

$V_{G2}$  connect  
to Vda pin



Output 2.9 mm SMA  
Rfout+DC; use Bias T to  
supply Vdd = 7 V at 180 mA  
(see the Vdd bias plan)