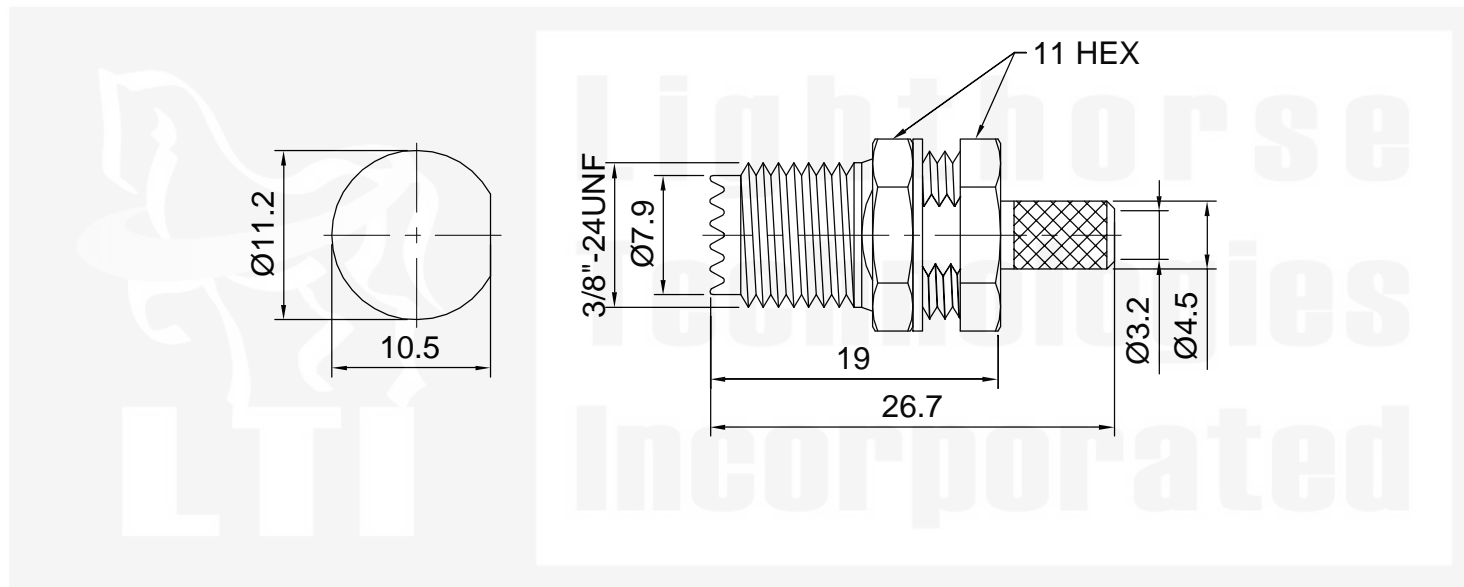



<b>Tolerances</b> 1-20=+/-0.2 20-30=+/-0.3 30-40=+/-0.4 40-50=+/-0.5 50-100=+/-0.75 100-300=+/-1.5 Angles=+/-1 <b>Dimensions are in Millimeters</b>	Revisions	Approved	Date
	Description/Approved/Date	M.H.	07/14/99
		Checked	Date
		M.H.	07/14/99
	Drawn	Date	
	K.R.E.	07/14/99	
NOTES (plating thickness in micro-inches): 1. Per QQ-B-626 2. Per QQ-S-764 3. Per QQ-C-530 4. Per QQ-B-750 5. Per MIL-P-19468 6. Per ZZ-R-765 7. Per WW-T-799 8. Gold pl. 50 min. over nickel pl. 50 min. over copper strike 9. Nickel pl. 100 min. over copper strike 10. Per QQ-P-35 11. Gold pl. 30 min. over nickel pl. 50 min. over copper strike			



ITEM	MATERIAL	FINISH	 <b>Lighthorse Technologies, Inc.</b> 4907 Morena Boulevard, #1411 San Diego, California 92117 Part Number: <b>LTI-MSF13NT-58</b>		
Connector Body	Brass, Note 1	Nickel, Note 9	Description Mini-UHF Bulkhead Crimp Jack for RG-58		
Center Contact: Female	Beryllium Copper, Note 3	Gold, Note 11			
Insulation	Teflon, Note 5	None	Scale 2:1		
Ferrule	Annealed Copper, Note 7	Same as body			
Gasket	--	--	Drawing No. M/MSF13		
Hex Nut	Brass, Note 1	Same as body			
Lock Washer	Brass, Note 1	Same as body	File Name MSF13		