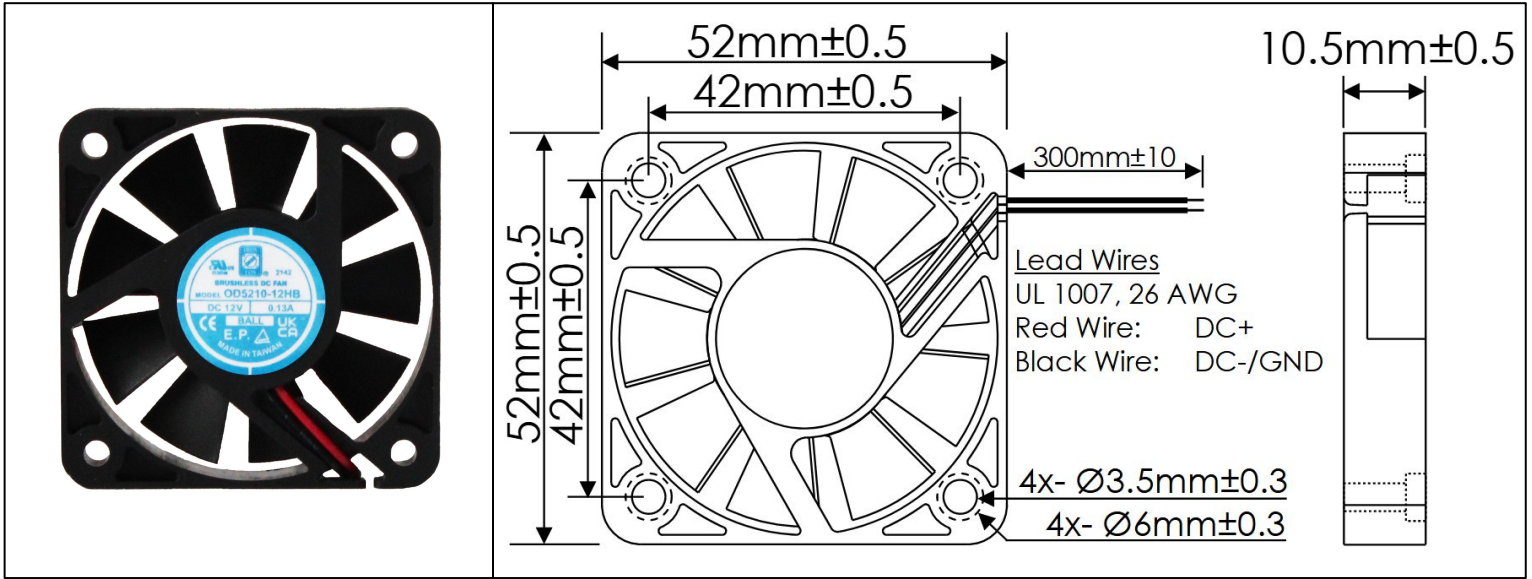


OD5210 High Speed Series



DC Fans - 5, 12, 24V
52mm x 10.5mm (2.0" x 0.4")



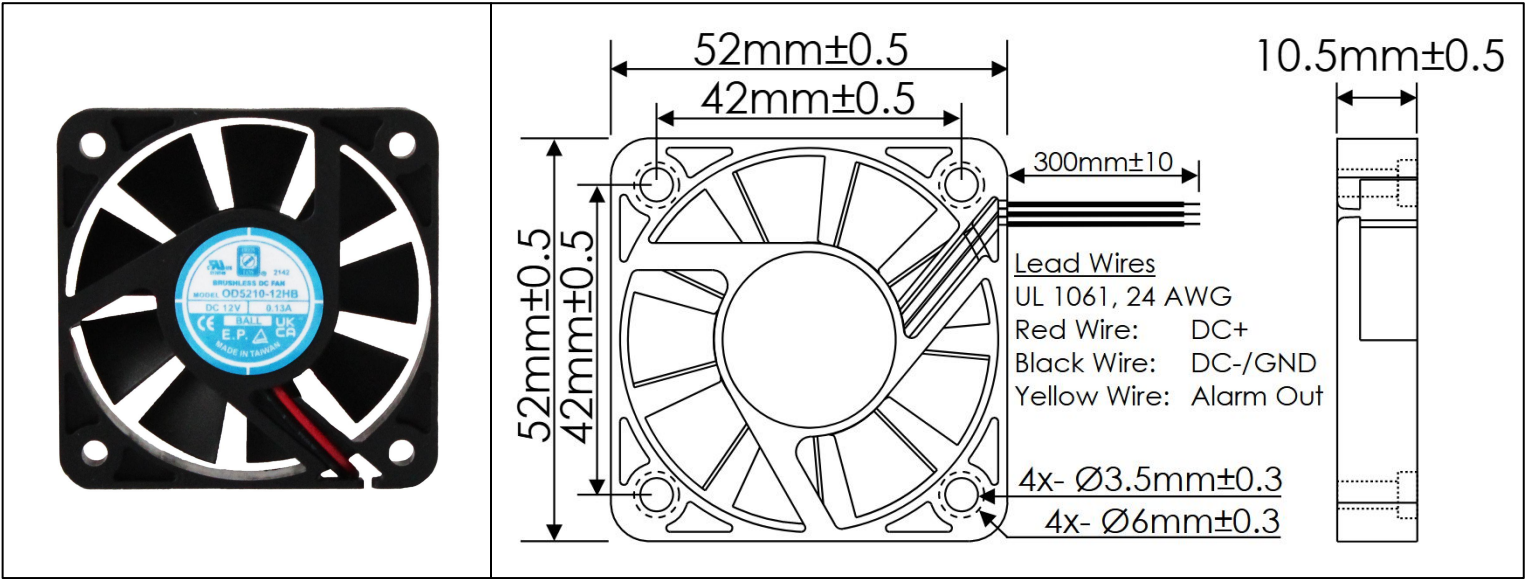
Frame	PBT, UL94 V-0 Plastic	Operating Temperature -20°C ~ +65°C Storage Temperature -20°C ~ +75°C Life Expectancy 70,000 Hours (L10 at 40°C) Available Options PWM Speed Control Input Tachometer Output Alarm Output IP Ratings Weight: 0.05 lbs	
Impeller	PBT, UL94 V-0 Plastic		
Connection	2x Wire Leads, 26 AWG		
Motor	Brushless DC, Auto Cutoff, Auto Restart, Electronically Protected, Polarity Protected		
Bearing System	Ball Bearings		
Dielectric Strength	500VDC/min, <1mA		
Insulation Resistance	≥10MΩ @ 500VDC		

Part Number	Rated Voltage (Volts DC)	Voltage Range (Volts DC)	Input Power (Watts)	Rated Current (Amps)	Rated Speed (RPM)	Max Airflow (CFM)	Noise Level (dBA)	Max Static Pressure ("H ₂ O)
OD5210-05HB	5	4.5 ~ 5.5	1.25	0.25	5950	12.0	37.8	0.20
OD5210-12HB	12	12 ~ 13.8	1.60	0.13	5950	12.0	37.8	0.20
OD5210-24HB	24	14 ~ 26.4	2.64	0.11	5950	12.0	37.8	0.20

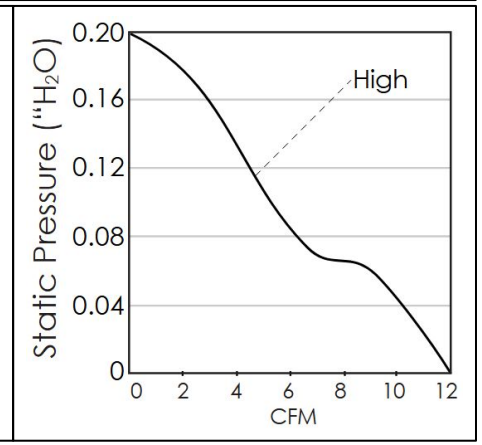


OD5210 High Speed Series with Alarm

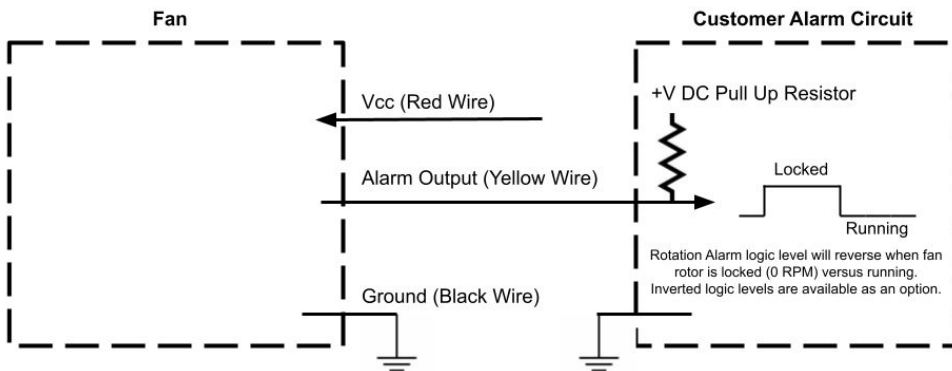
DC Fans - 5, 12, 24V
52mm x 10.5mm (2.0" x 0.4")



Frame	PBT, UL94 V-0 Plastic	Operating Temperature -20°C ~ +65°C Storage Temperature -20°C ~ +75°C Life Expectancy 70,000 Hours (L10 at 40°C) Installed Options Open Collector Alarm Output Available Options Inverted Alarm Logic Weight: 0.05 lbs
Impeller	PBT, UL94 V-0 Plastic	
Connection	3x Wire Leads, 24 AWG	
Motor	Brushless DC, Auto Cutoff, Auto Restart, Electronically Protected, Polarity Protected	
Bearing System	Ball Bearings	
Dielectric Strength	500VDC/min, <1mA	
Insulation Resistance	≥10MΩ @ 500VDC	



Part Number	Rated Voltage (Volts DC)	Voltage Range (Volts DC)	Input Power (Watts)	Rated Current (Amps)	Rated Speed (RPM)	Max Airflow (CFM)	Noise Level (dBA)	Max Static Pressure ("H ₂ O)
OD5210-05HB02A	5	4.5 ~ 5.5	1.25	0.25	5950	12.0	37.8	0.20
OD5210-12HB02A	12	12 ~ 13.8	1.60	0.13	5950	12.0	37.8	0.20
OD5210-24HB02A	24	14 ~ 26.4	2.64	0.11	5950	12.0	37.8	0.20



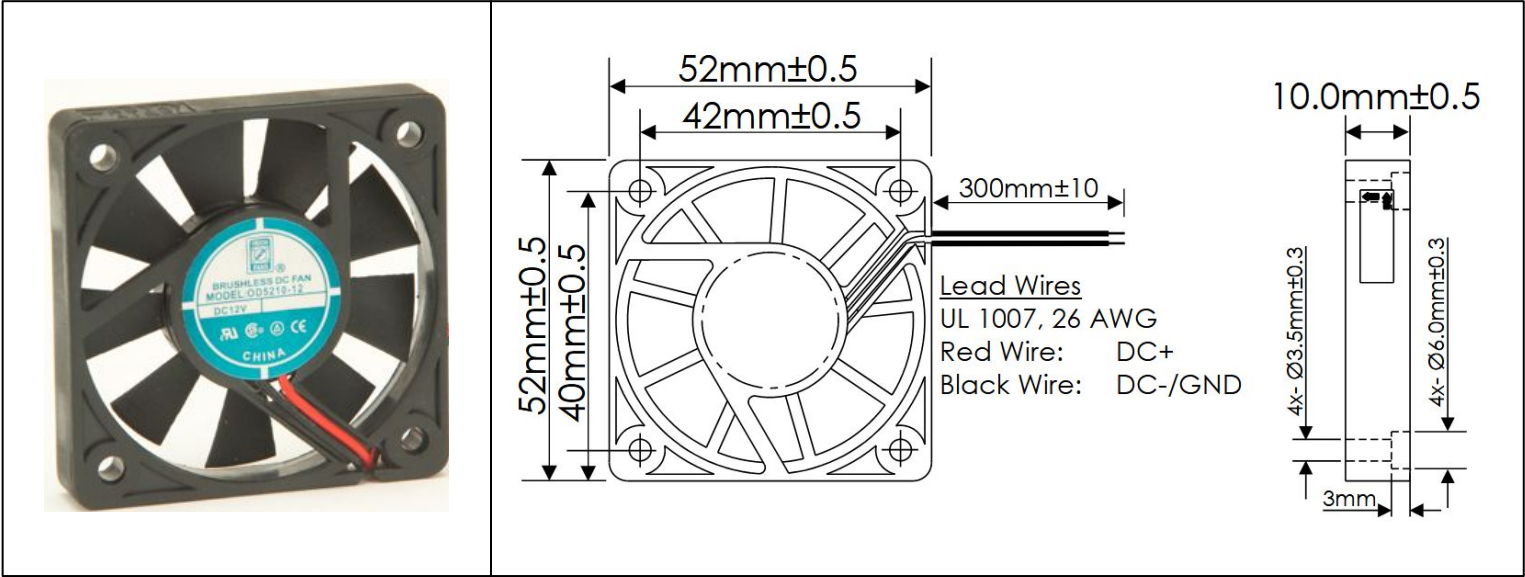
Alarm Max Pullup Voltage: Fan Vcc
 Alarm Max Sink Current: 5mA
 Alarm Active Locked Rotor State: HIGH



OD5210 Medium Speed



DC Fans - 12V
52mm x 10mm (2.0" x 0.4")



Frame	PBT, UL94 V-0 Plastic	<u>Operating Temperature</u> -20°C ~ +65°C <u>Storage Temperature</u> -20°C ~ +75°C <u>Life Expectancy</u> 70,000 Hours (L10 at 40°C) Weight: 0.05 lbs
Impeller	PBT, UL94 V-0 Plastic	
Connection	2x Wire Leads, 26 AWG	
Motor	Brushless DC, Auto Cutoff, Auto Restart, Electronically Protected, Polarity Protected	
Bearing System	Ball Bearings	
Dielectric Strength	500VDC/min, <1mA	
Insulation Resistance	≥10MΩ @ 500VDC	

Part Number	Rated Voltage (Volts DC)	Voltage Range (Volts DC)	Input Power (Watts)	Rated Current (Amps)	Rated Speed (RPM)	Max Airflow (CFM)	Noise Level (dBA)	Max Static Pressure ("H ₂ O)
OD5210-12MB	12	8 ~ 13.8	1.44	0.12	5000	10.0	32	0.11