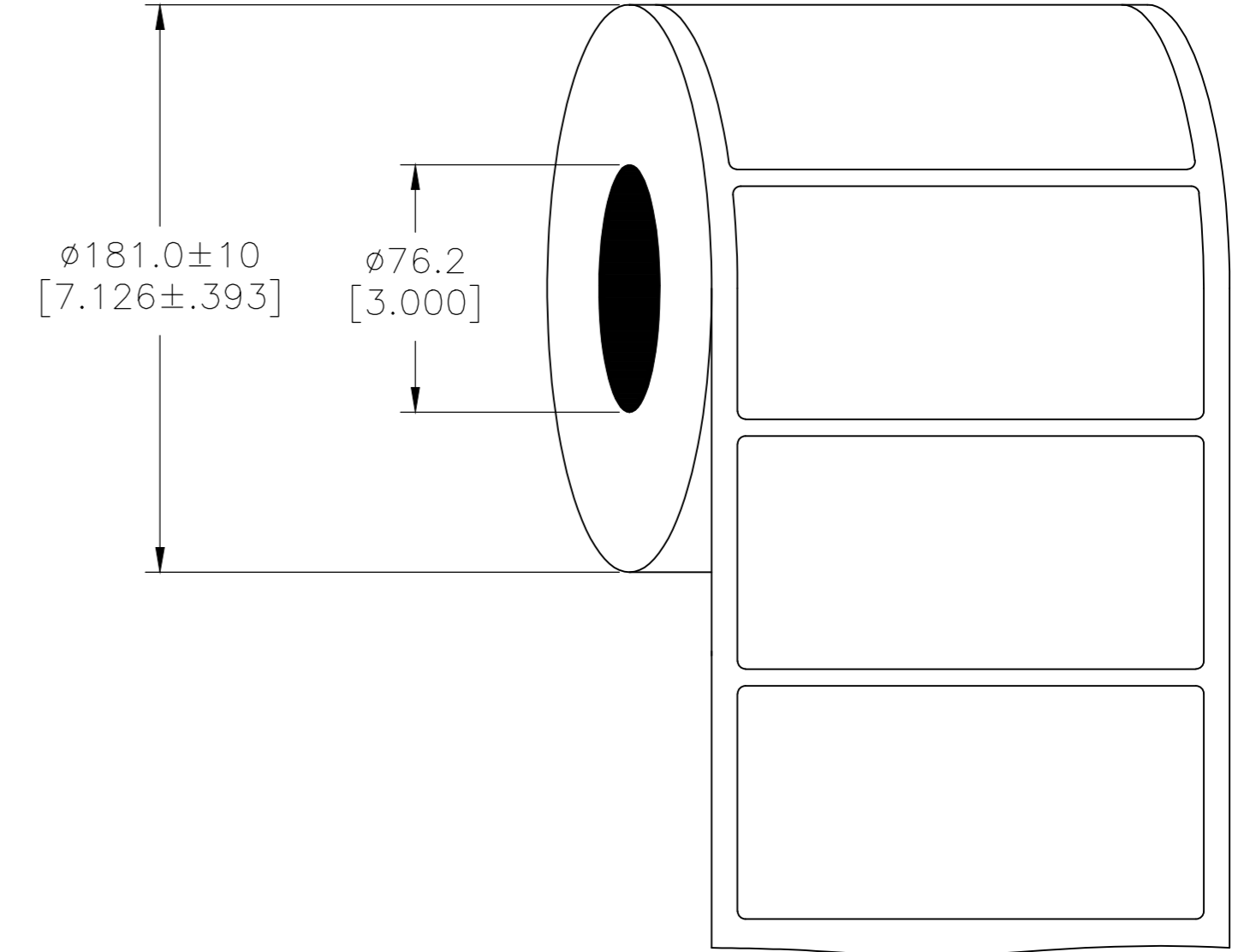
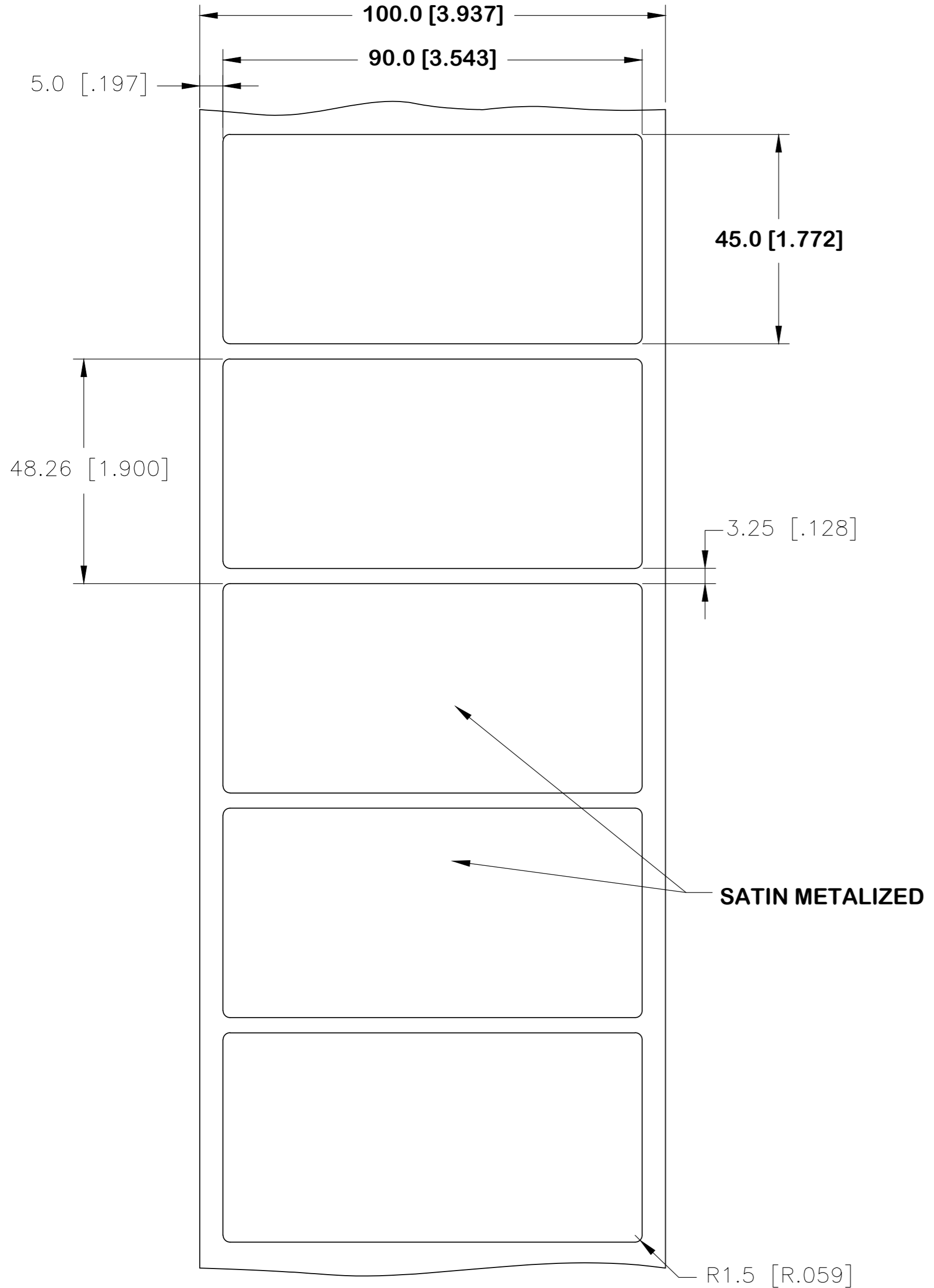


THIS DRAWING IS UNPUBLISHED. RELEASED FOR PUBLICATION JUN , 2018.
 © COPYRIGHT 2017 By TE Connectivity ALL RIGHTS RESERVED.

REVISIONS					
P	LTR	DESCRIPTION	DATE	DWN	APVD
	A	NEW DRAWING	07OCT2017	GK	DB
	A1	UL TABLE UPDATED	06JUN2018	GK	DB

LABEL AND LINER DESIGN

PRESENTATION



OUTSIDE WOUND LABEL ACROSS: 1 PER ROLL QTY: 500

All dimensions in mm [Inch]

TE PN: 2322612-1

UL-MARKING AND LABELLING SYSTEMS	
PGJ12 - Printing Materials - Component (UL 969)	
PGJ18 - Printing Materials Certified for Canada - Component (CSA C22.2 No. 0.15)	
File: MH17292	Product design: PL-8A Ribbon: TTB-XXXSC/YYYYAQ529

TOLERANCES mm [INCH]	
LABEL HEIGHT:	± 0.3 [.012]
LABEL WIDTH:	± 0.3 [.012]
WEB WIDTH:	± 0.5 [.020]
VERTICAL REPEAT:	± 0.5 [.020]*
HORIZONTAL REPEAT:	± 0.5 [.020]*
LABEL POSITIONING:	± 0.5 [.020]*
LEFT MARGIN:	± 0.5 [.020]
QUANTITY:	-0 % +2 %
*NON ACCUMULATING	

MATERIAL		POLYESTER SATIN METALIZED	
ADHESIVE TYPE		ACRYLIC PE FOAM	
LINEAR		BROWN KRAFT	
DWN		GOPALAKRISHNA HV	
CHK		D.BURGAT	
APVD		D.BURGAT	
PRODUCT SPEC		TTDS-245	
APPLICATION SPEC		-	
WEIGHT	1.908 _g	SIZE	A2
CUSTOMER DRAWING		CAGE CODE	FB1U7
SCALE		DRAWING NO	PL-090045-0.5-8A
SHEET		RESTRICTED TO	-
1 OF 1		REV	A1