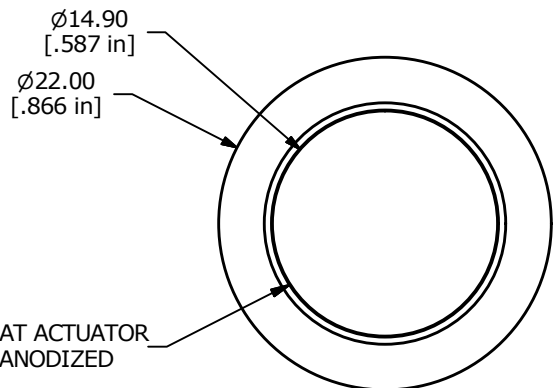
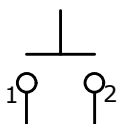


PANEL MOUNTING

MAX. PANEL THICKNESS 8.0mm



▲ RAISED FLAT ACTUATOR
BLACK ANODIZED



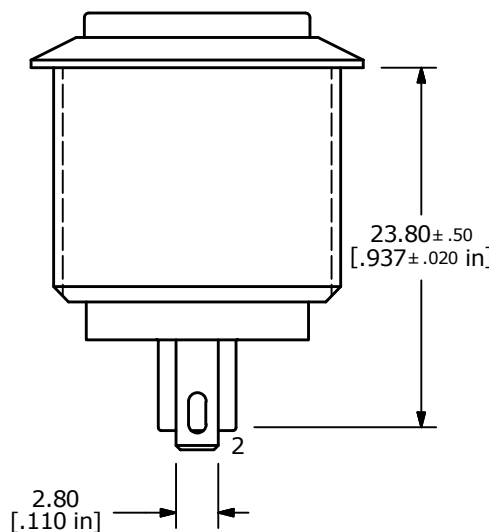
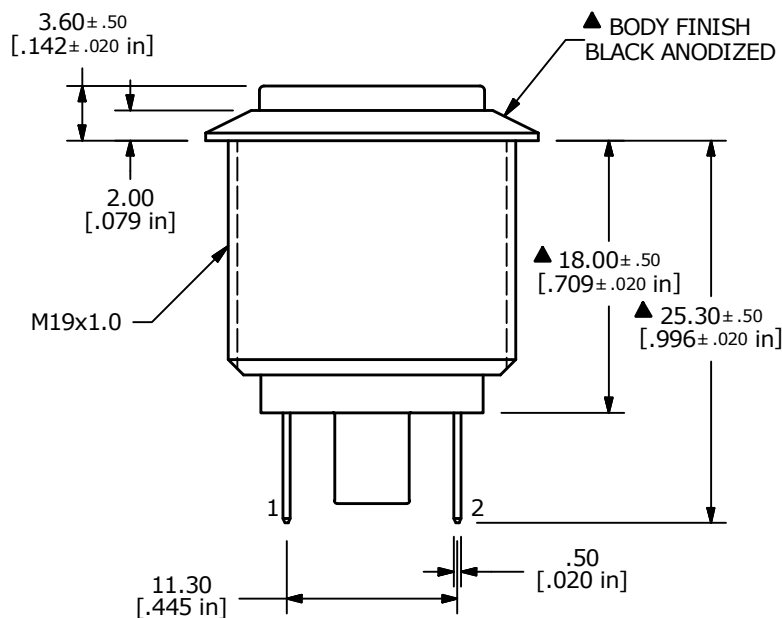
▲ CIRCUIT: SPST

SWITCH FUNCTION	
POS. 1	POS. 2
OFF	(ON)
OPEN	1-2

(ON) = MOMENTARY

NOTE:

1. ALL DIMENSIONS IN MM [INCH]
2. GENERAL TOLERANCE: X.X = ± 0.4
X.XX = ± 0.25
3. TERMINAL NOS. FOR REF. ONLY
- ▲4. FUNCTION: SPST
- ▲5. RATING: 2A @ 36VDC
6. CONTACT RESISTANCE: 50mΩ MAX. @ 1A 12VDC
7. INSULATION RESISTANCE: 1,000MΩ @ 500VDC
8. DIELECTRIC STRENGTH: 2,000VAC MIN. FOR 1 MINUTE
9. ELECTRICAL LIFE: 200,000 CYCLES
10. CONTACT MATERIAL: SILVER PLATED COPPER
11. OPERATING TEMPERATURE: -20°C TO 55°C
12. INGRESS PROTECTION: IP65
13. ▲ DENOTES CRITICAL PARAMETER
- ▲ 14. HARDWARE INCLUDED: HEX NUT AND O-RING (NOT SHOWN)



B	23591	UPDATED RATING TO 2A @ 36VDC	10/5/18	MJR
A	20698	New Release	08/07/12	RC
REV	PCR NO	DESCRIPTION	DATE	BY

TITLE PV1H24011				
SCALE	DATE	DR	DWG	REV
2:1	8/7/2012	rc	52-PV1H24011	B

THE INFORMATION CONTAINED IN THIS DOCUMENT IS PROPRIETARY TO E-SWITCH AND IS NOT TO BE COPIED OR TRANSFERRED