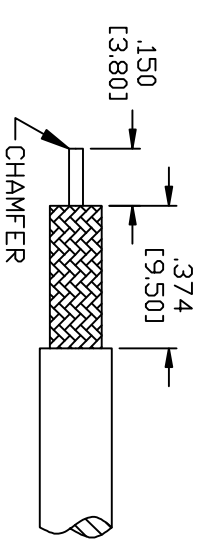
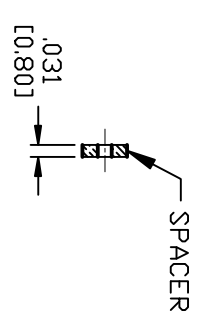
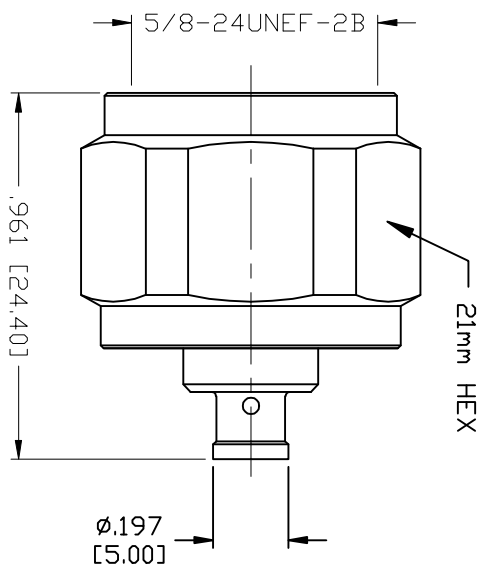


PART NO.		<b>REN-NMDCP-SR2</b>	
REV	DESCRIPTION	DWN	DATE
—	ENGINEERING RELEASE	CZS	10/15/20
		APPROVED	JDM



**SPECIFICATIONS:**

INTERFACE: IEC 61169-16  
 IMPEDANCE: 50 Ohms  
 FREQUENCY RANGE: 0-6 GHz  
 INSERTION LOSS: -0.1 dB MAX  
 RL MEASURED ON: TFT-402 X2 CONNECTORS  
 RL: 32 dB DC-700 MHz  
 RL: 23 dB 700-2000 MHz  
 RL: 22 dB 2000-4000 MHz  
 RL: 21 dB 4000-5000 MHz  
 RL: 20 dB 5000-6000 MHz  
 3rd ORDER IM: ≤-155 dBc @ 700 MHz & 1900 MHz  
 3rd ORDER IM TEST METHOD: 2x43 dBm CARRIERS  
 ENVIRONMENTAL: IP68 MATED  
 TEMPERATURE RANGE: -55°C TO 90°C  
 MATING TORQUE: 5 Nm  
 MATING CYCLES: >500  
 NET WEIGHT: 0.075 lb  
 COMPLIANCE: RoHS

USED ON: RG-402/U, TFT-402-LF, TFELEX-402, 1673A, SS402, EZ-FLEX-402

#	DESCRIPTION	QTY	MATERIAL	FINISH
7	COUPLING NUT	1	BRASS	CuSnZn Alloy
6	RETAINING RING	1	BRASS	CuSnZn Alloy
5	GASKET	1	SILICONE RUBBER	RED
4	SPACER	1	PTFE	NATURAL
3	INSULATOR	1	PTFE	NATURAL
2	PIN, CAPTIVE	1	BRASS	SILVER
1	BODY	1	BRASS	CuSnZn Alloy

CUSTOMER OUTLINE DRAWING  
 ALL DIMENSIONS ARE IN INCHES  
 AND [MILLIMETERS]  
 UNLESS OTHERWISE SPECIFIED:  
 DIMENSIONS ARE IN INCHES  
 AND [MILLIMETERS]

BRANN  
 C. ZUNIGA  
 CHECKED  
 10/15/20

PROPRIETARY AND CONFIDENTIAL  
 THIS DRAWING CONTAINS  
 INFORMATION PROPRIETARY TO  
 RF INDUSTRIES. ANY  
 UNAUTHORIZED USE OF THIS  
 DRAWING IS EXPRESSLY  
 PROHIBITED WITHOUT WRITTEN  
 PERMISSION FROM RF  
 INDUSTRIES. ANY VIOLATION IS  
 PUNISHABLE UNDER U.S.  
 COPYRIGHT LAWS.

BRANN  
 C. ZUNIGA  
 10/10/20

**RF Industries**  
 DIVISION OF RF INDUSTRIES, LTD. (858) 549-6345 FAX

7610 MIRAMAR RD.  
 SAN DIEGO, CA 92126  
 (858) 549-6340

**N MALE**  
**CAPTIVATED PIN, DIRECT SOLDER**

SCALE:	ENGINEERING ID:	SHEET	OF
NTS	2000055	1	1