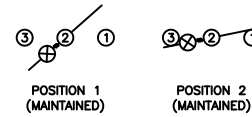


SCHEMATIC



SPECIFICATIONS

FUNCTION:
1P1T OFF-ON

RATINGS:
ANSI/UL 1054 and CAN/CSA C22.2 No. 55 (E194579):
10A 125VAC [UR, cUR]
EN 61058-1:2002:
6A 250V~ μ 1E4 T85/55 [ENEC14]

ILLUMINATION VOLTAGE:
12V

CONTACT RESISTANCE:
Initial: 35mΩ Max. at 50VAC

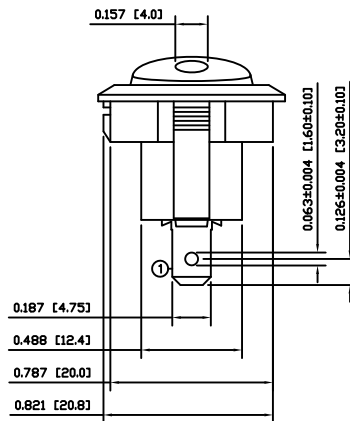
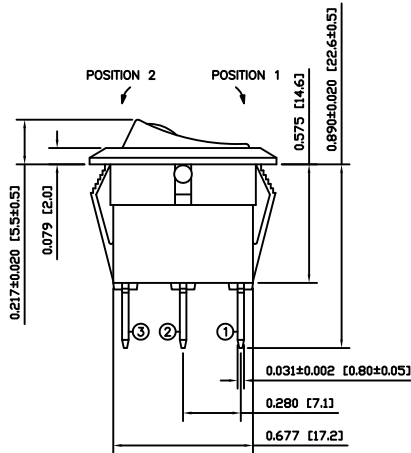
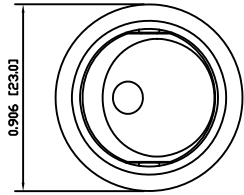
INSULATION RESISTANCE:
100MΩ Min. at 500VDC

DIELECTRIC STRENGTH:
1,500VAC For 1 Minute

ELECTRICAL LIFE:
6,000 Cycles [UR, cUR]
10,000 Cycles [ENEC14]

TEMPERATURE:
Operating: -20°C to 105°C [UR, cUR]
Operating: -20°C to 85°C [ENEC14]

APPROVALS:



COLORS AND MARKINGS

BODY:
Black

ACTUATOR:
Black

LENS:
Transparent Green

MARKINGS:
None

MARKING COLOR:
None

MATERIALS

BODY:
Polyamide 6/6 (PA66), UL94 V-2

ACTUATOR:
Polyamide 6/6 (PA66), UL94 V-2
Polycarbonate (PC), UL94 V-2

LAMP CARRIER:
Polyamide 6/6 (PA66), UL94 V-2

LAMP:
LED

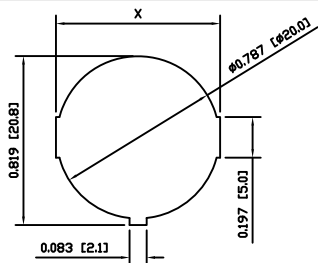
SPRING:
Steel

SPRING COVER:
Steel

CONTACTS:
Silver Alloy Plated Copper

TERMINALS:
Silver Plated Copper
Brass

SUGGESTED PANEL CUTOUT



PANEL THICKNESS	X
0.030~0.049 [0.75~1.25]	0.795 [20.2]
0.049~0.079 [1.25~2.00]	0.803 [20.4]
0.079~0.118 [2.00~3.00]	0.811 [20.6]

ACTUATOR	A	09/08/10	CAB
BODY	B	10/03/31	CAB
COLORS	A	10/05/10	CAB
MATERIALS	-	-	-
SPECIFICATIONS	A	09/08/10	CAB
REFERENCE	REV.	DATE	BY

THE INFORMATION CONTAINED IN THIS DOCUMENT IS PROPRIETARY TO E-SWITCH-LAMP INDUSTRIES AND IS NOT TO BE COPIED OR TRANSFERRED

REV.	DESCRIPTION	DATE	BY
C	REMOVED SEMKO RATING	23442	07/12/18 MJR
B	update Lamp to LED	22882	01/19/17 MN
A	INITIAL RELEASE	18885	11/04/20 CAB

DIMENSIONS	
INCHES [MILLIMETERS]	
GENERAL TOLERANCES	
±0.008 [±0.2] / ±1'	
SCALE	DRAWING NOT TO SCALE

E-SWITCH

RR11131100-234

ITEM NUMBER	DATE	REVISION
38-RR11131100234	APRIL 28, 2011	C