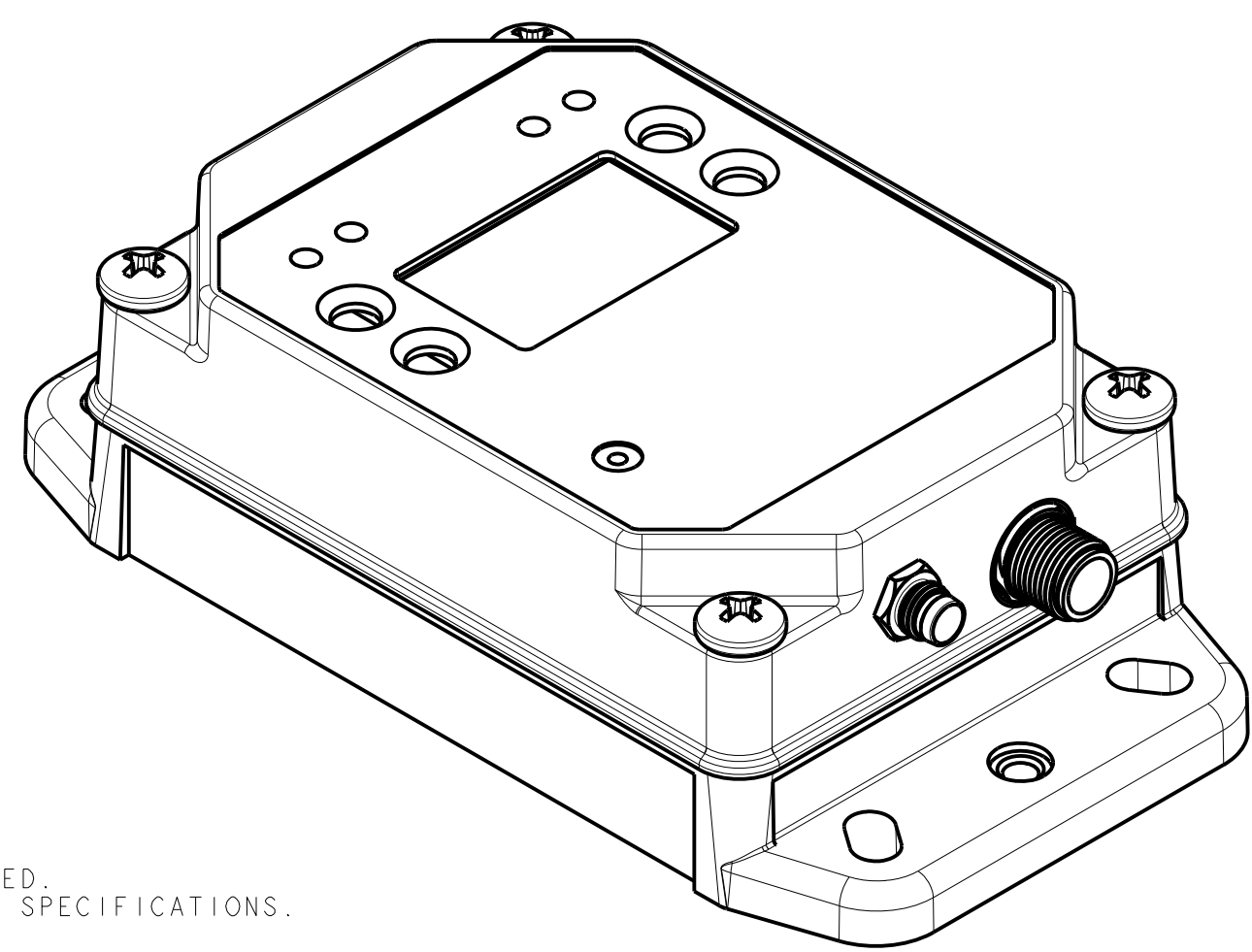
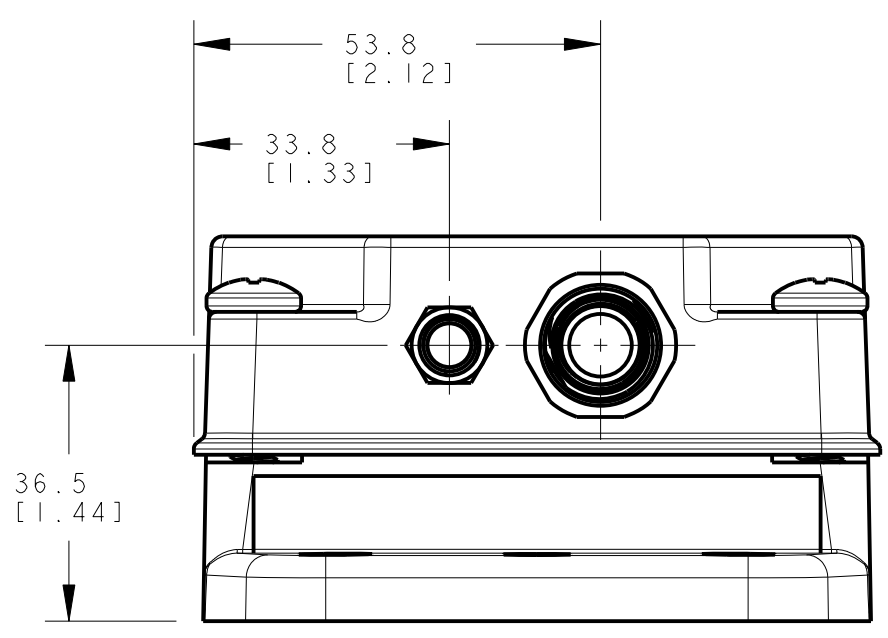
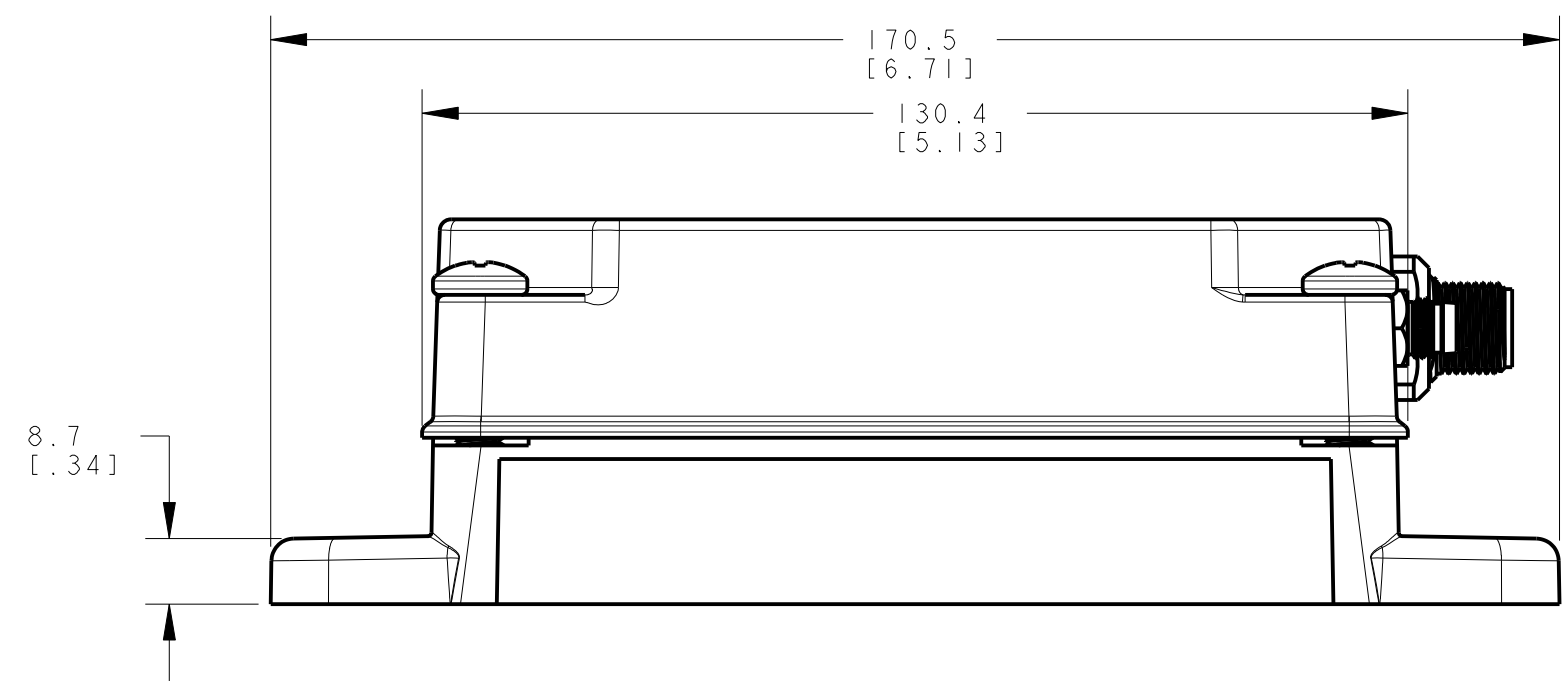
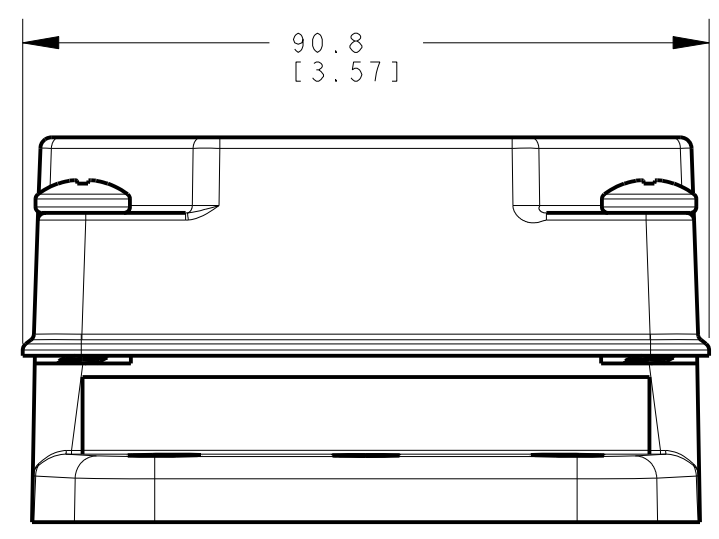
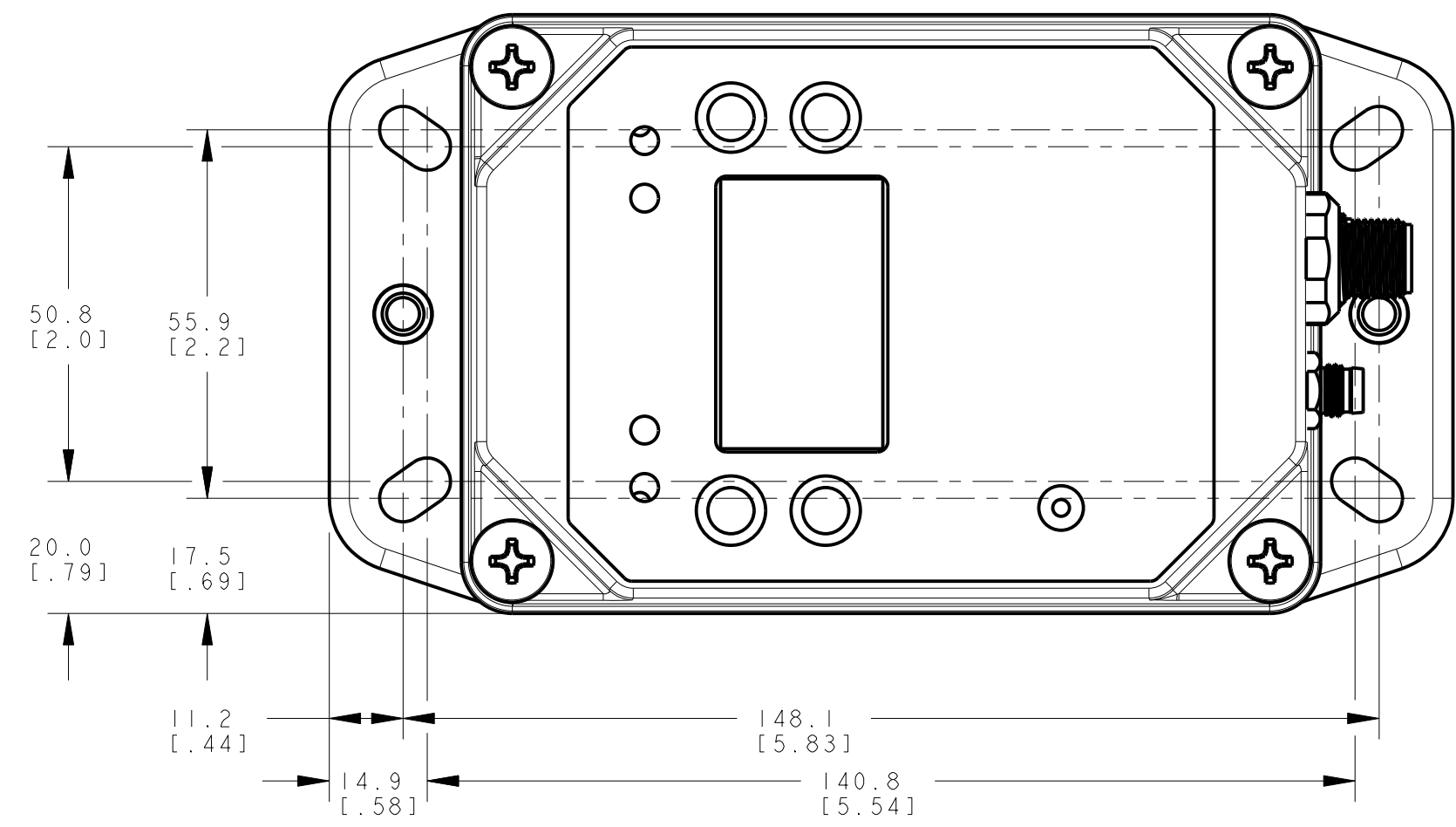


DXMI200

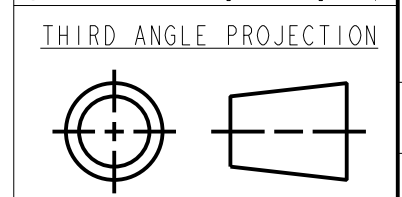


NOTES:
1. ALL DIMENSIONS ARE MILLIMETERS [INCHES] UNLESS OTHERWISE NOTED.
2. REFER TO "www.bannerengineering.com" FOR ADDITIONAL DATA AND SPECIFICATIONS.

This drawing is the property of BANNER ENGINEERING CORP. Any use or reproduction, in any form, without prior written permission of Banner is prohibited. © 2015 Banner Engineering Corp.



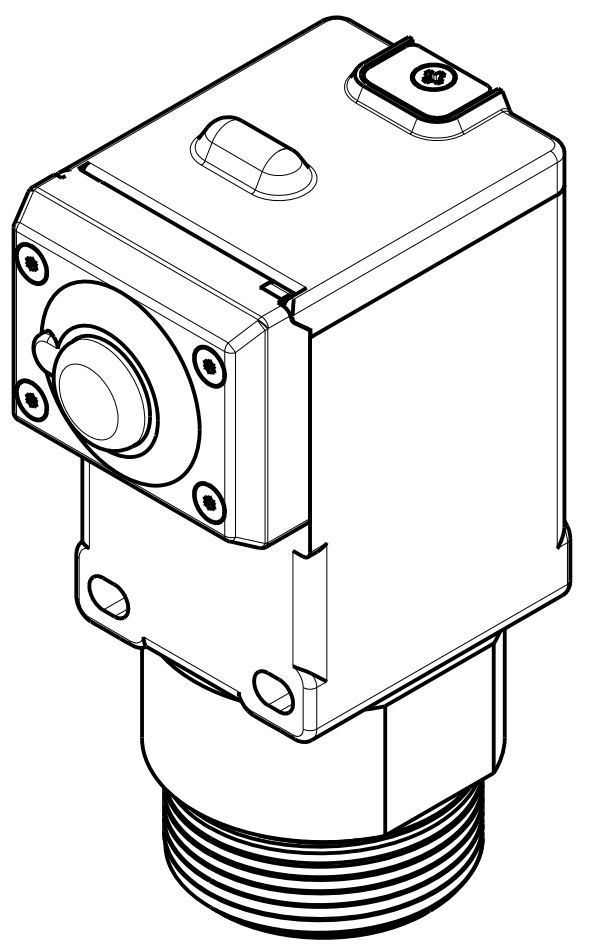
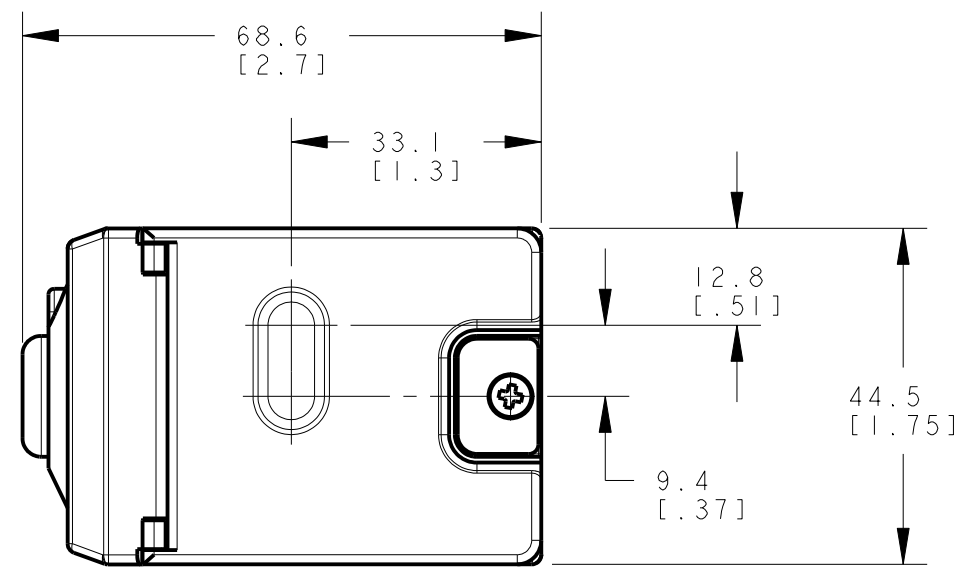
BANNER ENGINEERING CORP.
www.bannerengineering.com



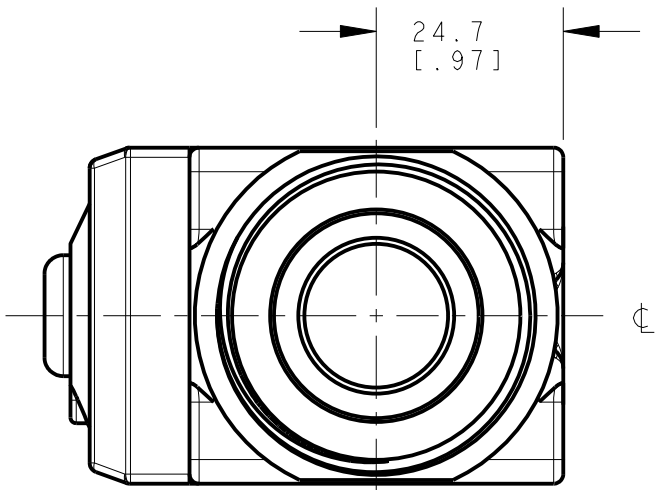
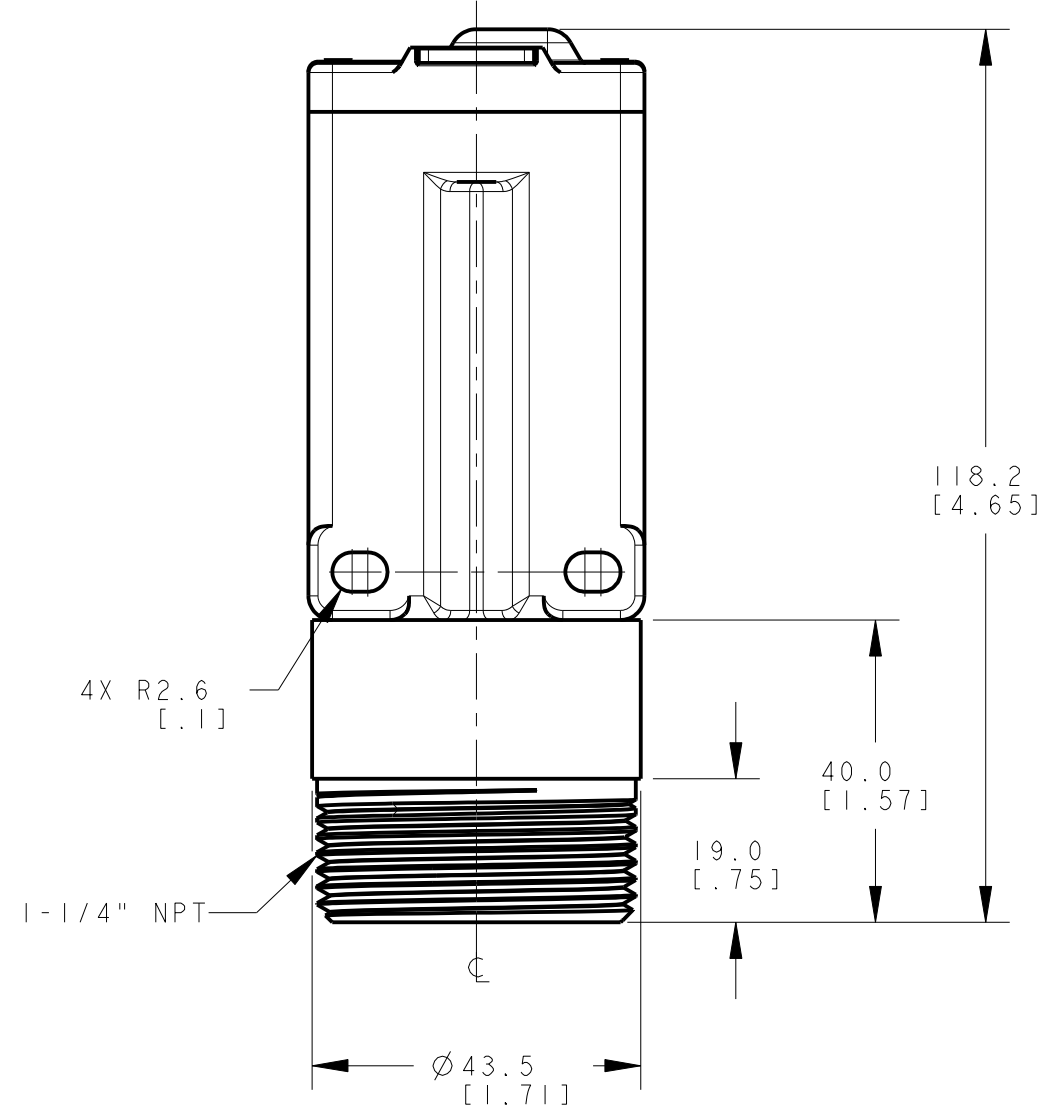
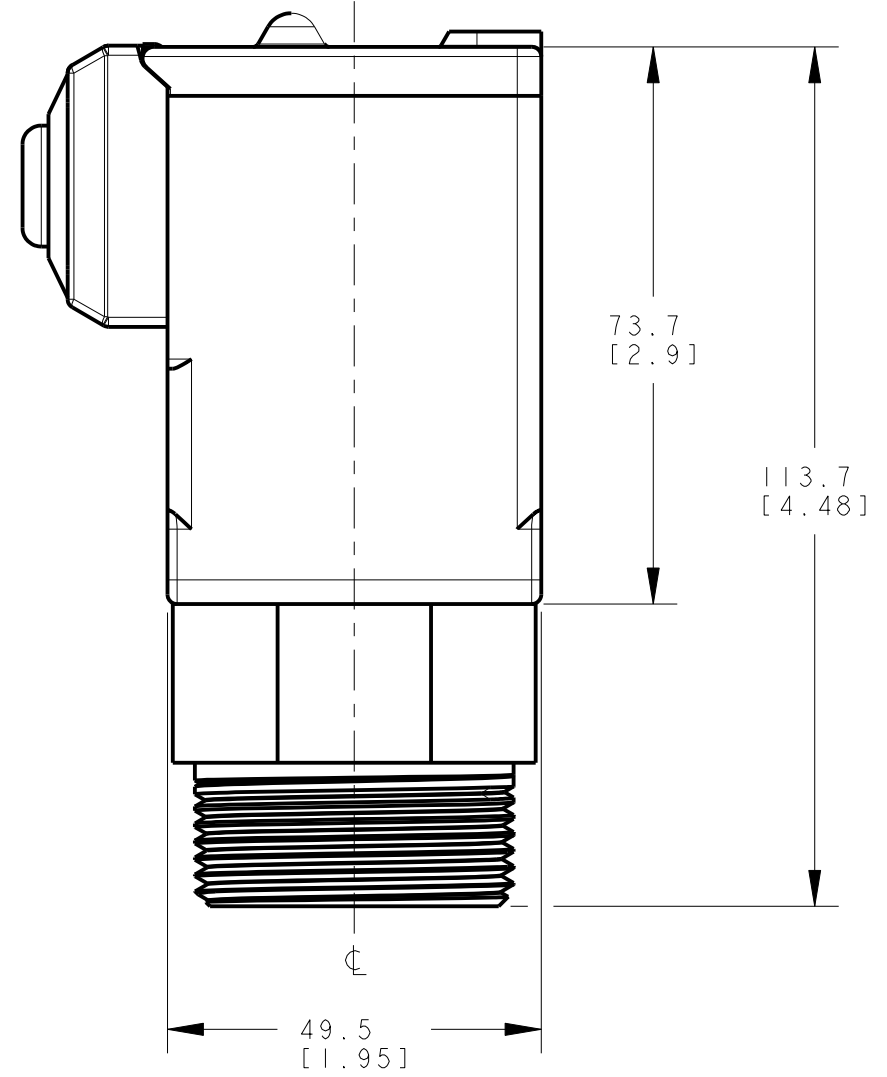
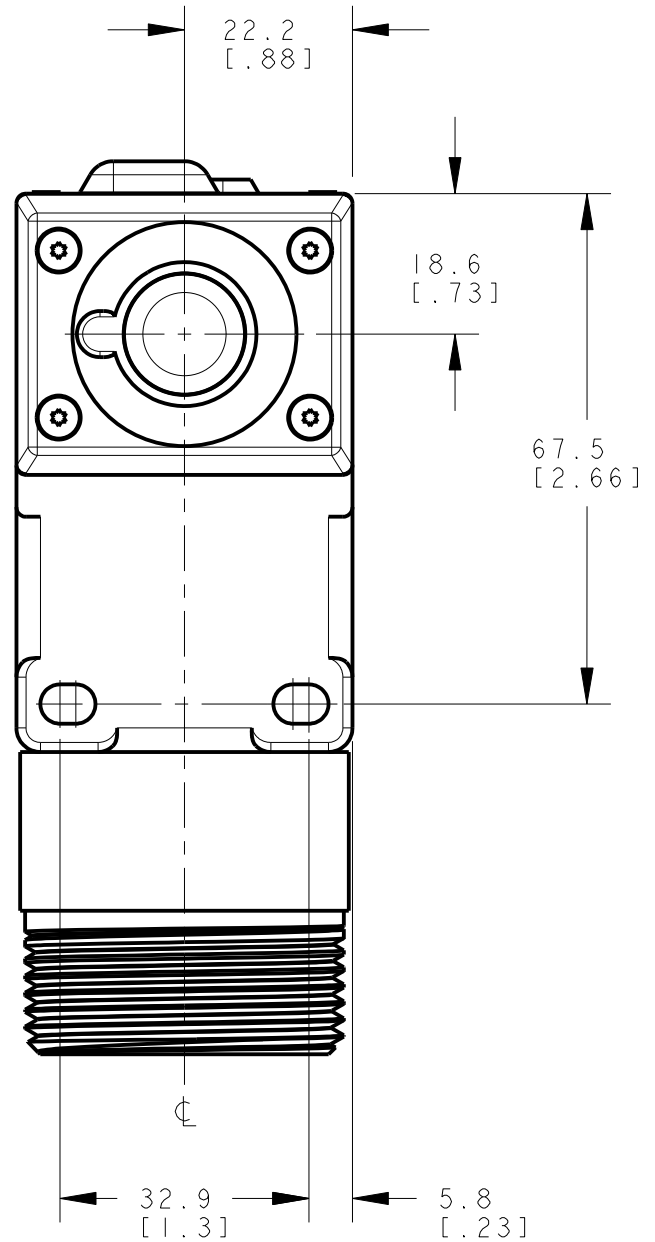
TITLE STARTERKIT1200 CM		
SIZE C	DRAWING NO. 218785	REV. A
SCALE 1:1		SHEET 1 OF 5

CREO

DX80NQ45UA ULTRASONIC



ISOMETRIC VIEW
SCALE 1:1



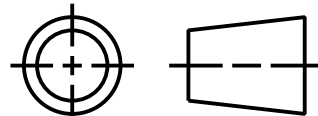
NOTES:
1. ALL DIMENSIONS ARE MILLIMETERS [INCHES] UNLESS OTHERWISE NOTED.
2. REFER TO "www.bannerengineering.com" FOR ADDITIONAL DATA AND SPECIFICATIONS.

This drawing is the property of BANNER ENGINEERING CORP. Any use or reproduction, in any form, without prior written permission of Banner is prohibited. © 2015 Banner Engineering Corp.



BANNER ENGINEERING CORP.
www.bannerengineering.com

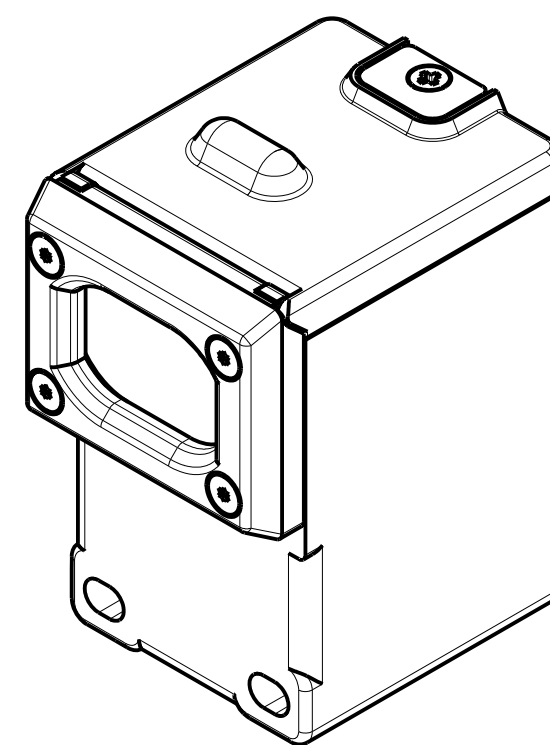
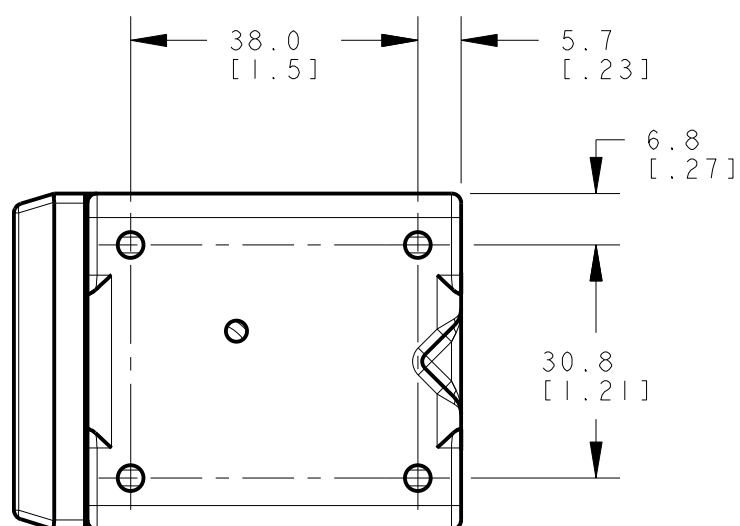
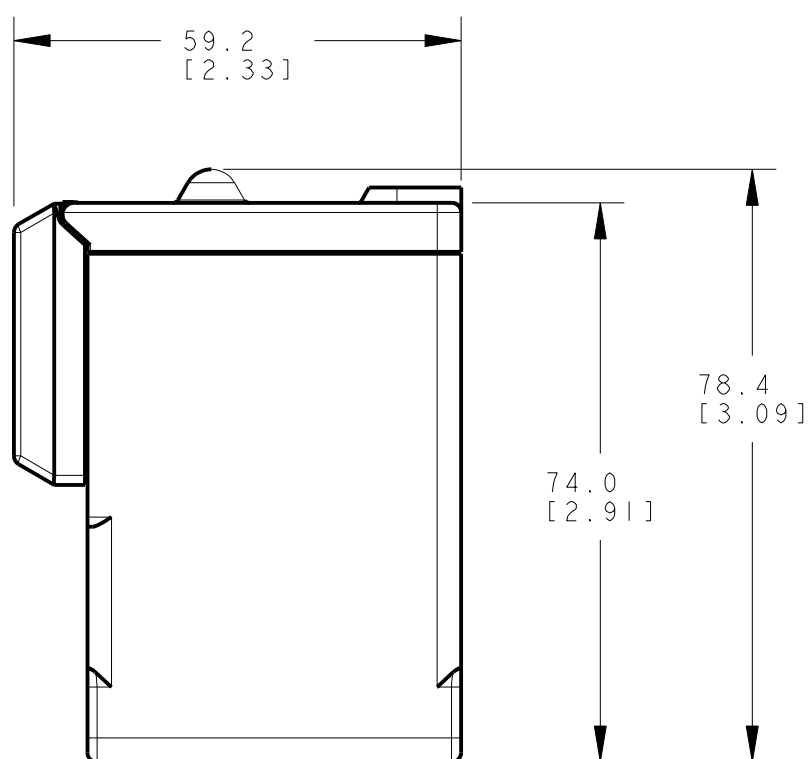
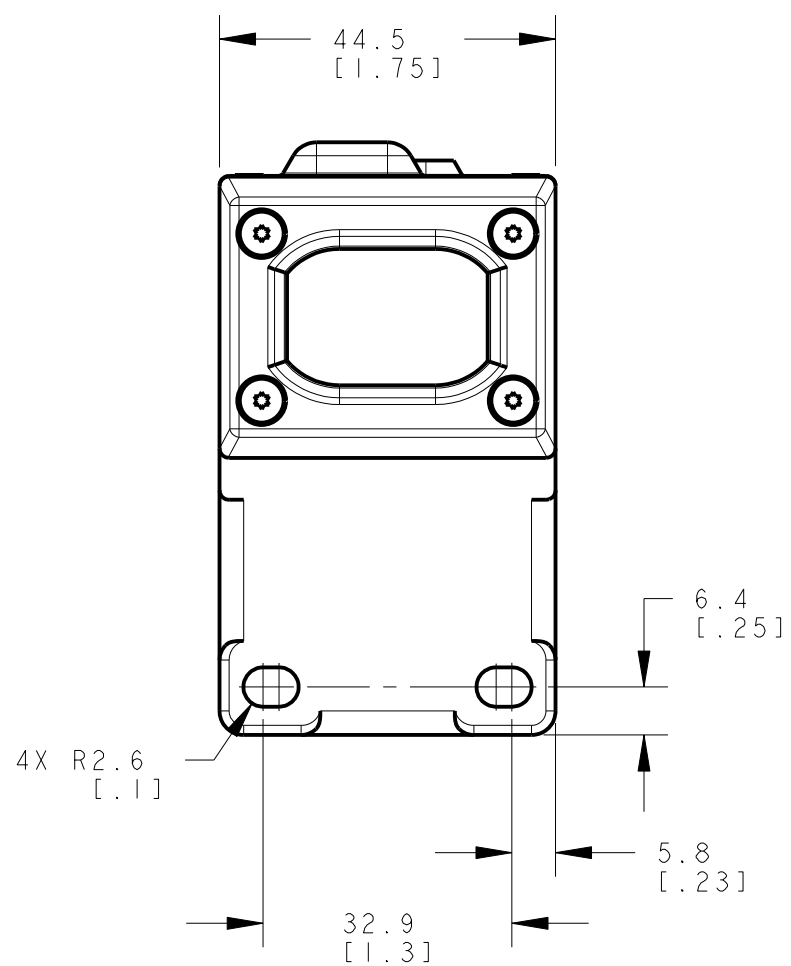
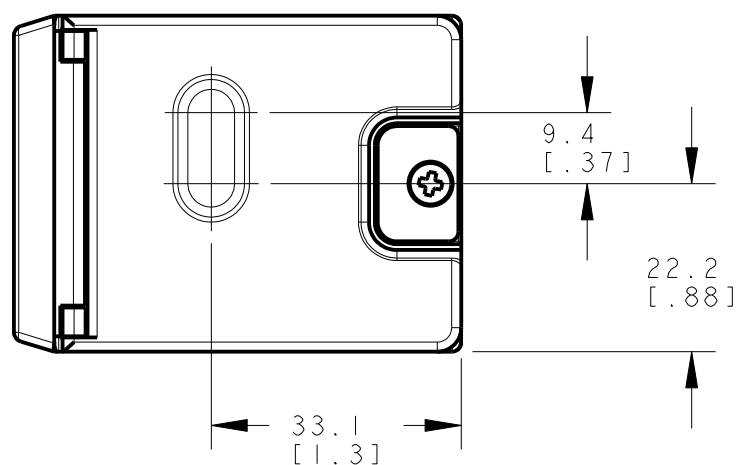
THIRD ANGLE PROJECTION



TITLE STARTERKIT1200 CM		
SIZE C	DRAWING NO. 218785	REV. A
SCALE 1:1		SHEET 2 OF 5

CREO

DX80Q45VA



ISOMETRIC VIEW
SCALE 1:1

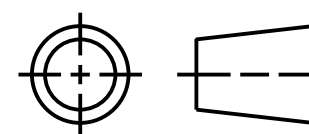
NOTES:
1. ALL DIMENSIONS ARE MILLIMETERS [INCHES] UNLESS OTHERWISE NOTED.
2. REFER TO "www.bannerengineering.com" FOR ADDITIONAL DATA AND SPECIFICATIONS.

This drawing is the property of BANNER ENGINEERING CORP. Any use or reproduction, in any form, without prior written permission of Banner is prohibited.
© 2015 Banner Engineering Corp.

BANNER BANNER ENGINEERING CORP.
www.bannerengineering.com

TITLE
STARTERKIT1200 CM

THIRD ANGLE PROJECTION



SIZE C DRAWING NO. **218785** REV. **A**

SCALE 1:1 SHEET 3 OF 5

CREO

8

7

6

5

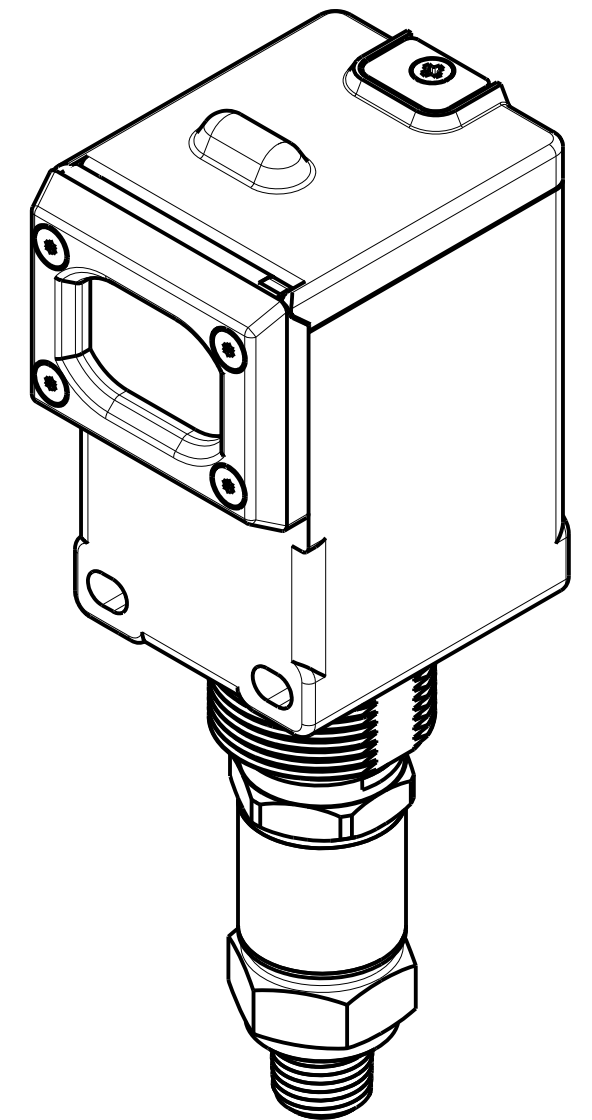
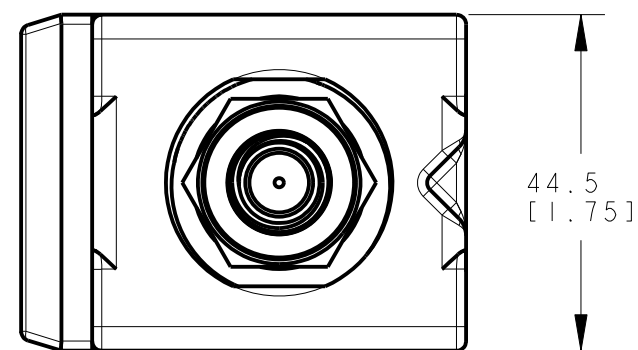
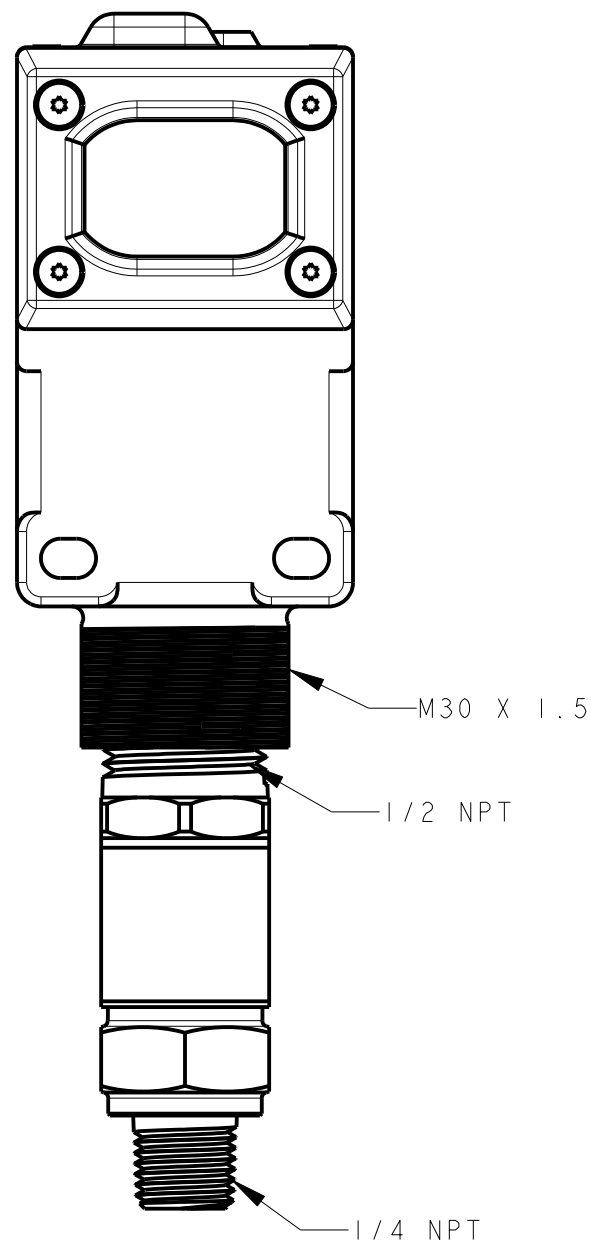
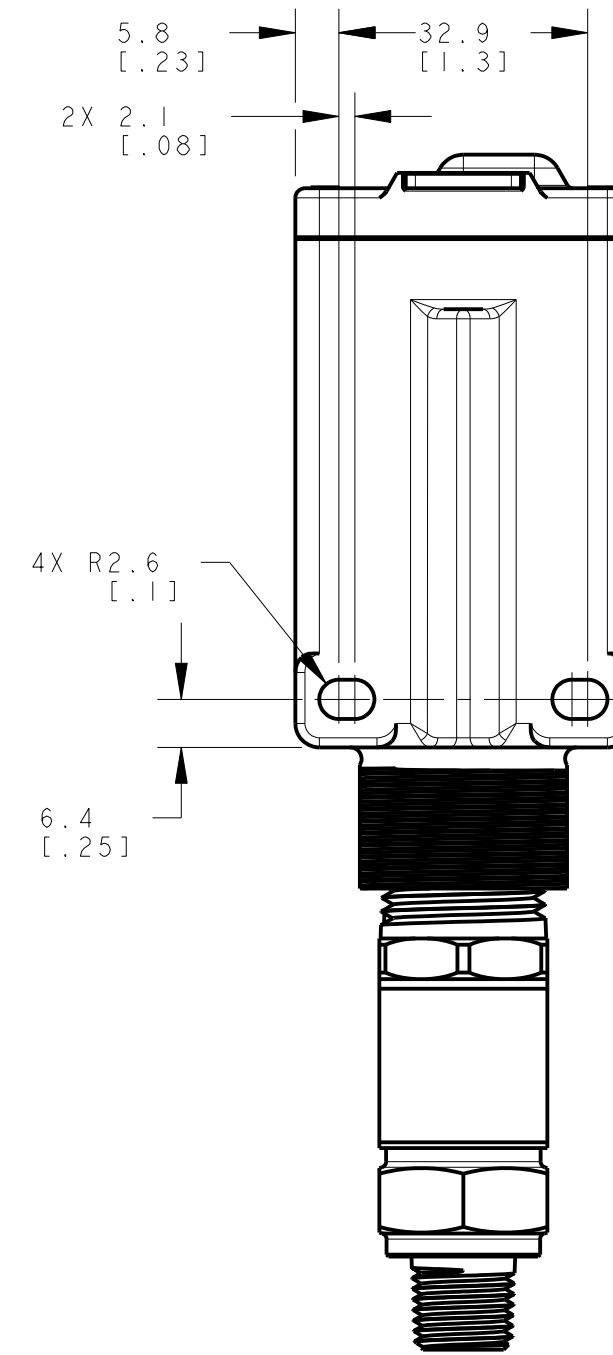
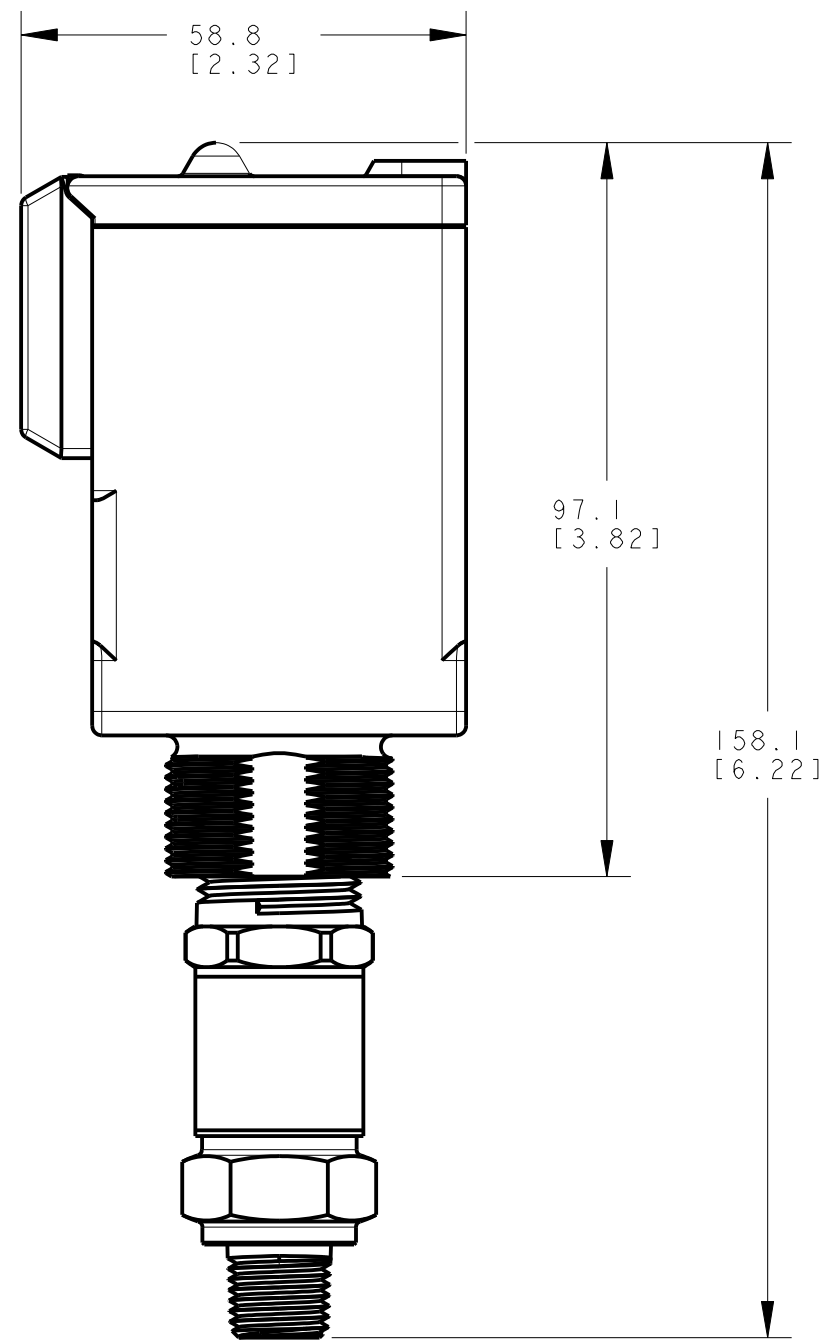
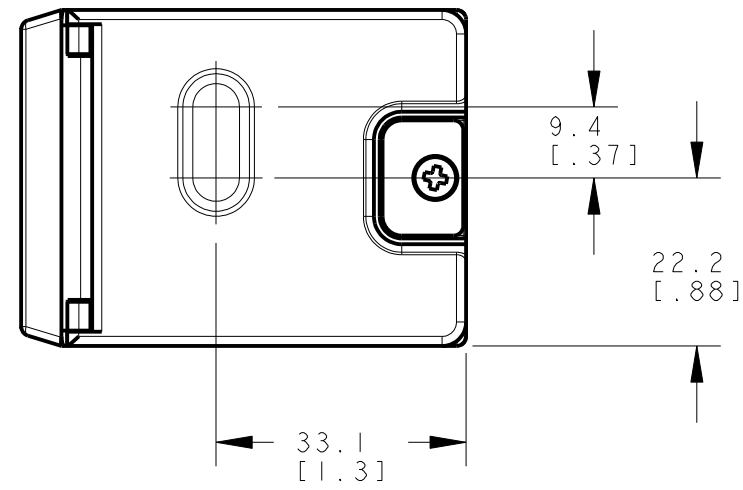
4

3

2

1

Q45PSG



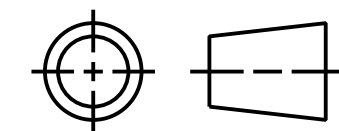
ISOMETRIC VIEW

NOTES:
 1. ALL DIMENSIONS ARE MILLIMETERS [INCHES] UNLESS OTHERWISE NOTED.
 2. REFER TO "www.bannerengineering.com" FOR ADDITIONAL DATA AND SPECIFICATIONS.

This drawing is the property of BANNER ENGINEERING CORP. Any use or reproduction, in any form, without prior written permission of Banner is prohibited.
 © 2015 Banner Engineering Corp.



THIRD ANGLE PROJECTION



TITLE		
STARTERKIT1200 CM		
SIZE C	DRAWING NO. 218785	REV. A
SCALE 1:1	SHEET 4 OF 5	

CREO

8

7

6

5

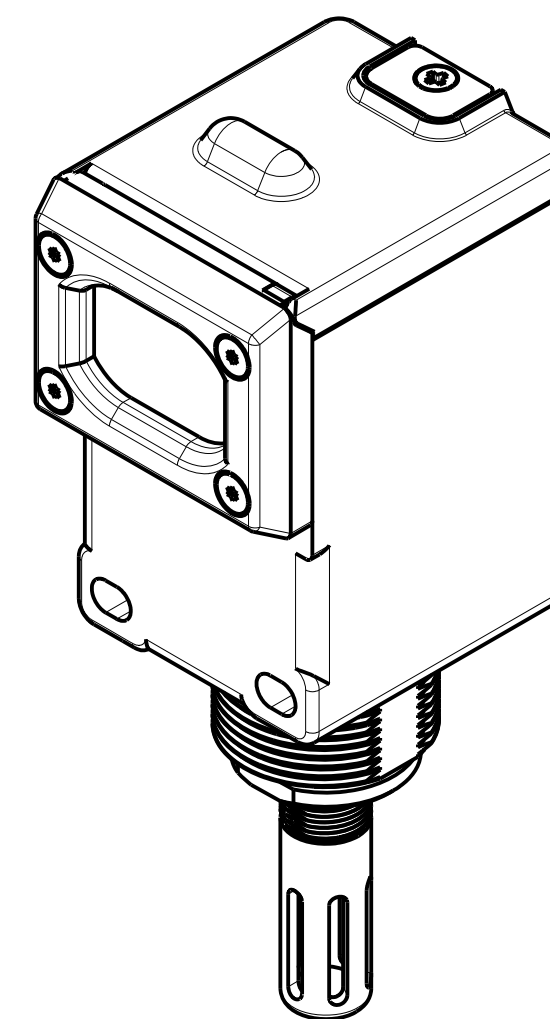
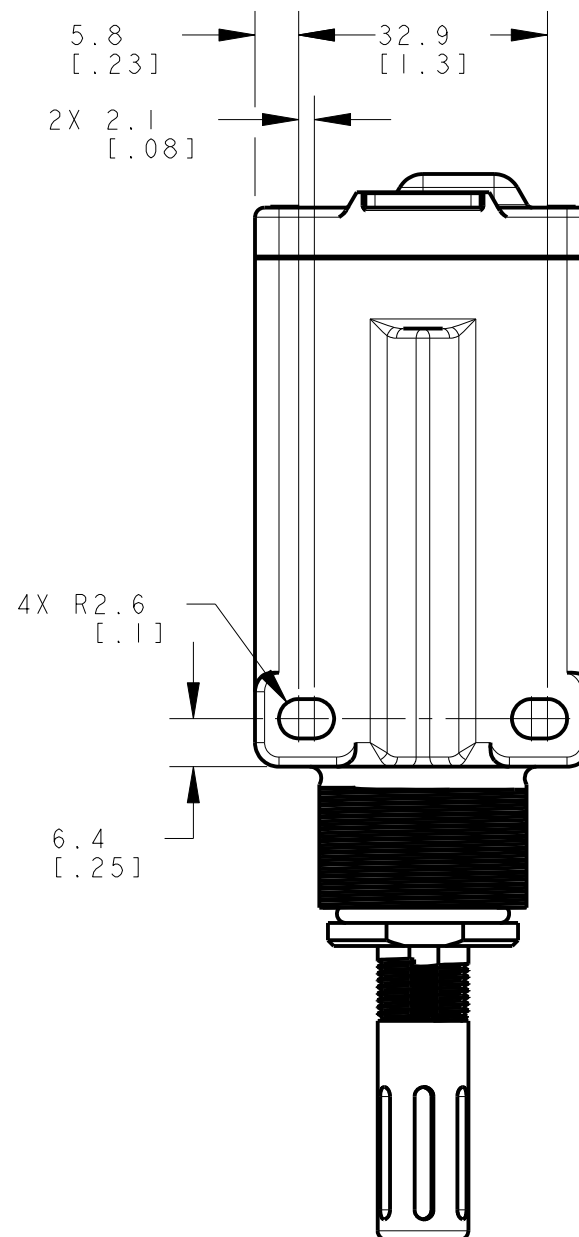
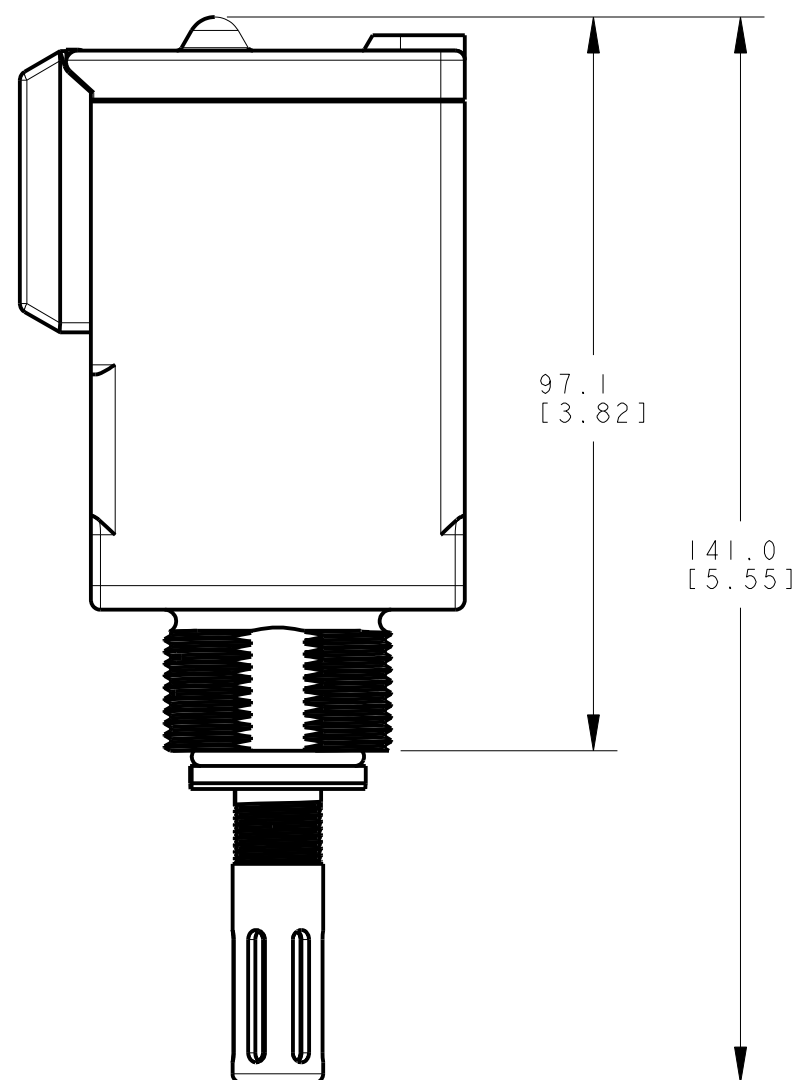
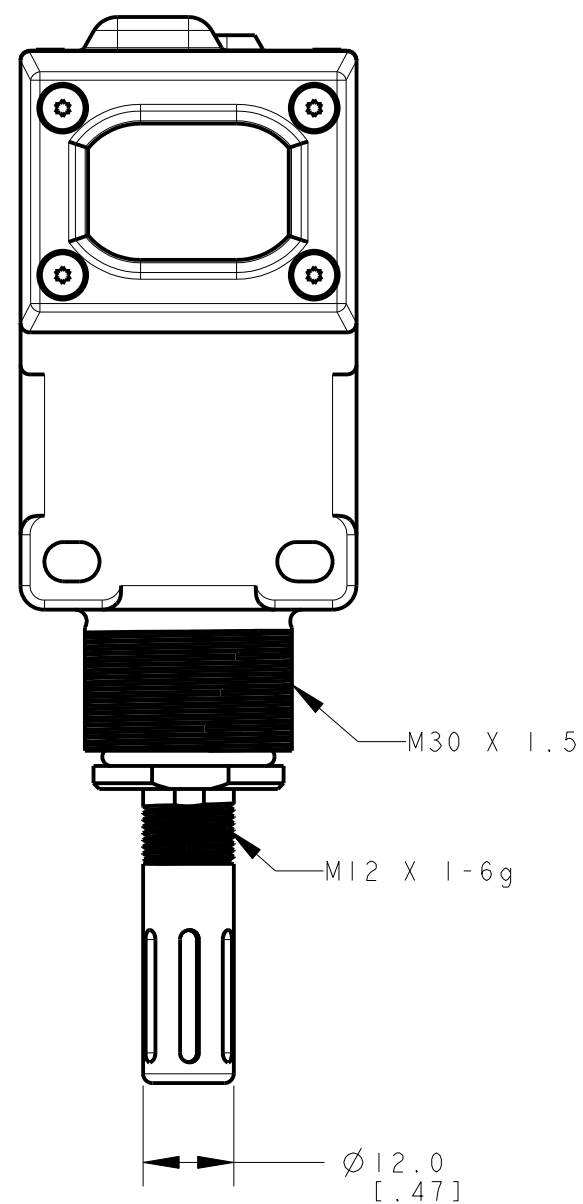
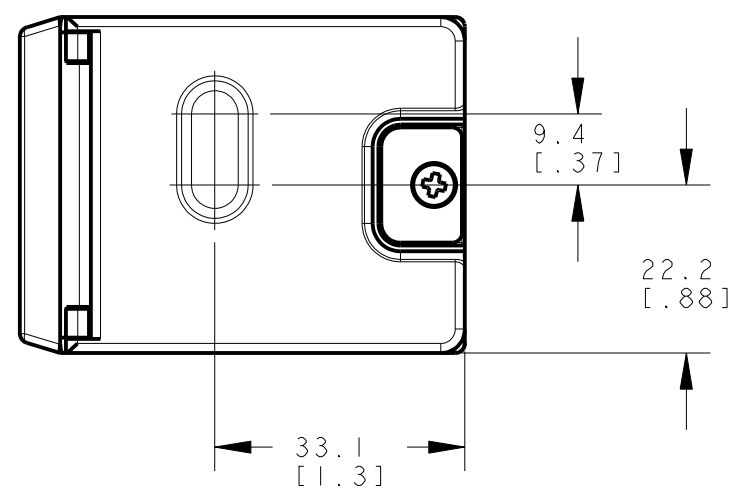
4

3

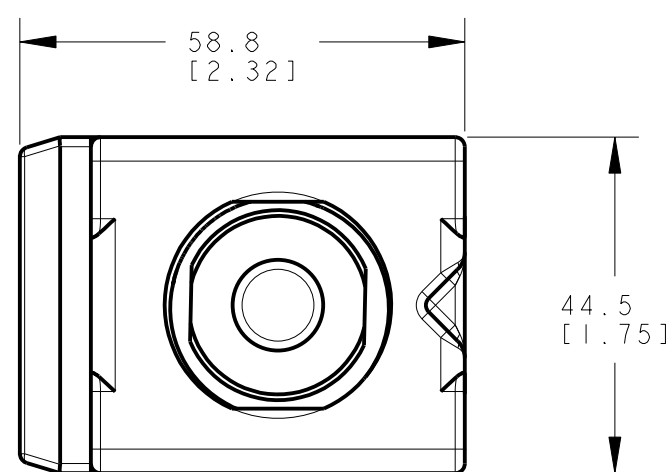
2

1

Q45THA



ISOMETRIC VIEW



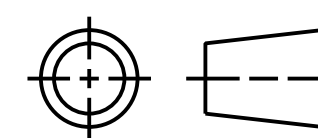
NOTES:
 1. ALL DIMENSIONS ARE MILLIMETERS [INCHES] UNLESS OTHERWISE NOTED.
 2. REFER TO "www.bannerengineering.com" FOR ADDITIONAL DATA AND SPECIFICATIONS.

This drawing is the property of BANNER ENGINEERING CORP. Any use or reproduction, in any form, without prior written permission of Banner is prohibited. © 2015 Banner Engineering Corp.

BANNER BANNER ENGINEERING CORP.
 www.bannerengineering.com

TITLE
STARTERKIT1200 CM

THIRD ANGLE PROJECTION



SIZE C DRAWING NO. **218785** REV. **A**

SCALE 1:1 SHEET 5 OF 5

CREO