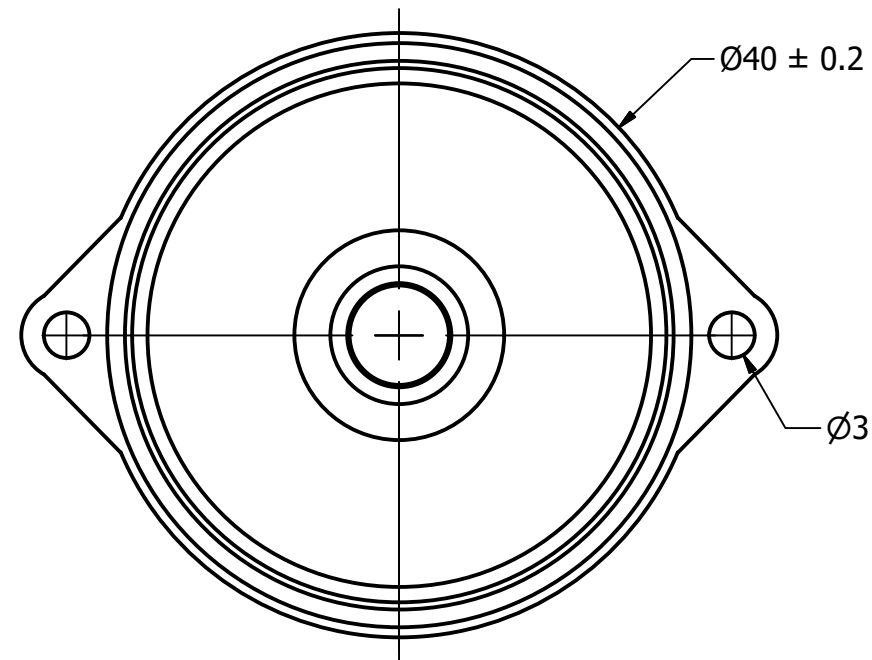
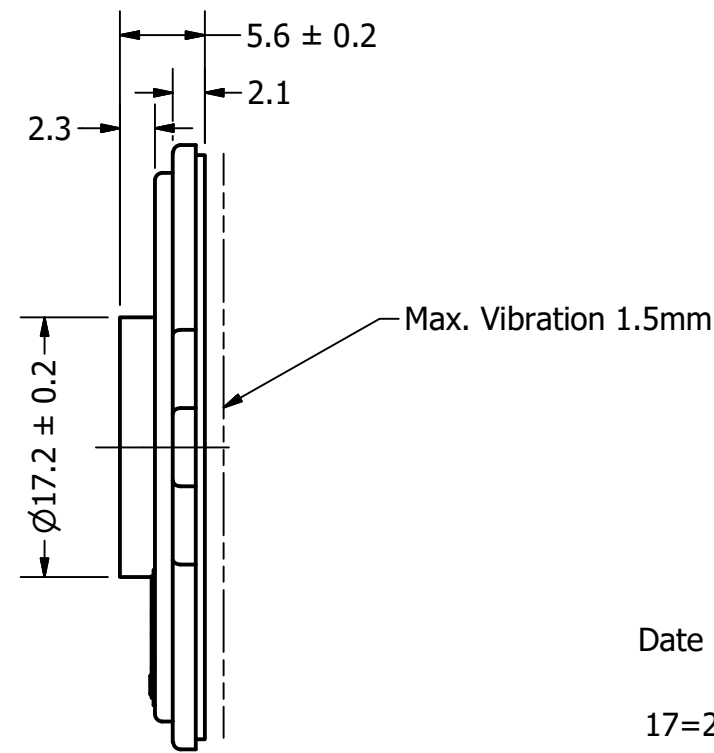


Part Number:	SW400508-1	
DRAWN	CJ	3/24/2017
CHECKED		5/12/2017
P.D.		5/12/2017
Description:	Waterproof Dynamic Speaker	
APPROVED		5/12/2017
C.E.		
This document contains data proprietary to DB Unlimited. Any use or reproduction, in any form, without prior written permission of DB Unlimited is prohibited. All terms and conditions can be found at www.dbunlimitedco.com		

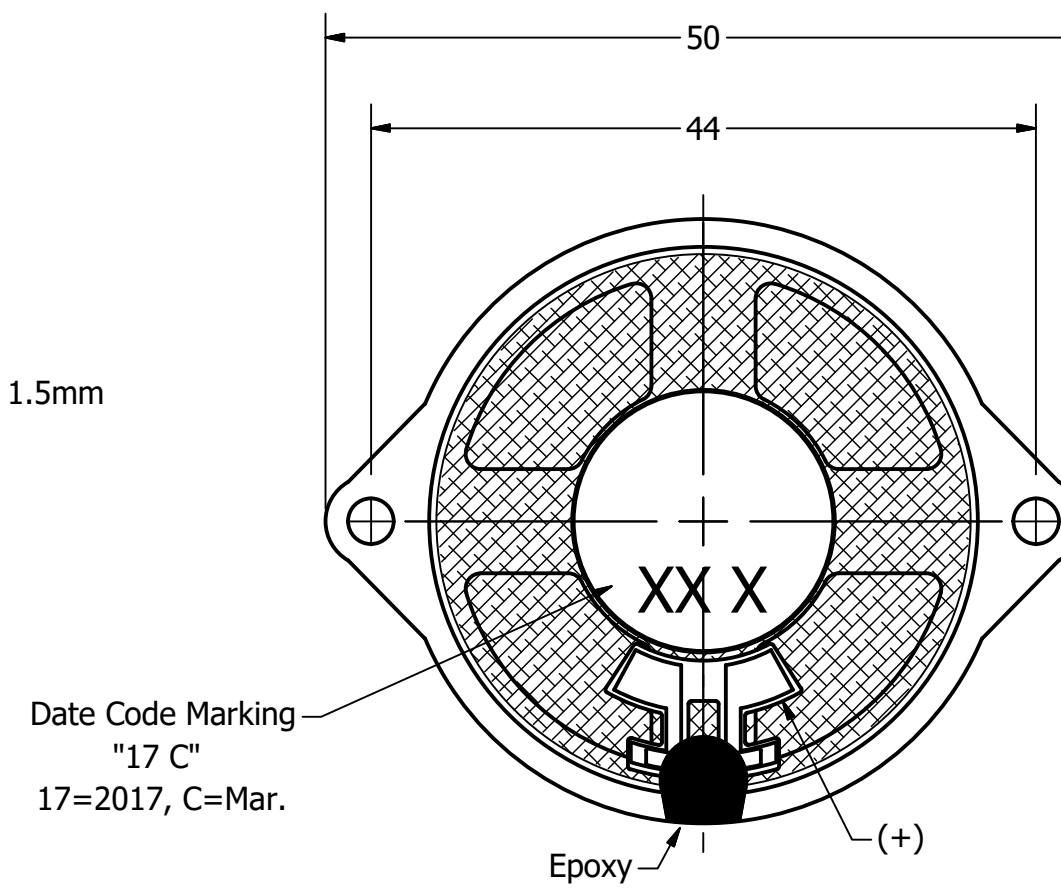
Top View



Side View



Bottom View



Items	Specifications	Conditions	REVISION HISTORY			
Sound Pressure Level	92	dB (@ 10cm), Avg.	REV	DESCRIPTION	DATE	APPROVED
Resonant Frequency	550	Hz		Released from Engineering	5/12/2017	C.E.
Frequency Range	550 ~ 10,000	Hz		Modify SPL condition, diaphragm clearance	9/22/2017	C.E.
Nominal Power	0.5	W	1	Added polarity marking, change max vibration to 1.5mm	10/24/2017	C.E.
Max. Power	1	W	2	Update markings	2/28/2018	C.E.
Impedance	8	Ω	3			
Cone Material	Mylar		NOTES			
Mount Type	Flange Mount		1) All dimensions are in mm unless otherwise noted			
IP Rating	IP67		2) All tolerances are ± 0.3 mm unless otherwise noted			
Storage Temperature	-40 ~ +85	$^{\circ}\text{C}$	3) All parts meet RoHS			
Operating Temperature	-20 ~ +70	$^{\circ}\text{C}$	4) Subject to change or redrawn without notice			
Weight	10.15	g				