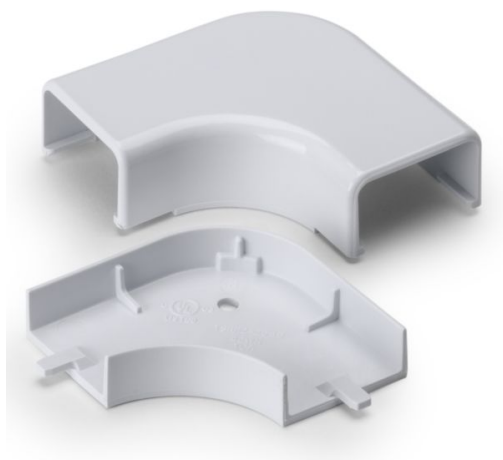


## Specification Sheet

Part Number: TSRP2W-25-1



Elbow Cover, 1-1/4", 1" Bend Radius, PVC, White, 1/bag

**Article Number**

250-62253

**Type**

TSRP2-25-1

**Color**

White (WH)

### Features & Benefits

- Tamper resistant covers with hidden latch provide security while allowing quick entry for cable maintenance.
- PVC construction is lightweight, durable and more affordable than metallic raceway systems.
- Flexible hinge designed to reduce stress cracking and discoloration from repeated opening and closing.
- Systems and fittings are available in white, office white and ivory to coordinate with a variety of décor.
- Fittings incorporate a minimum 1" bend radius to meet TIA/EIA 568-B and 569-A standards.
- TSRP power rated surface raceway systems have an enhanced "channel and lug" mating design that provides a tighter, more secure fit between raceway lengths and fittings, enabling the system to be UL Listed for power up to 600 volts and meet UL5A and CSA 22.2.

**Quantity Per**

EA

**Product Description**

HellermannTyton surface raceway systems are the ideal solution for routing communication and power cables. No need to break into existing walls - raceway systems are designed to route cable along wall surfaces. Made of a PVC material, components are durable and affordable; and the one piece construction and adhesive tape backing make positioning and mounting easy. HellermannTyton offers a low voltage TSR system and a power rated TSRP system that are available in three different diameters to accommodate different cable and wire bundle and conduit sizes. Both systems include a complete line of fittings and junction boxes that allow for clean and professional installations. TSRP surface raceway systems are designed to aesthetically organize and route either power or communications cables.

**Short Description**

Elbow Cover, 1-1/4", 1" Bend Radius, PVC, White, 1/bag

**Global Part Name**

TSRP2-25-1-PVC-WH

**Material**

Polyvinylchloride (PVC)

**Material Shortcut**

PVC

**Flammability**

UL 94 V0

**Halogen free**

No

**Operating Temperature (Metric)**

+122°F (+50°C)

**Reach Complaint(Article 33)**

No

**ROHS Complaint**

Yes

**UL Listed (US and Canada)**

Yes

**UL Listed (US)**

Yes

**Package Quantity(Imperial)**

1

**Package Quantity (Metric)**

1

**Customs Number**

3925900000