



ETA-USA

The Power Professionals

WRM-00X-O

15W AC/DC Triple Output



Features

- Universal Input
- Compact design with inrush current protection
- Triple Output
- WRM01X-O: 5, 12, -12 VDC
- WRM04X-O: 5, 15, -15 VDC
- 2 year Warranty

CE CB RoHS

MODEL/CHANNEL		Unit	WRM01X-O			WRM04X-O		
OUTPUT	Nominal Voltage	V	5	12	12	5	15	15
	Current	A	0.1~2	0.3	0.2	0.1~2	0.7	0.2
	Line Regulations	mV	25	120	120	25	150	150
	Load Regulations	mV	50	120	120	50	150	150
	Ripple	mVp-p	80	120	120	80	120	120
	Ripple and Noise	mVp-p	120	150	150	120	150	150
	Temperature Drift	mV	75	180	180	75	225	225
	Efficiency Typ.	%	67			67		
	Rise Time	mS	800 max [AC IN 110V I _o =100%]					
	Hold Up Time	mS	16 typ [AC IN 110V, I _o =100%]					
Grounding	-	Individual Ground						
MODEL/CHANNEL		Unit						
INPUT	Nominal Voltage	V	AC100V-240V (AC85V~264V or DC125V~ 370V), 50/60Hz (47~440Hz) Universal Input Voltage					
	Current Typ.	A	0.4A at 110V; 0.25A at 220V (I _o =100%)					
	Inrush Current	A	20A typ (AC IN 110V, I _o =100%), 40A typ (AC IN 220V, I _o =100%) at cold start					
	Leakage	-	0.75					
Function	Overcurrent Protection	A	Works at 115~140% of rating					
	Over Voltage Protection	-	Works at 110% over rated current and recovers automatically					
	Input-Output	-	AC 3,000V 1minute current 20mA, DC 500V 100MΩ (At room temperature & Humidity)					
	Input-F.G.	-	AC 2,000V 1minute current 20mA, DC 500V 100MΩ (At room temperature & Humidity)					
	Output-F.G.	-	AC 500V 1 minute current 100mA, DC 500V 100MΩ (At room temperature & Humidity)					
Environment	Operating temp. & Hum.	-	-10 ~ +70°C, 20~90% RH(Non condensing)					
	Storage temp. & Hum.	-	-20 ~ +75°C, 20~90% RH(Non condensing)					
	Vibration	-	10~55Hz at 1G, 3 minutes period, 30 minutes along X, Y and Z axis					
	Impact	-	10G for 20ms once on each X, Y and Z axis					
Dimension	Size(WxLxH) / Weight	mm/g	82 x 31.5 x 84 (99) / 210					
	Safety	-	CE/CB IEC 60950-1, EN60950-1, Line Con RF Voltage EN55022-A					



ETA-USA

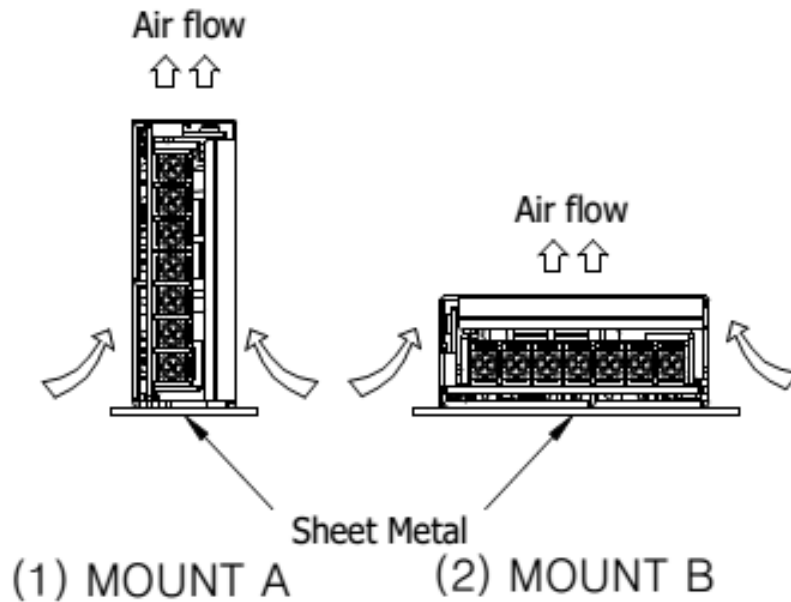
16170 Vineyard Blvd. Suite 180 Morgan Hill, CA 95037 <http://www.eta-usa.com>
Toll-free (US only): 800-ETA-POWR (800-382-7697) Telephone: 408 778-2793 FAX: 408-779-2753

©2014 ETA-USA All Rights Reserved

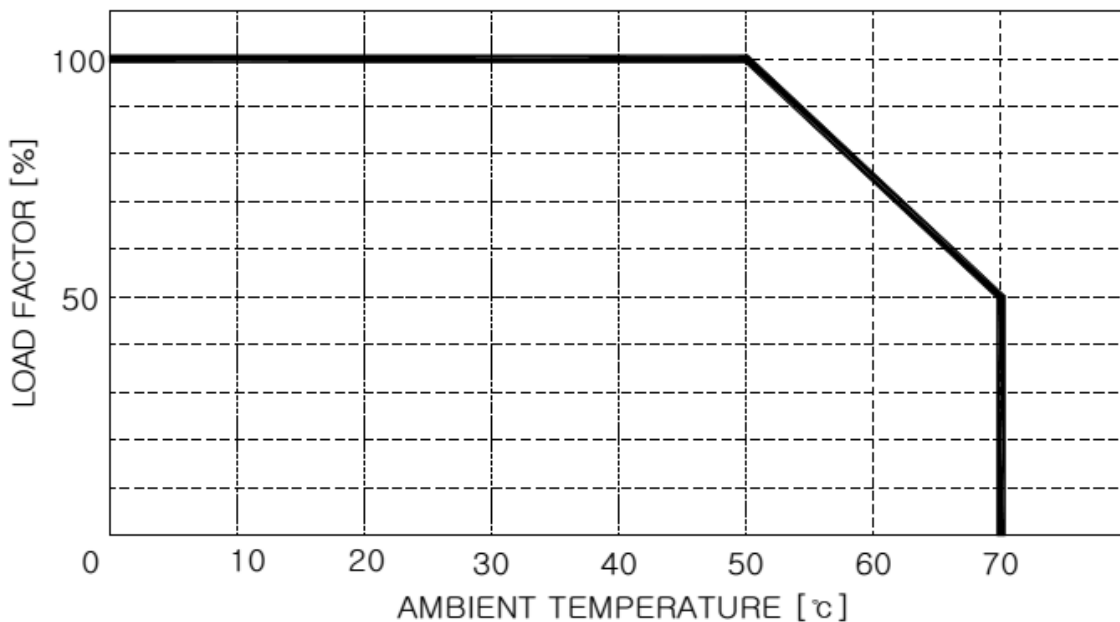
ETA-USA reserves the right to make changes to the products and specifications without prior notice. Please contact the factory for latest information.



Mounting Diagram



Derating Curve

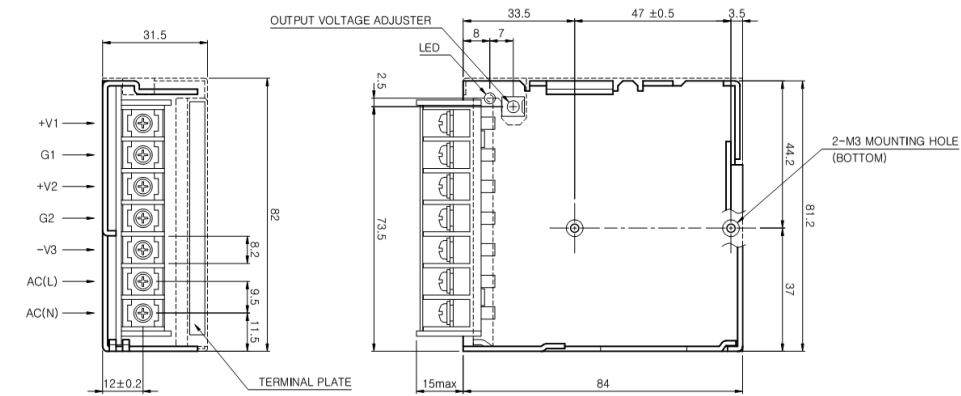




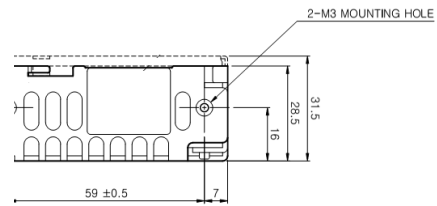
ETA-USA

The Power Professionals

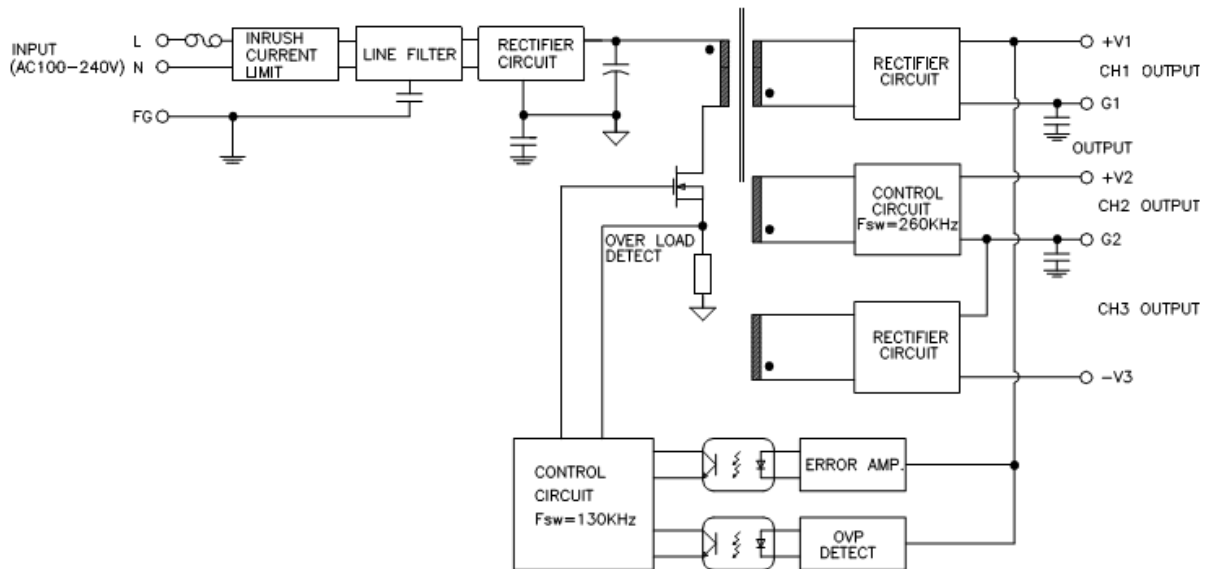
Dimensional Drawing



Function
SMPS AC Terminal (FUSE IN LINE)
SMPS AC Terminal
DC (+) Terminal
DC (+V1) GND Terminal
DC (+) Terminal
DC (+V2, -V3) GND Terminal
DC (-) Terminal



Block Diagram



ETA-USA

16170 Vineyard Blvd. Suite 180 Morgan Hill, CA 95037 <http://www.eta-usa.com>
Toll-free (US only): 800-ETA-POWR (800-382-7697) Telephone: 408 778-2793 FAX: 408-779-2753

©2014 ETA-USA All Rights Reserved

ETA-USA reserves the right to make changes to the products and specifications without prior notice. Please contact the factory for latest information.