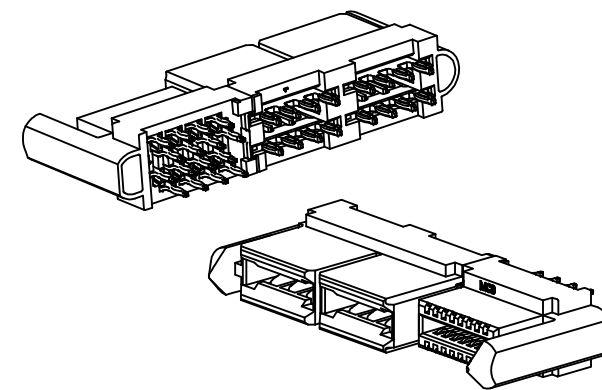
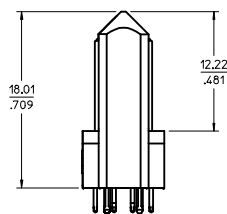
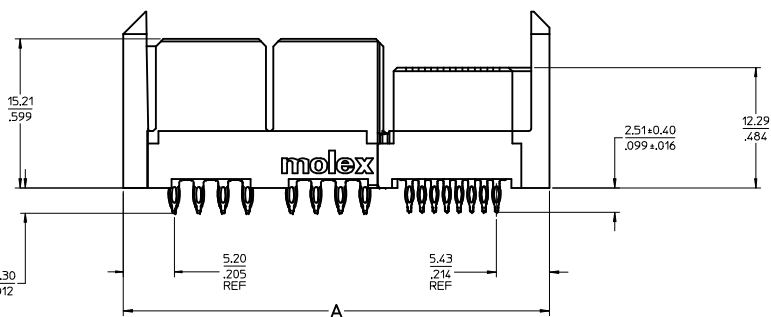
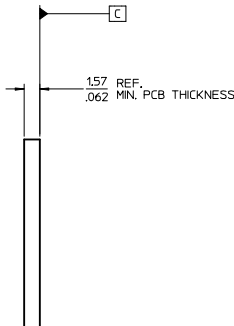
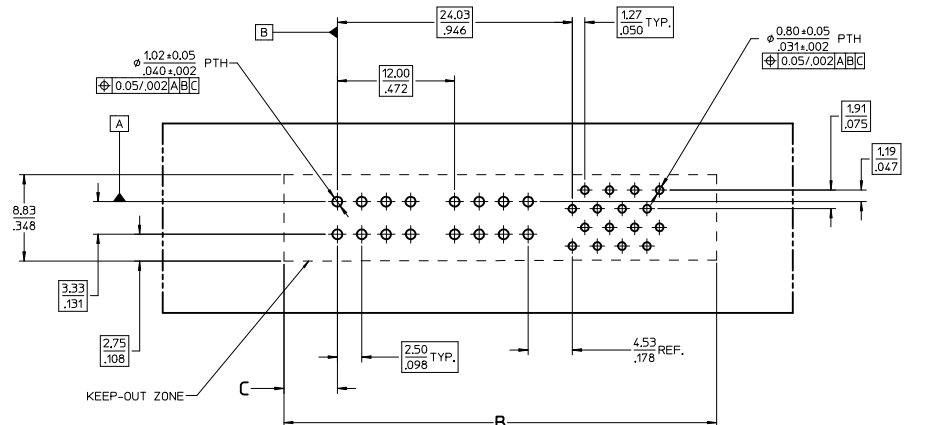


NO OF SIGNALS	MATERIAL NUMBER	COMPLIANT PIN PLATING	DIM A	DIM B	DIM C
12	46114-4120	TIN	4.10/1.615	4.15/1.634	5.45/2.15
16	46114-4160	TIN	4.355/1.715	4.405/1.734	
20	46114-4200	TIN	4.609/1.815	4.659/1.834	
24	46114-4240	TIN	4.863/1.915	4.913/1.934	
28	46114-4280	TIN	5.117/2.015	5.167/2.004	
32	46114-4320	TIN	5.371/2.115	5.421/2.134	
36	46114-4360	TIN	5.625/2.215	5.675/2.234	
40	46114-4400	TIN	5.879/2.315	5.929/2.334	



MATERIAL # 46114-4160 SHOWN

- NOTES:
- MATERIAL: HOUSING: LCP, 94-VO, COLOR: BLACK. POWER CONTACTS: COPPER ALLOY. SIGNAL CONTACTS: MODIFIED TIN BRASS.
  - FINISH: SELECT GOLD - 0.75 μM/30 μ INCHES. SELECTED TIN - 2.50 μM/100 μ INCHES. BOTH OVER NICKEL - 1.25 μM/50 μ INCHES.
  - POWER TERMINALS ARE LUBRICATED IN CONTACT AREA.
  - PARTS ARE RHIS COMPLIANT.
  - MATES TO MOLEX P/N 45985-SERIES OR CARD EDGE 1571.062.
  - PRODUCT SPECIFICATION PS-46114-001.
  - PACKAGING: PER PK-46114-003.



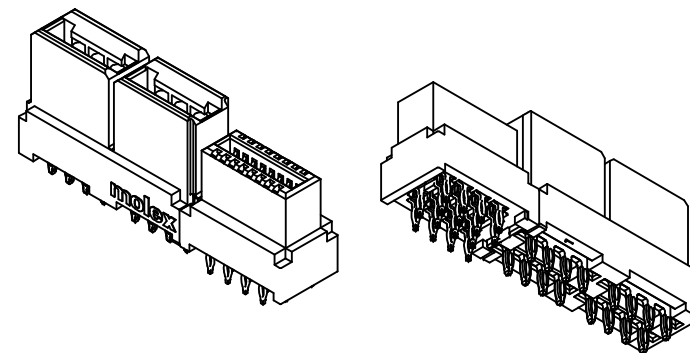
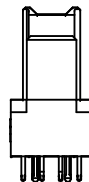
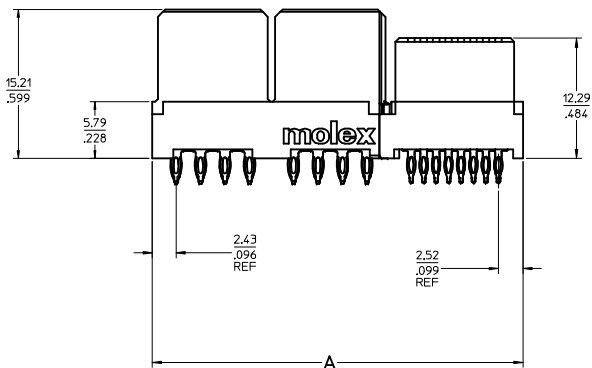
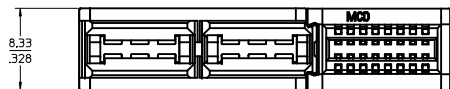
PCB COMPONENT SIDE  
SCALE 4:1

CHG MX TO MCD ELEC NO: S2017-0362 DRAWN BY: 2016/12/15 CHKD: JZENG APPR: KHLIN DATE: 2016/12/21	QUALITY SYMBOLS ∇=0 ∇=0 ∇=0	GENERAL TOLERANCES (UNLESS SPECIFIED)		DIMENSION STYLE MM/IN		SCALE 4:1	DESIGN UNITS METRIC	THIRD ANGLE PROJECTION
		4 PLACES ± --- ± --- 3 PLACES ± --- ± .010 2 PLACES ± 0.25 ± --- 1 PLACE ± --- ± --- 0 PLACE ± ±	mm INCH	DRAWN BY: MKARADIMAS DATE: 07/18/07 CHECKED BY: APATEL DATE: 07/20/07 APPROVED BY: JCOMERCI DATE: 2009/12/03	TITLE LPH VERTICAL RECEPTACLE ASSEMBLY 4 CIRCUIT PWR CONNECTOR, PRESS FIT	MATERIAL NO. SEE CHART		DOCUMENT NO. SD-46114-400

THIS DRAWING CONTAINS INFORMATION THAT IS PROPRIETARY TO MOLEX INCORPORATED AND SHOULD NOT BE USED WITHOUT WRITTEN PERMISSION

20 19 18 17 16 15 14 13 12 11 10 9 8 7 6 5 4 3 2 1

NO OF SIGNALS	MATERIAL NUMBER	COMPLIANT PIN PLATING	DIM A	DIM B	DIM C
12	46114-4121	TIN	35.34/1.391	35.84/1.411	2.691/106
16	46114-4161	TIN	37.88/1.491	38.38/1.511	
20	46114-4201	TIN	40.42/1.591	40.92/1.611	
24	46114-4241	TIN	42.96/1.691	43.46/1.711	
28	46114-4281	TIN	45.50/1.791	46.00/1.811	
32	46114-4321	TIN	48.04/1.891	48.54/1.911	
36	46114-4361	TIN	50.58/1.991	51.08/2.011	
40	46114-4401	TIN	53.12/2.091	53.62/2.111	

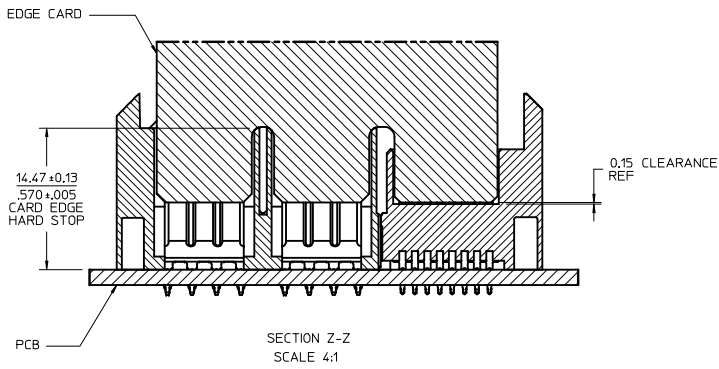


MATERIAL # 46114-4161 SHOWN

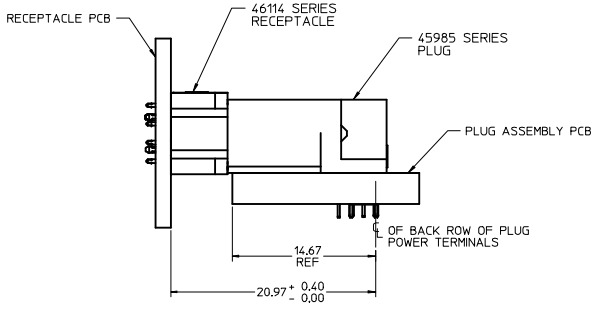
<b>SEE SHEET 1</b> ELEC NO: S2017-0362 DRAWN BY: DRWALIN06 CHKD: JZENG APPR: KHLIN	QUALITY SYMBOLS ▽=0 ▽=0 ▽=0	GENERAL TOLERANCES (UNLESS SPECIFIED) mm INCH 4 PLACES ±.010 ±.010 3 PLACES ±.025 ±.010 2 PLACES ±.050 ±.010 1 PLACE ±.100 ±.010 0 PLACE ±.150 ±.010	DIMENSION STYLE MM/IN	SCALE 4:1	DESIGN UNITS METRIC	THIRD ANGLE PROJECTION	
	DRAWN BY: MKARADI MAS CHECKED BY: APATEL APPROVED BY: JCOMERC I	DATE: 07/18/07 DATE: 07/20/07 DATE: 2009/12/03	TITLE LPH VERTICAL RECEPTACLE ASSEMBLY 4 CIRCUIT PWR CONNECTOR, PRESS FIT	MATERIAL NO. SEE CHART	DOCUMENT NO. SD-46114-400	SHEET NO. 2 OF 3	THIS DRAWING CONTAINS INFORMATION THAT IS PROPRIETARY TO MOLEX INCORPORATED AND SHOULD NOT BE USED WITHOUT WRITTEN PERMISSION
	ANGLAR ±1/2° DRAFT WHERE APPLICABLE MUST REMAIN WITHIN DIMENSIONS						
	SIZE D						

19 18 17 16 15 14 13 12 11 10 9 8 7 6 5 4 3 2 1

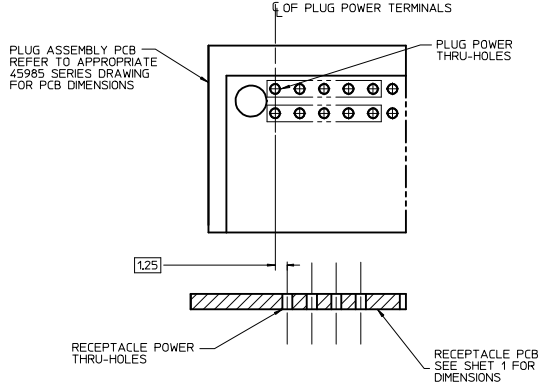
NO OF SIGNAL	DIM. D
12	8.00/315
16	10.54/415
20	13.08/515
24	15.62/615
28	18.16/715
32	20.70/815
36	23.24/915
40	25.78/1015



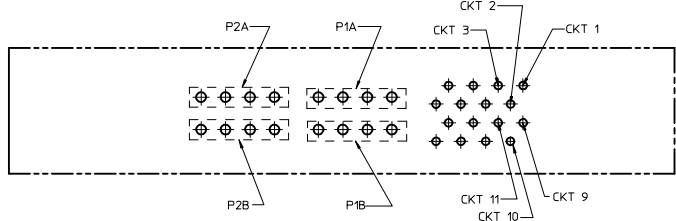
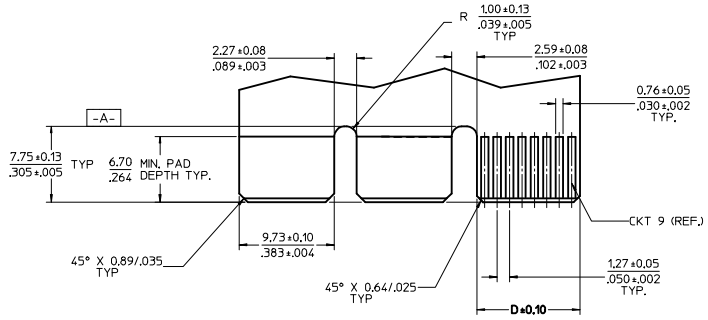
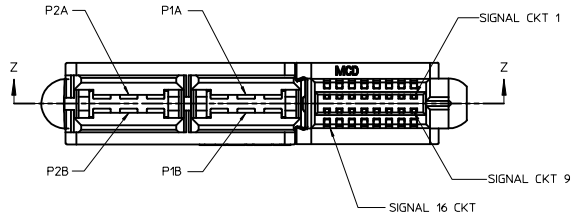
**CARD EDGE MATING**



**PLUG ASSEMBLY MATING**



**ASSEMBLY PCB ALIGNMENT**



RECOMMENDED EDGE CARD LAYOUT  
 EDGE CARD THICKNESS: 1.57/0.62 ± 0.15/0.06  
 PLATING: GOLD 30 μ INCHES MIN.  
 OVER 150 μ INCHES NICKEL.

PCB LAYOUT: COMPONENT SIDE  
 SEE SH1 FOR DIMENSIONS

SEE SHEET 1 ELEC NO: SZ017-0362 DRAWN: JIN06 CHKD: JZNG APPR: KHLIM DATE: 2016/12/15 DATE: 2016/12/21 DATE: 2016/12/21	QUALITY SYMBOLS ∇=0 ∇=0 ∇=0	GENERAL TOLERANCES (UNLESS SPECIFIED) 4 PLACES ± .--- INCH 3 PLACES ± .--- INCH 2 PLACES ± 0.25 INCH 1 PLACE ± .--- INCH 0 PLACE ± .--- INCH	DIMENSION STYLE MM/IN SCALE 4:1 DESIGN UNITS METRIC	DRAWN BY MKARADIMAS DATE 07/18/07 CHECKED BY APATEL DATE 07/20/07 APPROVED BY JCOMERCI DATE 2009/12/03	TITLE LPH VERTICAL RECEPTACLE ASSEMBLY 4 CIRCUIT PWR CONNECTOR, PRESS FIT MATERIAL NO. SEE CHART DOCUMENT NO. SD-46114-400	SHEET NO. 3 OF 3
	ANGULAR ± 1/2° DRAFT WHERE APPLICABLE MUST REMAIN WITHIN DIMENSIONS		THIRD ANGLE PROJECTION		molex	
	INCORPORATED AND SHOULD NOT BE USED WITHOUT WRITTEN PERMISSION		THIS DRAWING CONTAINS INFORMATION THAT IS PROPRIETARY TO MOLEX		INCORPORATED AND SHOULD NOT BE USED WITHOUT WRITTEN PERMISSION	
	THIS DRAWING CONTAINS INFORMATION THAT IS PROPRIETARY TO MOLEX INCORPORATED AND SHOULD NOT BE USED WITHOUT WRITTEN PERMISSION					