

LEVER ON THE LEFT

MATERIAL NUMBER	COLOR
0989934021	BLACK
0989934022	GREY
0989934023	BROWN
0989934024	GREEN
	BLUE
	YELLOW

LEVER ON THE RIGHT

MATERIAL NUMBER	COLOR
0989935021	BLACK
0989935022	GREY
0989935023	BROWN
0989935024	GREEN
	BLUE
	YELLOW

SKC: CS CHARACTERISTICS

- ☒ DENOTES S.P.C DIMENSIONS
- ⊗ DENOTES CRITICAL DIMENSIONS
- DENOTES FUNCTIONAL DIMENSIONS

QUANTITY PER INDIVIDUAL SHEET

☒ 0 ⊗ 0 ● 0 SKC: 13

0989930606	7	MATT SEAL	SILICONE SKC	BLUE
0989930358	6	BACK GRID 48 WAY	PBT-GF20 SKC	GREY
0989930341	5	LOCKING LEVER SIZE 3	PBT-GF30 SKC	BLACK
0989930338	4	SECONDARY LOCK	PBT-GF20 SKC	GREY
0986560002	3	PERIPHERAL SEAL SIZE 3	SILICONE SKC	RED
0989930311	2	BACK PART	PBT-GF20 SKC	BLACK
0989930321 0989930328 0989930325 0989930329	1	FRONT PART	PBT-GF20 SKC	COLOR ASSOCIATED TO KEYING
MATERIAL NUMBER	MARK	DESIGNATION	MATERIAL	COLOR

MARKINGS

- 1 Assembled part tracability day + year
- 2 Terminal cavities identification
- 3 Lever position indicator:  
"D" LETTER VISIBLE= part with "LEVER ON THE RIGHT"  
"G" LETTER VISIBLE= part with "LEVER ON THE LEFT"
- 4 Supplier identification
- 5 Material identification

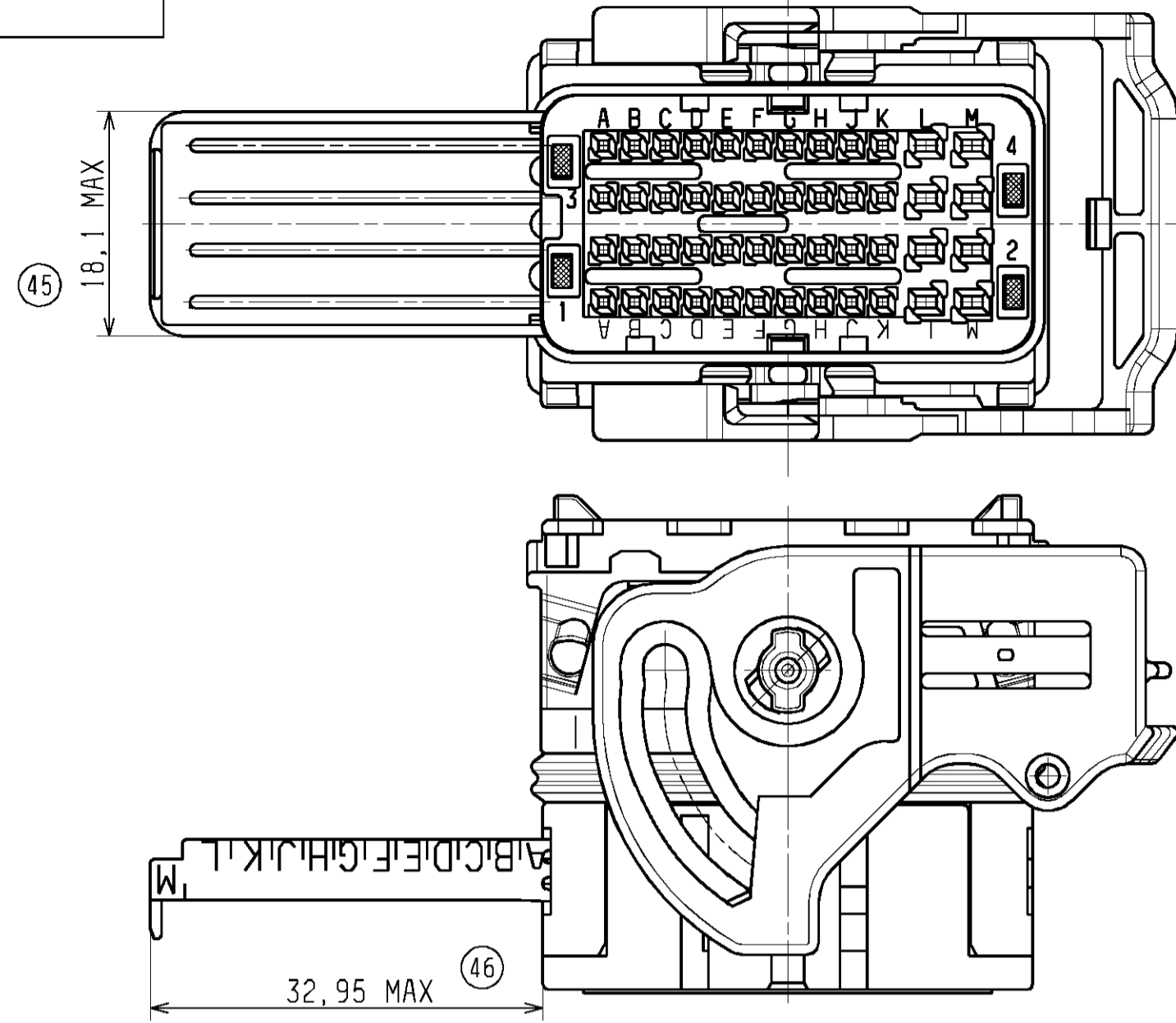
NOTES

- FOR ILLUSTRATION PURPOSE THE FEMALE HOUSING SHOWN IS THE RIGHT WIRE OUTPUT VERSION CODING 1
- INTERFACE DEFINITION, OVERALL DIMENSION AND LOCATION ON HEADER AS PER SD-98644-005 (TBD)
- CAVITIES TERMINALS DESIGN AS PER DOCUMENTS RSD-98995-005 AND SPECIF RSD-98995-006
- PRODUCT MEETS PSA SPECIFICATION STE N°9629568099
- APPLICATION SPECIFICATION: RAS-98993-001
- WIRES EXTERNAL DIAMETER USED:  
FOR CP0,6 TERMINAL: USE WIRES WITH AN EXTERNAL DIAMETER BETWEEN Ø1,20MM MIN AND Ø1,90MM MAX  
FOR CP1,5 TERMINAL: USE WIRES WITH AN EXTERNAL DIAMETER BETWEEN Ø1,40MM MIN AND Ø2,80MM MAX
- THE CONNECTOR FITS WITH WIRE CAP T3 (48WAY) MOLEX P/N 0989931301
- BLIND PLUG FOR 0,6 AND 1,5 CAVITIES (MOLEX P/N 0985751010 AND 0985751023) MUST BE USED ON THIS PART
- DELIVERED PRODUCT WEIGHT: 33,8 g

GENERAL TOLERANCES (UNLESS SPECIFIED)		DIMENSION STYLE		SCALE	DESIGN UNITS	FIRST ANGLE PROJECTION
mm	INCH	MM ONLY		2.5:1	METRIC	
4 PLACES ±	±	DRAWN BY TBADAROUX		DATE 2007/10/29	CMC CONNECTOR 48 WAY MATT SEAL VERSION	
3 PLACES ±	±	CHECKED BY PGRANDCLAUDE		DATE 2007/10/29		
2 PLACES ± 0.1	±	APPROVED BY CBOUCHAN		DATE 2007/10/29		
1 PLACE ± 0.1	±	ANGULAR ± 2°		MATERIAL NO. SEE SHEET 2/3		DOCUMENT NO. SD-98993-028
DRAFT WHERE APPLICABLE MUST REMAIN WITHIN DIMENSIONS				SIZE A1	THIS DRAWING CONTAINS INFORMATION THAT IS PROPRIETARY TO MOLEX INCORPORATED AND SHOULD NOT BE USED WITHOUT WRITTEN PERMISSION	

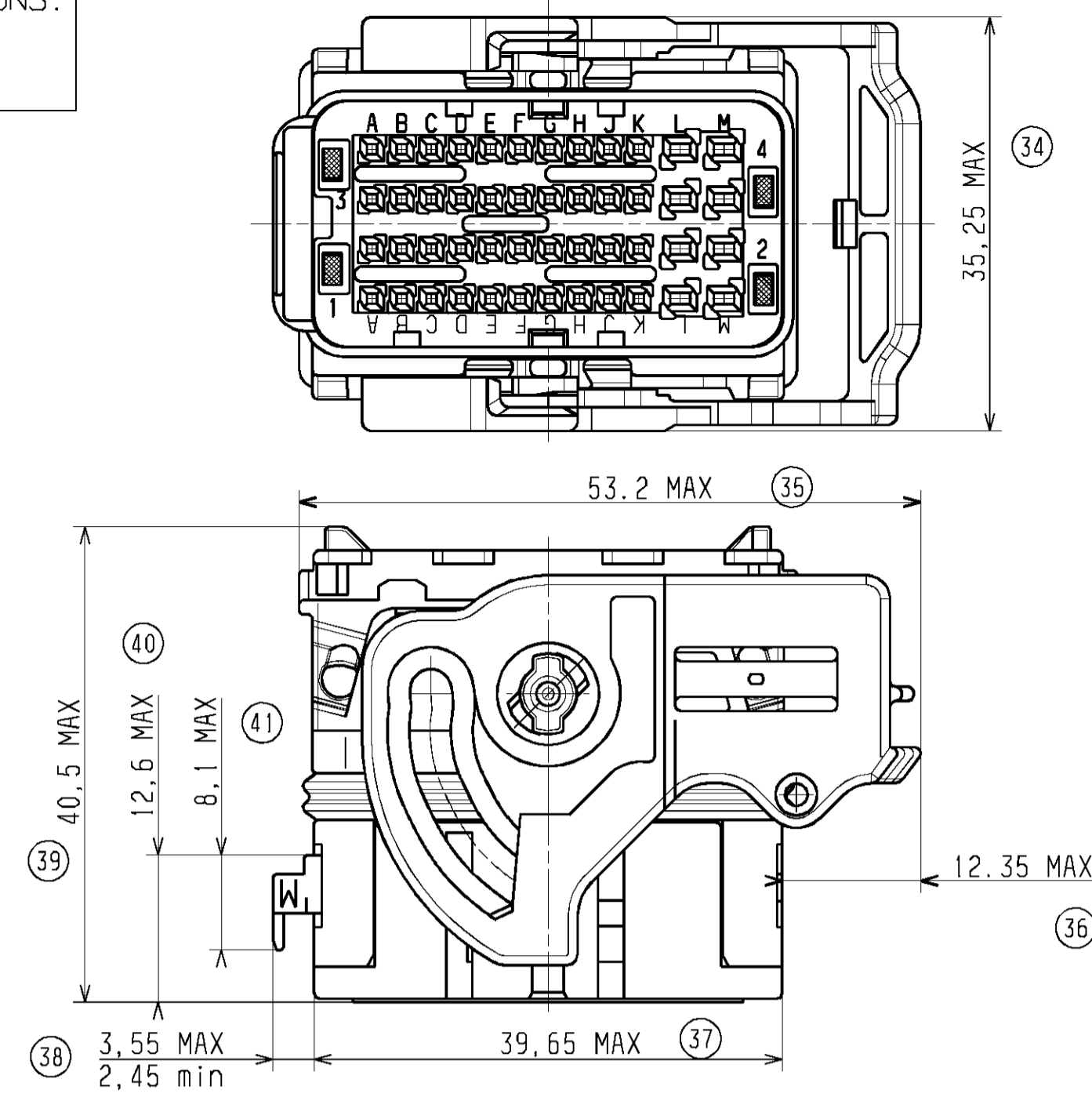
CONNECTOR OVERALL DIMENSIONS:  
SECONDARY LOCKING FULLY OPENED  
FOR TERMINAL INSERTION

RIGHT WIRE OUTPUT

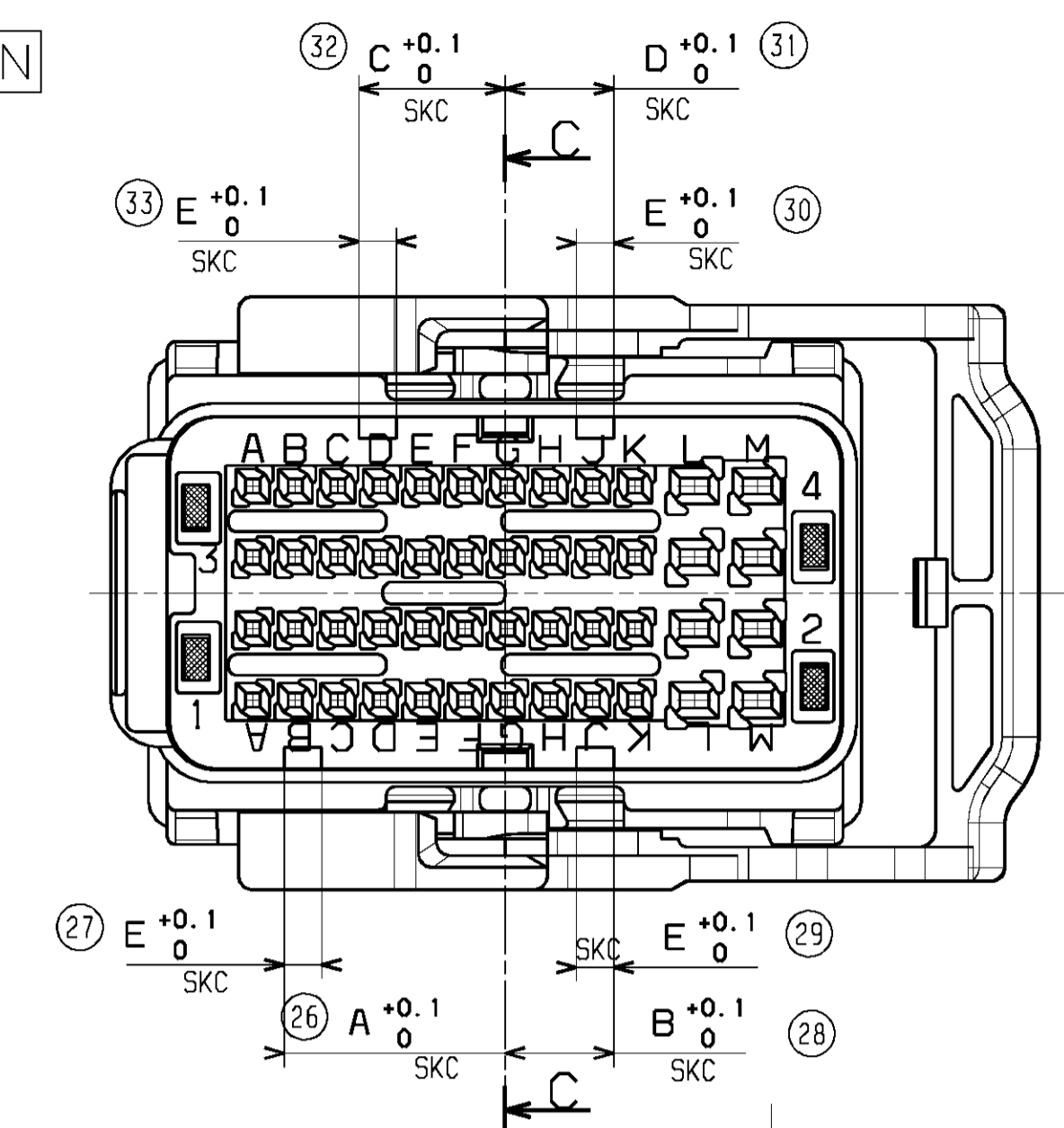


CONNECTOR OVERALL DIMENSIONS:  
SECONDARY LOCKING IN  
DELIVERY POSITION

RIGHT WIRE OUTPUT

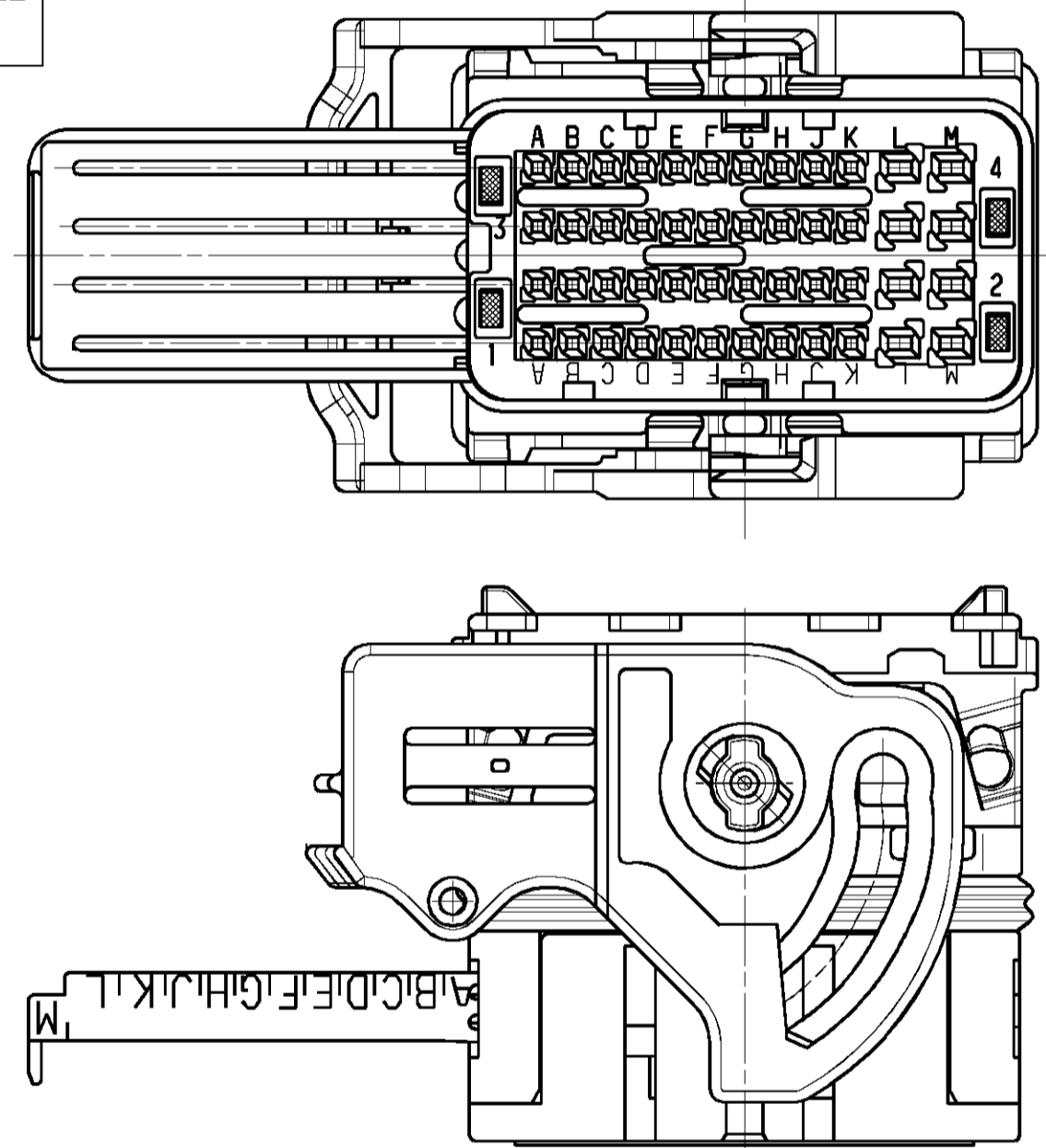


CODING POSITION



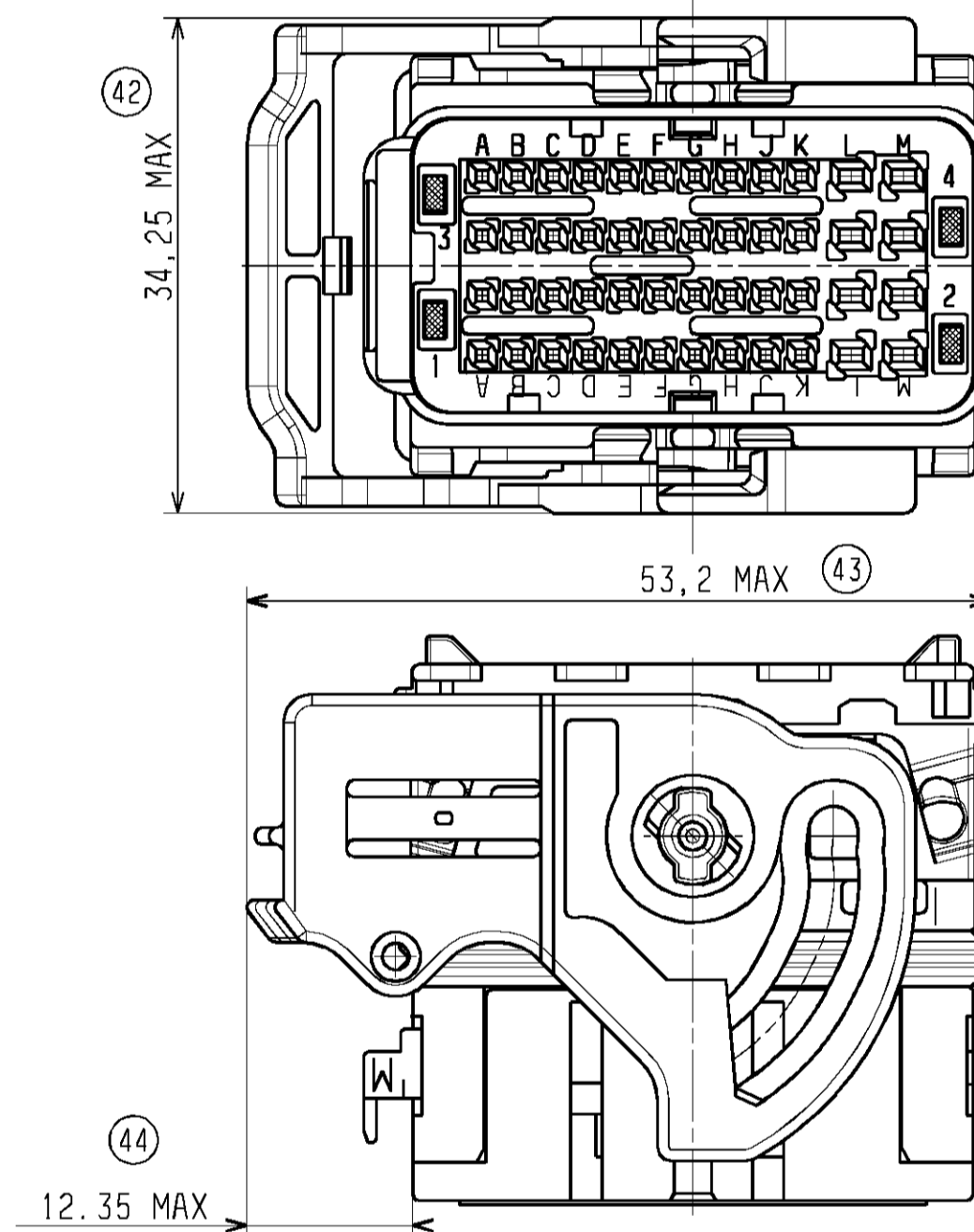
CONNECTOR OVERALL DIMENSIONS:  
SECONDARY LOCKING FULLY OPENED  
FOR TERMINAL INSERTION

LEFT WIRE OUTPUT

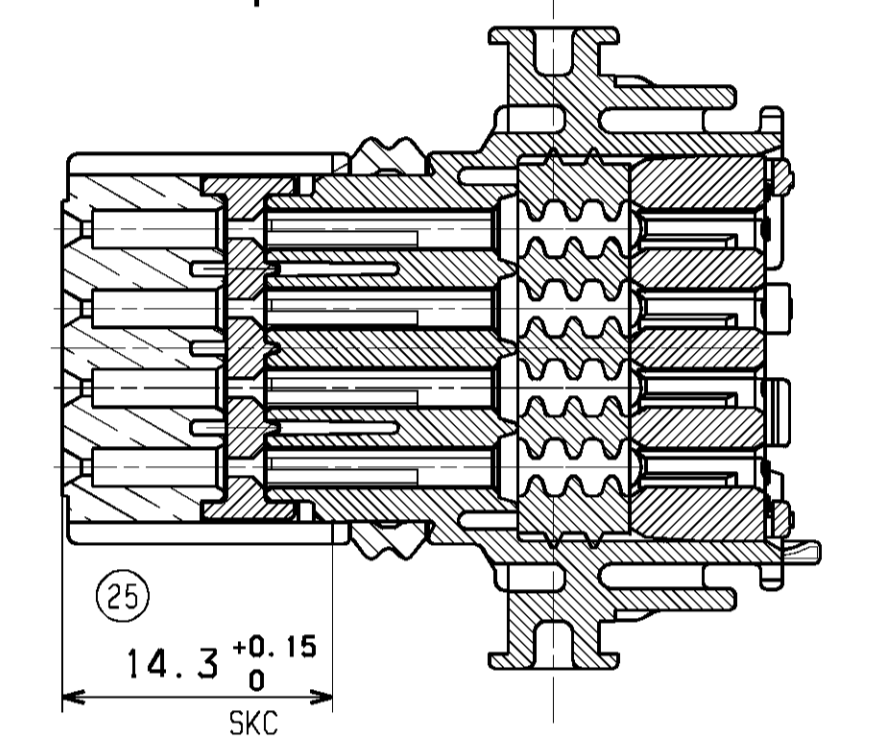


CONNECTOR OVERALL DIMENSIONS:  
SECONDARY LOCKING IN  
DELIVERY POSITION

LEFT WIRE OUTPUT



C-C  
LOCKING LEVER NOT SHOWN



COLOR	KEYING	A <sup>+0.1</sup> <sub>0</sub>	B <sup>+0.1</sup> <sub>0</sub>	C <sup>+0.1</sup> <sub>0</sub>	D <sup>+0.1</sup> <sub>0</sub>	E <sup>+0.1</sup> <sub>0</sub>
BLACK	1	13	6,4	8,6	6,4	2,2
GREY	2	10,8	8,6	13	8,6	2,2
BROWN	3	8,6	10,8	13	13	2,2
GREEN	4	10,8	13	6,4	6,4	2,2
BLUE	5	6,4	10,8	8,6	8,6	2,2
YELLOW	6	13	10,8	6,4	10,8	2,2

TERMINALS USED	MOLEX PART NUMBER				
	TIN PLATED TERMINAL		GOLD PLATED TERMINAL 1.27µm min		
CAVITIES IDENTIFICATION	A1 to F1 A2 to F2 A3 to F3 A4 to F4 (CP0,6)	FEMALE TERMINAL 0,635 (0,35 to 0,44 mm <sup>2</sup> ) 0989131019	FEMALE TERMINAL 0,635 (0,5 to 0,75 mm <sup>2</sup> ) 0989131029	FEMALE TERMINAL 0,635 (0,35 to 0,44 mm <sup>2</sup> ) 0989131229	FEMALE TERMINAL 0,635 (0,5 to 0,75 mm <sup>2</sup> ) 0989131219
	G1 to G4 H1 to H4 (CP1,5)	FEMALE TERMINAL 1,5 (0,5 to 1 mm <sup>2</sup> ) 0989151029	FEMALE TERMINAL 1,5 (>1 to 2 mm <sup>2</sup> ) 0989151039	FEMALE TERMINAL 1,5 (0,5 to 1 mm <sup>2</sup> ) 0989151319	FEMALE TERMINAL 1,5 (>1 to 2 mm <sup>2</sup> ) 0989151219

SKC: CS CHARACTERISTICS

- ☒ DENOTES S.P.C DIMENSIONS
- ⊗ DENOTES CRITICAL DIMENSIONS
- DENOTES FUNCTIONAL DIMENSIONS

QUANTITY PER INDIVIDUAL SHEET

☒ 0    ⊗ 0    ● 0    SKC: 9

FIRST RELEASE EC NO.:G2008-0194 DRAWN:TBADAROUX 2007/10/29 APPR:CBOUCHAN 2007/10/29 APPR:CBOUCHAN 2007/10/29	DESCRIPTION	GENERAL TOLERANCES (UNLESS SPECIFIED)		DIMENSION STYLE	SCALE	DESIGN UNITS	FIRST ANGLE PROJECTION
		mm	INCH	MM ONLY	2:1	METRIC	
		4 PLACES ±	±	DRAWN BY	DATE	TITLE	
		3 PLACES ±	±	TBADAROUX	2007/10/29	CMC CONNECTOR 48 WAY MATT SEAL VERSION	
		2 PLACES ± 0.1	±	CHECKED BY	DATE		
		1 PLACE ± 0.1	±	PGRANDCLAUDE	2007/10/29		
		ANGULAR ± 2°		APPROVED BY	DATE		
				CBOUCHAN	2007/10/29		
				MATERIAL NO.	DOCUMENT NO.		
				SEE SHEET 2/3	SD-98993-028		
				SIZE	THIS DRAWING CONTAINS INFORMATION THAT IS PROPRIETARY TO MOLEX INCORPORATED AND SHOULD NOT BE USED WITHOUT WRITTEN PERMISSION		
				A1	2 OF 2		