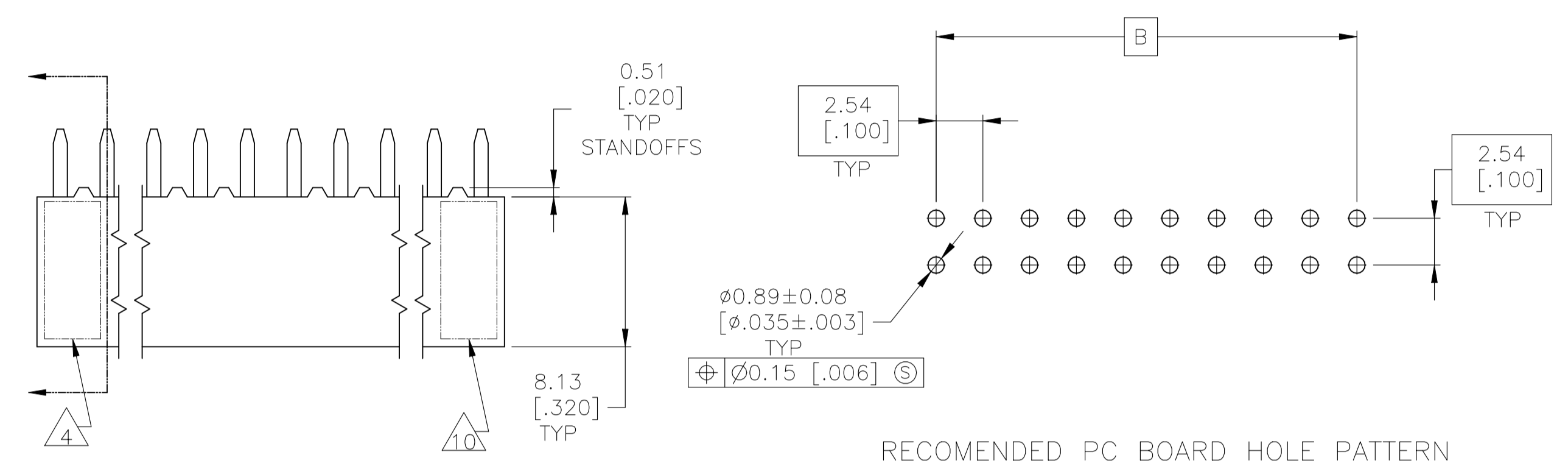
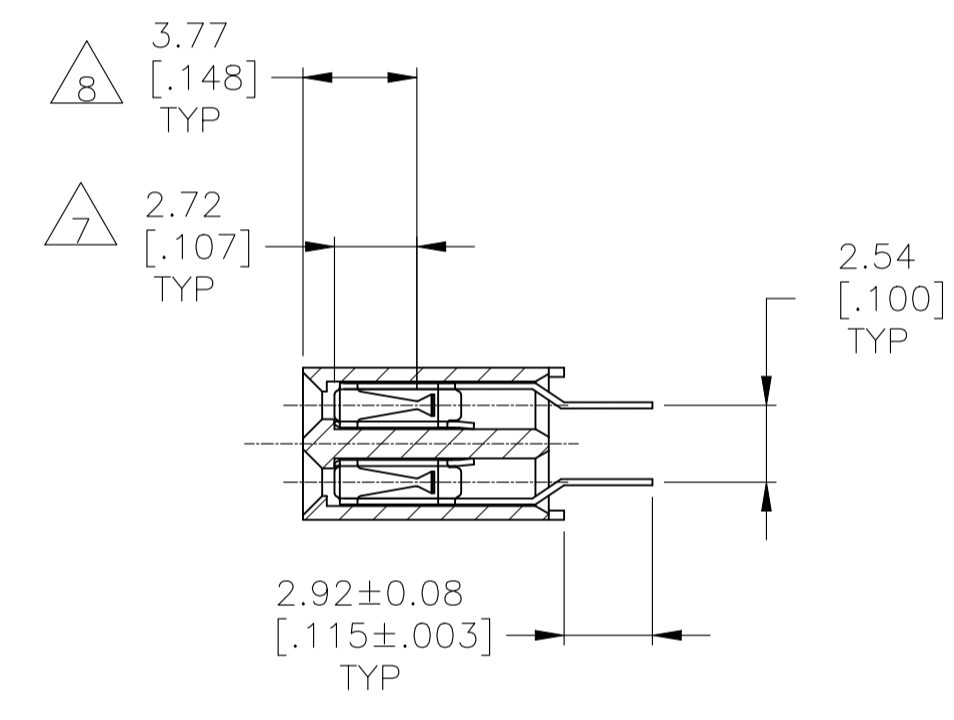
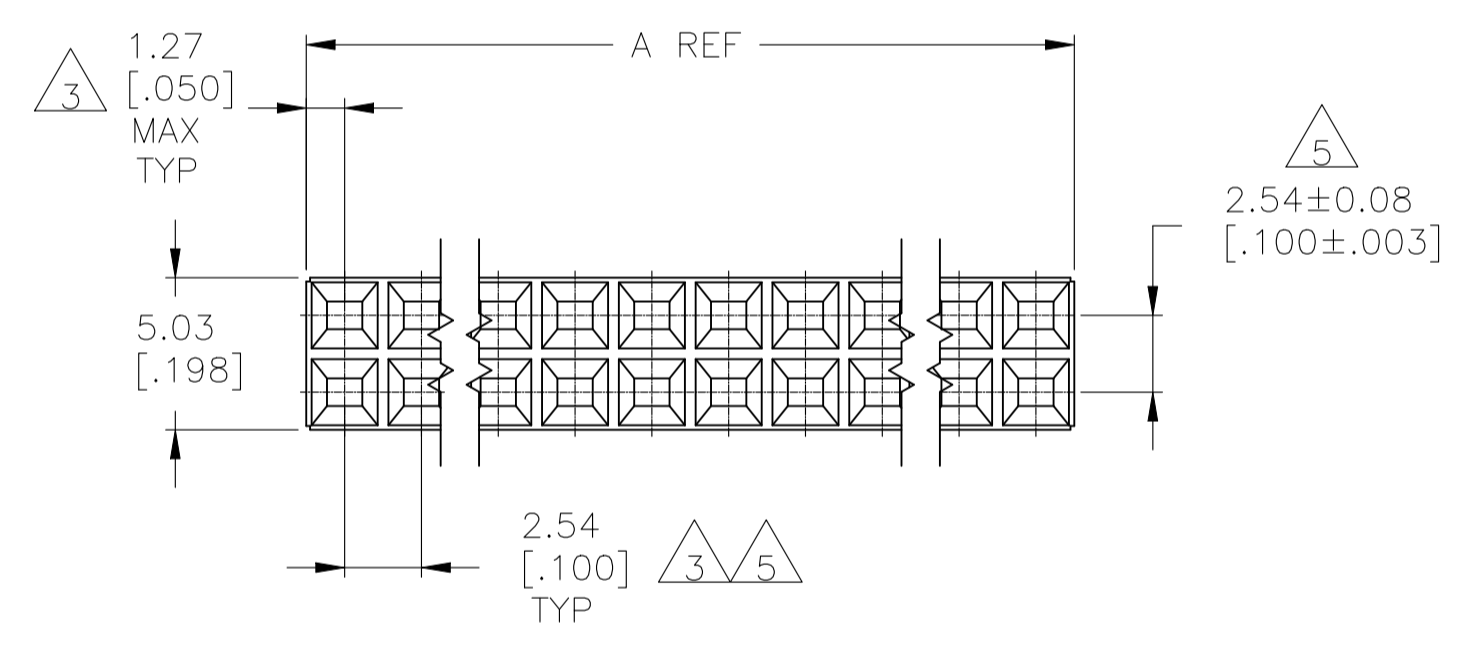


REVISIONS				
REV	DESCRIPTION	DATE	BY	APPD
F	RESIN SUPPLIER CHANGE FOR THE HOUSING	09NOV2021	SCB	KJK

- 1 HOUSING: FLAME RETARDANT, GLASS FILLED, THERMOPLASTIC, COLOR: BLACK. CONTACT: PHOSPHOR BRONZE
- 2 CONTACT: DUPLEX PLATED 0.76μm[.000030] GOLD IN CONTACT AREA, 3.81-7.62μm[.000150-.000300] BRIGHT TIN-LEAD ON LEADS ALL OVER 1.27μm[.000050] MIN NICKEL
- 3 THESE DIMENSIONS PERTAIN TO CAVITY CENTERLINES ONLY-NOT TO CONTACT LOCATIONS
- 4 PART NUMBER AND DATE CODE ARE MARKED IN APPROXIMATE LOCATION SHOWN.
- 5 TOLERANCE IS NON-CUMULATIVE.
- 6 2 POSITION DATE CODE IS MARKED OPPOSITE SIDE OF TYCO LOGO.
- 7 POINT-OF-MEASUREMENT DIMENSION FOR PLATING THICKNESS (INSIDE CONTACT BEAM).
- 8 POINT-OF-CONTACT DIMENSION.
- 9 NO PART NUMBER MARKING REQUIRED FOR THIS PART.
- 10 TYCO LOGO AND CSA LOGO ARE MOLDED INTO HOUSING.
- 11 CONTACT: DUPLEX PLATED 0.76μm[.000030] GOLD IN CONTACT AREA, 3.81-7.62μm[.000150-.000300] MATTE TIN ON LEADS, ALL OVER 1.27μm[.000050] MINIMUM NICKEL
- 12 ROHS 2002/95/EC COMPLIANT.
- 13 OBSOLETE PARTS: OBSOLETE CIS STREAMLINING PER D.RENAUD/D.SINISI



RECOMENDED PC BOARD HOLE PATTERN
PC BOARD THICKNESS 1.57[.062]



99.06[3.900]	101.60[4.000]	80	9-1017008-0	99.06[3.900]	101.60[4.000]	80	4-1017008-0		
96.52[3.800]	99.06[3.900]	78	8-1017008-9	96.52[3.800]	99.06[3.900]	78	3-1017008-9		
93.98[3.700]	96.52[3.800]	76	8-1017008-8	93.98[3.700]	96.52[3.800]	76	3-1017008-8		
91.44[3.600]	93.98[3.700]	74	8-1017008-7	91.44[3.600]	93.98[3.700]	74	3-1017008-7		
88.90[3.500]	91.44[3.600]	72	8-1017008-6	88.90[3.500]	91.44[3.600]	72	3-1017008-6		
86.36[3.400]	88.90[3.500]	70	8-1017008-5	86.36[3.400]	88.90[3.500]	70	3-1017008-5		
83.82[3.300]	86.36[3.400]	68	8-1017008-4	83.82[3.300]	86.36[3.400]	68	3-1017008-4		
81.28[3.200]	83.82[3.300]	66	8-1017008-3	81.28[3.200]	83.82[3.300]	66	3-1017008-3		
78.74[3.100]	81.28[3.200]	64	8-1017008-2	78.74[3.100]	81.28[3.200]	64	3-1017008-2		
76.20[3.000]	78.74[3.100]	62	8-1017008-1	76.20[3.000]	78.74[3.100]	62	3-1017008-1		
73.66[2.900]	76.20[3.000]	60	8-1017008-0	73.66[2.900]	76.20[3.000]	60	3-1017008-0		
71.12[2.800]	73.66[2.900]	58	7-1017008-9	71.12[2.800]	73.66[2.900]	58	2-1017008-9		
68.58[2.700]	71.12[2.800]	56	7-1017008-8	68.58[2.700]	71.12[2.800]	56	2-1017008-8		
66.04[2.600]	68.58[2.700]	54	7-1017008-7	66.04[2.600]	68.58[2.700]	54	2-1017008-7		
63.50[2.500]	66.04[2.600]	52	7-1017008-6	63.50[2.500]	66.04[2.600]	52	2-1017008-6		
60.96[2.400]	63.50[2.500]	50	7-1017008-5	60.96[2.400]	63.50[2.500]	50	2-1017008-5		
58.42[2.300]	60.96[2.400]	48	7-1017008-4	58.42[2.300]	60.96[2.400]	48	2-1017008-4		
55.88[2.200]	58.42[2.300]	46	7-1017008-3	55.88[2.200]	58.42[2.300]	46	2-1017008-3		
53.34[2.100]	55.88[2.200]	44	7-1017008-2	53.34[2.100]	55.88[2.200]	44	2-1017008-2		
50.80[2.000]	53.34[2.100]	42	7-1017008-1	50.80[2.000]	53.34[2.100]	42	2-1017008-1		
48.26[1.900]	50.80[2.000]	40	7-1017008-0	48.26[1.900]	50.80[2.000]	40	2-1017008-0		
45.72[1.800]	48.26[1.900]	38	6-1017008-9	45.72[1.800]	48.26[1.900]	38	1-1017008-9		
43.18[1.700]	45.72[1.800]	36	6-1017008-8	43.18[1.700]	45.72[1.800]	36	1-1017008-8		
40.64[1.600]	43.18[1.700]	34	6-1017008-7	40.64[1.600]	43.18[1.700]	34	1-1017008-7		
38.10[1.500]	40.64[1.600]	32	6-1017008-6	38.10[1.500]	40.64[1.600]	32	1-1017008-6		
35.56[1.400]	38.10[1.500]	30	6-1017008-5	35.56[1.400]	38.10[1.500]	30	1-1017008-5		
33.02[1.300]	35.56[1.400]	28	6-1017008-4	33.02[1.300]	35.56[1.400]	28	1-1017008-4		
30.48[1.200]	33.02[1.300]	26	6-1017008-3	30.48[1.200]	33.02[1.300]	26	1-1017008-3		
27.94[1.100]	30.48[1.200]	24	6-1017008-2	27.94[1.100]	30.48[1.200]	24	1-1017008-2		
25.40[1.000]	27.94[1.100]	22	6-1017008-1	25.40[1.000]	27.94[1.100]	22	1-1017008-1		
22.86[.900]	25.40[1.000]	20	5-1017008-9	22.86[.900]	25.40[1.000]	20	1-1017008-9		
20.32[.800]	22.86[.900]	18	5-1017008-8	20.32[.800]	22.86[.900]	18	1-1017008-8		
17.78[.700]	20.32[.800]	16	5-1017008-7	17.78[.700]	20.32[.800]	16	1-1017008-7		
15.24[.600]	17.78[.700]	14	5-1017008-6	15.24[.600]	17.78[.700]	14	1-1017008-6		
12.70[.500]	15.24[.600]	12	5-1017008-5	12.70[.500]	15.24[.600]	12	1-1017008-5		
10.16[.400]	12.70[.500]	10	5-1017008-4	10.16[.400]	12.70[.500]	10	1-1017008-4		
7.62[.300]	10.16[.400]	8	5-1017008-3	7.62[.300]	10.16[.400]	8	1-1017008-3		
5.08[.200]	7.62[.300]	6	5-1017008-2	5.08[.200]	7.62[.300]	6	1-1017008-2		
2.54[.100]	5.08[.200]	4	5-1017008-1	2.54[.100]	5.08[.200]	4	1-1017008-1		
	2.54[.100]	2	5-1017008-0		2.54[.100]	2	1-1017008-0		
48.26[1.900]	50.80[2.000]	40	5-1017008-1	48.26[1.900]	50.80[2.000]	40	1-1017008-1		
FINISH	B	A	NO OF POSN	PART NUMBER	FINISH	B	A	NO OF POSN	PART NUMBER

THIS DRAWING IS A CONTROLLED DOCUMENT.

DIMENSIONS: mm [INCHES]	TOLERANCES UNLESS OTHERWISE SPECIFIED: 0. PLC ± - 1. PLC ± - 2. PLC ± - 3. PLC ± 0.13 [.005] 4. PLC ± - ANGLES ± -	DIN T. SHUEY 18SEP2001 CHK 10NOV97 H. ROSE H. ROSE 10NOV97 NAME ASSEMBLY,MOD II,DOUBLE ROW, .100 X .100,VERTICAL MOUNTED, CLOSED ENTRY,SHORT PT CONTACTS	TE Connectivity
MATERIAL	FINISH	SIZE A1	RESTRICTED TO
CUSTOMER DRAWING		SCALE 4:1	SHEET 1 of 1 REV F