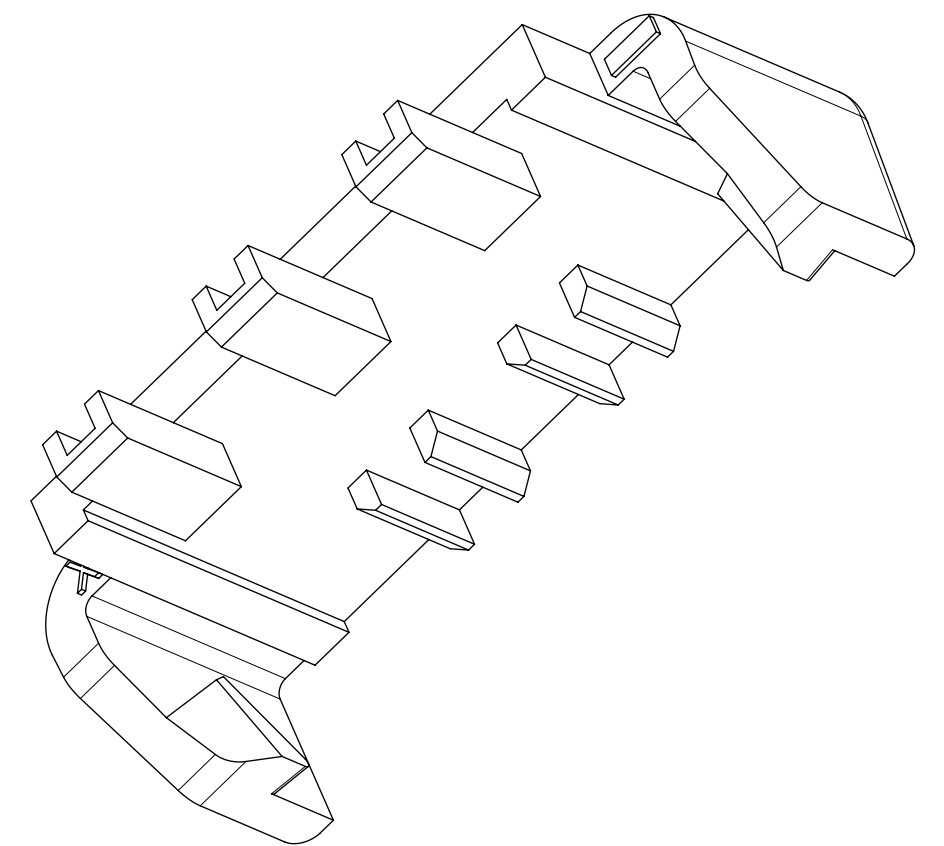
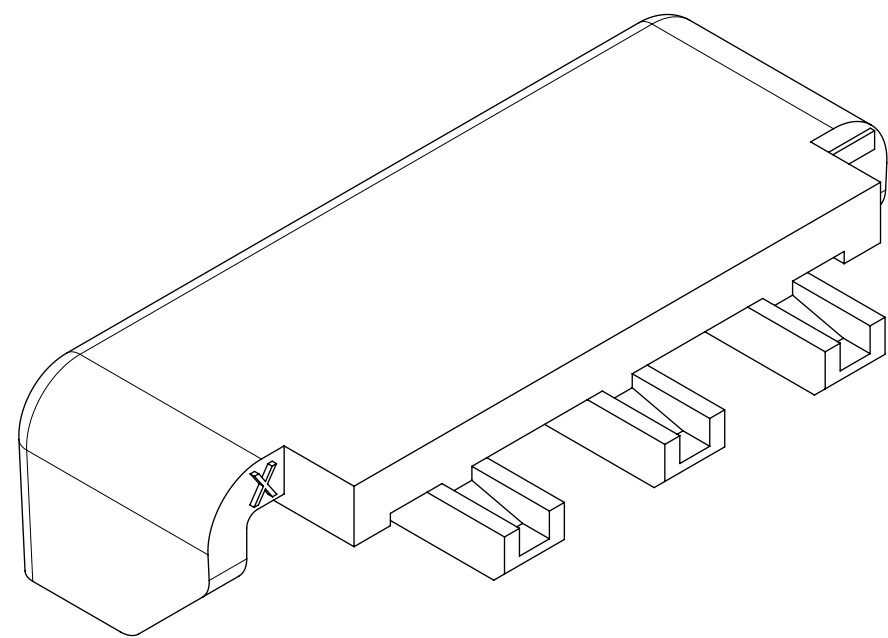
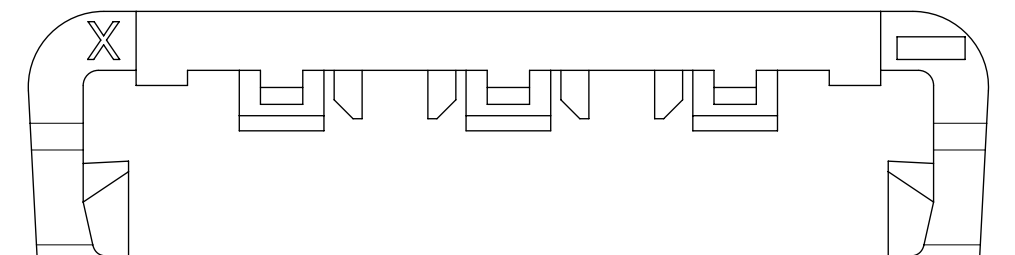
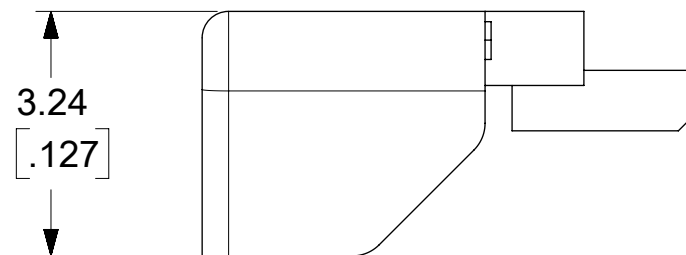
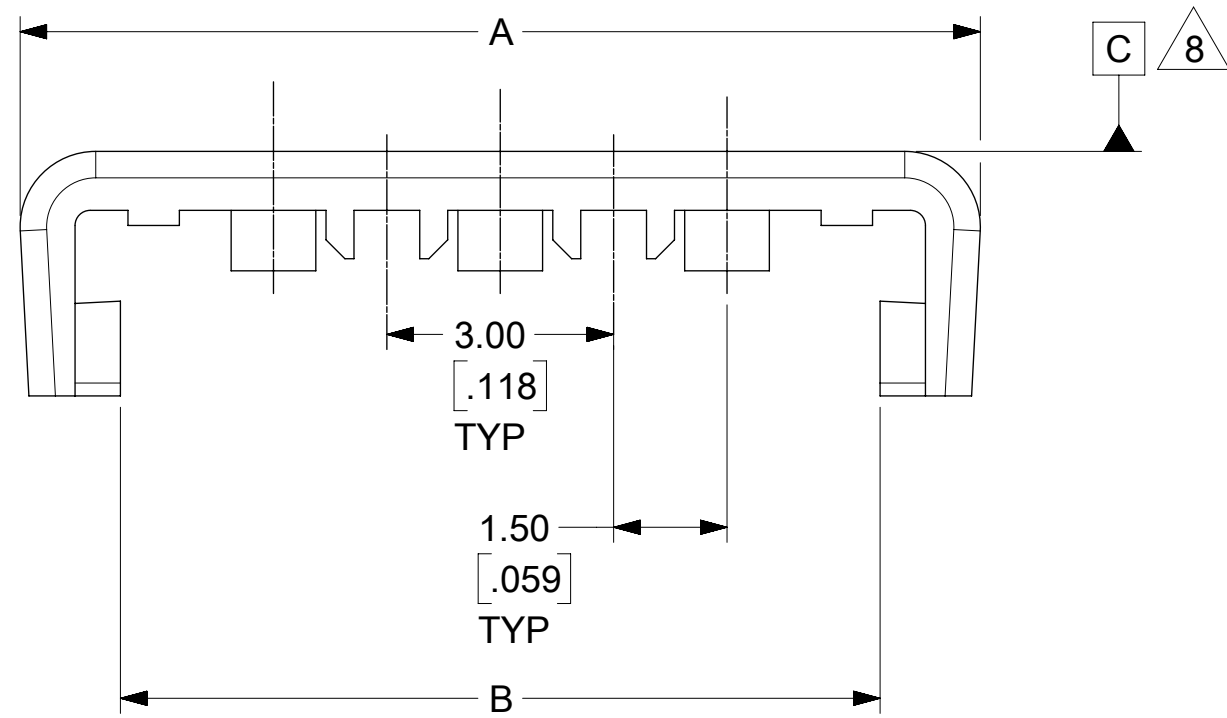


- NOTES:
- 1) MATERIAL:  
UNFILLED NYLON, RATED UL94V-2, IEC60335-1 GLOW WIRE CAPABLE, COLOR: NATURAL(WHITE).
  - 2) FINISH: NONE
  - 3) PRODUCT SPECIFICATION: PS-43045
  - 4) PACKAGING SPECIFICATION: BULK PER 1729530001-PK
  - 5) FOR USE WITH: 172952-XX02 RECEPTACLE OR 203632-XX1X PLUG HOUSINGS. NEVER USE WITHOUT TPA.
  - 6) THIS PART CONFORMS TO CLASS B REQUIREMENTS OF COSMETIC SPEC PS-45499-002
  - 7) TEXT ON PART IS FOR REFERENCE ONLY. TEXT AND TEXT LOCATION MAY VARY DEPENDING ON PART NUMBER AND/OR TOOL.
  - 8 BOW 0.38 / .015 MAX PER 25.4 / 1.00 ON SURFACE C
  - 9 CIRCUIT SIZE INDICATES THE SIZE OF THE MATCHING DUAL-ROW RECEPTACLE HOUSING. TWO TPA STRAPS ARE REQUIRED FOR EACH RECEPTACLE HOUSING.
  - 10) SEE SD-172952-002 (RECEPTACLE) OR 2036320010-SD (PLUG) FOR INSTALLATION INSTRUCTIONS



172953-0602 SHOWN

24	172953-2402	39.70 / 1.563	37.05 / 1.459
22	172953-2202	36.70 / 1.445	34.05 / 1.341
20	172953-2002	33.70 / 1.327	31.05 / 1.222
18	172953-1802	30.70 / 1.209	28.05 / 1.104
16	172953-1602	27.70 / 1.091	25.05 / .986
14	172953-1402	24.70 / .973	22.05 / .868
12	172953-1202	21.70 / .854	19.05 / .750
10	172953-1002	18.70 / .736	16.05 / .632
8	172953-0802	15.70 / .618	13.05 / .514
6	172953-0602	12.70 / .500	10.05 / .396
4	172953-0402	9.70 / .382	7.05 / .278
<b>CKT SIZE</b> 9	<b>PART NUMBER</b>	<b>DIM A ±0.51/±.020</b>	<b>DIM B ±0.38/±.015</b>

THIS DRAWING CONTAINS INFORMATION THAT IS PROPRIETARY TO MOLEX ELECTRONIC TECHNOLOGIES, LLC AND SHOULD NOT BE USED WITHOUT WRITTEN PERMISSION									
DIMENSION UNITS		SCALE		CURRENT REV DESC: CHANGE COLOR					
MM/IN		10:1		<p><b>molex</b></p> <p>MICRO-FIT DUAL ROW TPA GLOW WIRE FOR RECEPTACLE AND PLUG HOUSINGS</p> <p>PRODUCT CUSTOMER DRAWING</p> <p>DOCUMENT NUMBER: SD-172953-002   DOC TYPE: PSD   DOC PART: 001   REVISION: B</p> <p>MATERIAL NUMBER: SEE CHART   CUSTOMER: GENERAL MARKET   SHEET NUMBER: 1 OF 1</p>					
GENERAL TOLERANCES (UNLESS SPECIFIED)									
4 PLACES	±	MM	INCH						
3 PLACES	±		± 0.01						
2 PLACES	±	0.25	± 0.015						
1 PLACE	±	0.38	±						
0 PLACES	±		±	EC NO: 602458		DRWN: RLALSANGI		2018/02/07	
ANGULAR TOL ± 0.5 °				APPR: FSMITH		2018/09/20		CHK'D: SSOUSEK	
DRAFT WHERE APPLICABLE MUST REMAIN WITHIN DIMENSIONS				THIRD ANGLE PROJECTION		DRAWING		SERIES	
				C-SIZE		172953		INITIAL REVISION:	
								DRWN: MCOLE	
								2016/02/24	
								APPR: BPISZCZOR	
								2016/03/24	