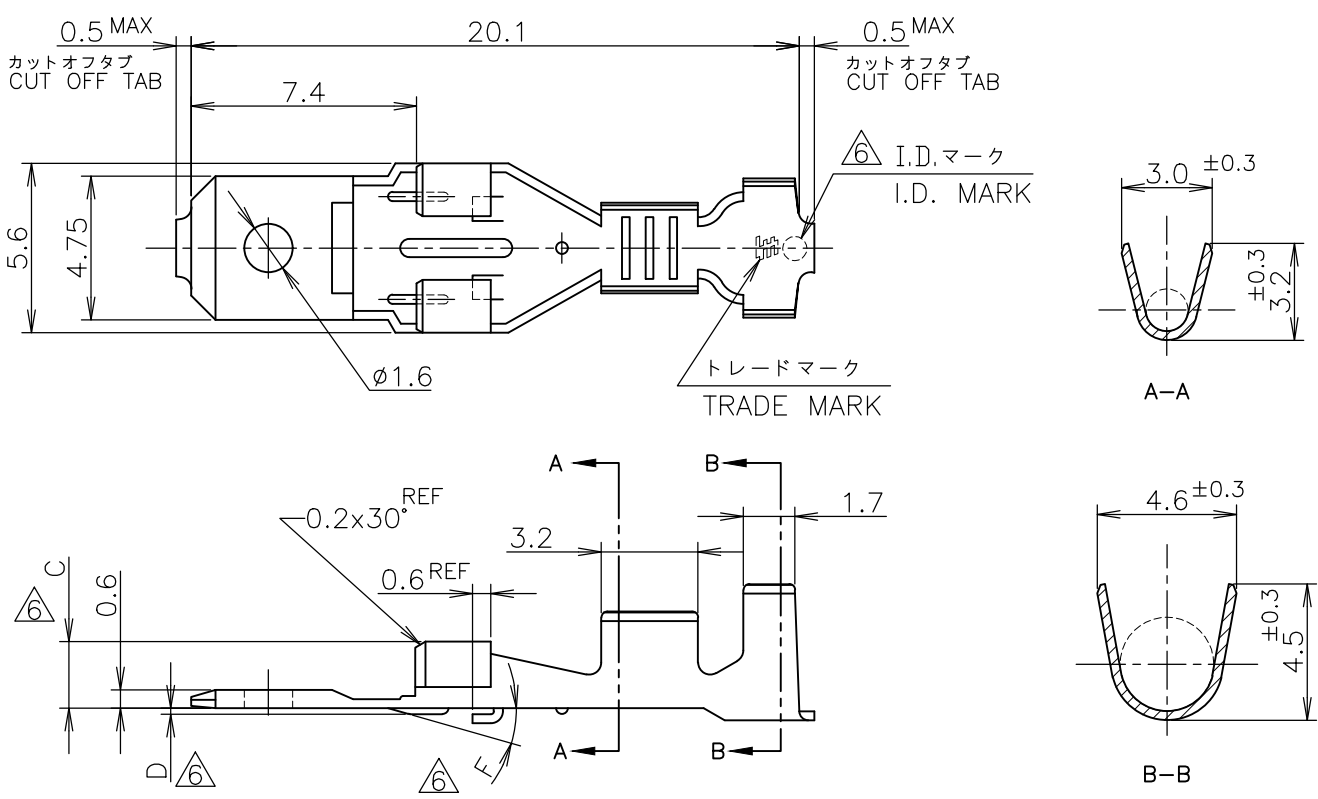


LOC J	DIST /	REVISIONS 変更			DATE	DWN	APVD
		P	LTR	DESCRIPTION			
			D1	REVISED PER ECR-19-017501	13NOV2019	MK	TD



- |                                                                                                                                                                 |                                                                                                                                                                                            |
|-----------------------------------------------------------------------------------------------------------------------------------------------------------------|--------------------------------------------------------------------------------------------------------------------------------------------------------------------------------------------|
| 1 適用製品規格: 108-5338                                                                                                                                              | 1 PRODUCT SPEC: 108-5338                                                                                                                                                                   |
| 2 適用圧着規格: 114-5041                                                                                                                                              | 2 APPLICATION SPEC: 114-5041                                                                                                                                                               |
| 3 適用ハウジング型番:<br>176448-* (175179-1に適用)<br>179182-* (175179-1,-2に適用)                                                                                             | 3 APPLICABLE HOUSING P/N:<br>176448-* (APPLY TO 175179-1)<br>179182-* (APPLY TO 175179-1,-2)                                                                                               |
| 4 嵌合相手側コネクタ型番:<br>リセハウジング: 173974-* (176448-*と嵌合)<br>179183-* (179182-*と嵌合)<br>リセコンタクト: 170324-* (AWG#24~#20)<br>170325-* (AWG#20~#16)<br>170326-* (AWG#18~#14) | 4 MATING REC. CONNECTOR P/N:<br>REC HSG: 173974-* (MATE FOR 176448-*)<br>179183-* (MATE FOR 179182-*)<br>REC CONT: 170324-* (AWG#24~#20)<br>170325-* (AWG#20~#16)<br>170326-* (AWG#18~#14) |
| 5 取扱説明書: 1S-545                                                                                                                                                 | 5 INSTRUCTION SHEET NO: 1S-545                                                                                                                                                             |
| $\triangle$ 表参照のこと                                                                                                                                              | $\triangle$ SEE TABLE                                                                                                                                                                      |

3 & 4	10° REF	0.15 REF	2.15 MAX	PRE-TIN BRASS	錫めっき済黄銅 0.3t	175179-2
1&2/5&6	15° REF	0.2 REF	2.2	PRE-TIN BRASS	錫めっき済黄銅 0.3t	175179-1
$\triangle$ ID MARK	$\triangle$ F	$\triangle$ D	$\triangle$ C	MATERIAL 材料	FINISH 仕上	P/N 型番
DIMENSIONS						

WIRE RANGE 抱合電線断面積	AWG #20-#16 0.51~1.38 mm <sup>2</sup>	INSULATION DIA 被覆外径	1.9~3.4 mm $\phi$
-----------------------	------------------------------------------	------------------------	-------------------

DIMENSIONS: 単位: 耗 mm	DWN T.TSUZAKI 11NOV2010
TOLERANCES UNLESS OTHERWISE SPECIFIED: 一般公差	CHK T.MASUDA 18NOV2010
0 PLC ± 10 ≥ ± 0.2	APVD T.MASUDA 18NOV2010
1 PLC ± 30 ≥ > 10: ± 0.25	PRODUCT SPEC 製品規格
2 PLC ± 100 ≥ > 30: ± 0.3	APPLICATION SPEC 取付適用規格
3 PLC ±	WEIGHT
4 PLC ±	
ANGLES ± 3°	

**TE** TE Connectivity

NAME 187シリーズ ポジティブ ロック MK-II タブ コンタクト  
名称 187 SERIES POSITIVE LOCK MK-II TAB CONTACT

電線 対 電線 接続用 W-W TYPE

SIZE	CAGE CODE	DRAWING NO 番号	RESTRICTED TO
A4	00779	C-175179	

CUSTOMER DRAWING

SCALE 尺度	SHEET	REV
4:1	1 OF 1	D1

THIS DRAWING IS UNPUBLISHED. ALL INTERNATIONAL RIGHTS RESERVED. BY TYCO ELECTRONICS CORPORATION. COPYRIGHT