

4

3

2

1

This drawing involves proprietary design rights of Tyco Electronics Corporation, and all design, manufacture, reproduction, use and sale rights regarding the same are expressly reserved. It is submitted for a specific purpose and the recipient by accepting this drawing, assumes custody and control and agrees to take reasonable precautions (a) that this drawing will not be copied and reproduced in whole or in part, or its contents revealed in any manner, or to any person except to meet the purpose for which it was delivered and (b) that any special features peculiar to this design will not be incorporated in other projects without the expressed written permission of Tyco Electronics Corporation.

REVISIONS			
EC	REV	DESCRIPTION	DATE
CPR	A	NEW RELEASE	6/29/05
---	B	CHANGED SOLDER TAILS FROM MEDIUM TO STD (LONG)	7/13/05
ECD-06-007336	C	UPDATED NOTE 3 FINISH TO CURRENT STANDARD NOTE	01/27/06

NOTES: UNLESS OTHERWISE SPECIFIED.

1. PART NUMBER CHANGES AND OR DESIGN CHANGES AFFECTING ITEM INTERCHANGEABILITY REQUIRE PRIOR ELCON APPROVAL AND AUTHORIZATION BY REVISION TO THIS DRAWING.

2. MATERIALS:

INSULATORS: THERMOPLASTIC, GLASS REINFORCED, COLOR BLACK. UL94V-0 FLAMMABILITY RATED.

POWER CONTACTS: PHOSPHOR BRONZE ALLOY, COPPER ALLOY.

CROWN BANDS: BERYLLIUM COPPER ALLOY. GUIDE PIN: TELLURIUM COPPER ALLOY.

3. FINISHES:

CONTACTS: GOLD PLATED, .000030" MIN THICK. OVER NICKEL PLATED, .000050" MIN THICK.

TERMINALS: TIN PLATED, .000120" MIN THICK. OVER NICKEL PLATED, .000050" MIN THICK.

GUIDE PIN: SILVER PLATED, .000200" MIN THICK. OVER NICKEL PLATED, .000040" MIN THICK.

▲ ACTIVE GUIDE PIN ACCEPTS #4-40 SCREWS, (USER SUPPLIED).

5. ITEMS PROVIDED TO THIS SPECIFICATION TO BE PERMANENTLY IDENTIFIED PER THE FOLLOWING IDENTIFIER:

YEAR WEEK

TYCO PART NO.

DATE CODE (e.g. 0610)

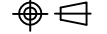


XXXXXXXX-X

XXXX

6. MODULE INFORMATION

CONNECTOR	TYCO PART NUMBER	CATALOG MODULE #	QTY	SIZE NO.	CONTACT QTY	MATING PIN	MAX. CURRENT (PER CONTACT)	CONTACT SPACING	VOLTAGE RATING*
PIN	17766691-1	FP0101	2	8	2	1.25 X 7.00 [.049 X .276]	35 AMPERES	7.50 [2953]	250 VOLTS
		FP0517	1	ACTIVE STRAIGHT GUIDE PIN					

*IAW IEC-950

 THIRD ANGLE PROJECTION UNLESS OTHERWISE SPECIFIED DIMENSIONS ARE IN METRIC [INCHES] TOLERANCES ANGLES ± .5° DECIMALS .XX ± .25 [.010] .X ± .5 [.020]	DRAWN R. F. A. CHECKED	DATE 06/10/05	 Tyco Electronics Corporation Menlo Park, Ca 94025		
	APPROVED		TITLE		
	APPROVED	01/27/06	CONNECTOR, PIN, STRAIGHT STANDARD SOLDER TAILS FLATPAQ		
	DCA APPROVED	01/27/06	SIZE	DWG NUMBER	REV.
HA NGUYEN	01/27/06	B	C = 1766691	C	
ACAD FILE NUMBER	C1766691C.DWG		DWG SCALE	1=1	SH 1 OF 3

4

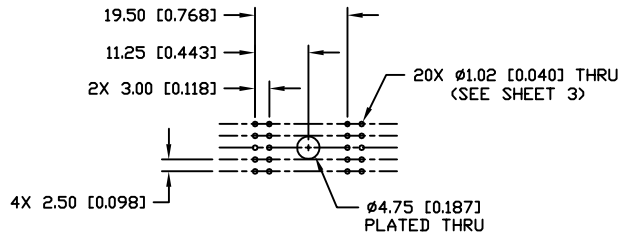
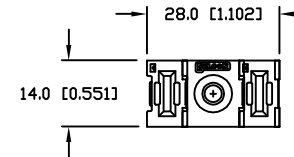
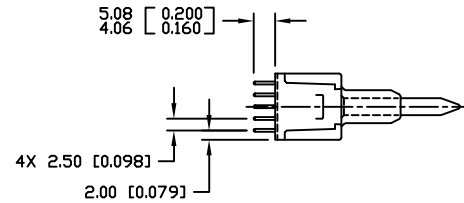
3

2

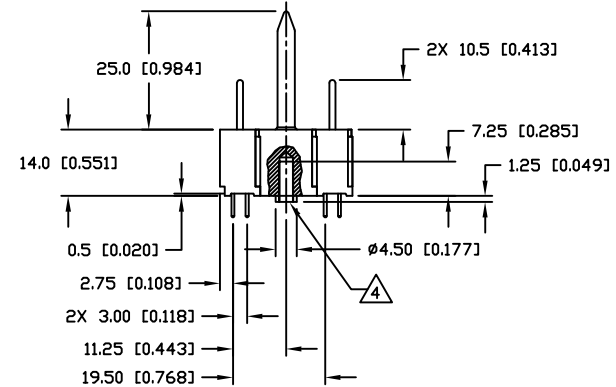
1

This drawing involves proprietary design rights of Tyco Electronics Corporation, and all design, manufacture, reproduction, use and sale rights regarding the same are expressly reserved. It is submitted for a specific purpose and the recipient by accepting this drawing, assumes custody and control and agrees to take reasonable precautions: (a) that this drawing will not be copied and reproduced, in whole or in part, or its contents revealed in any manner, or to any person except to meet the purpose for which it was delivered and (b) that any special features peculiar to this design will not be incorporated in other projects without the expressed written permission of Tyco Electronics Corporation.

REVISIONS		DESCRIPTION	DATE
EC	REV		
		SEE SHEET 1	



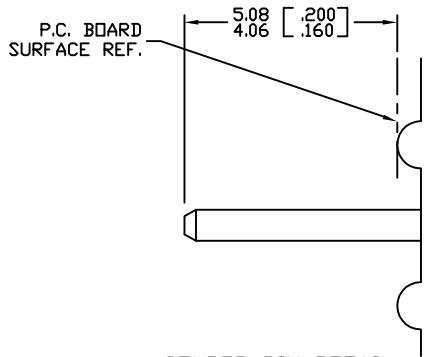
PRINTED CIRCUIT LAYOUT



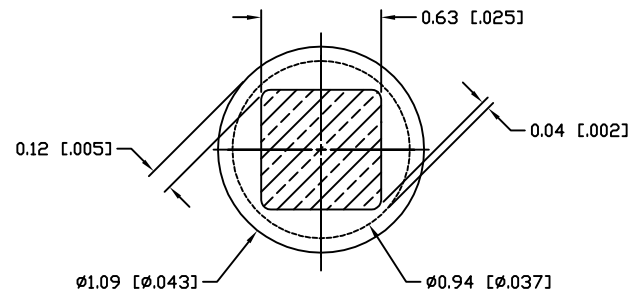
THIRD ANGLE PROJECTION UNLESS OTHERWISE SPECIFIED DIMENSIONS ARE IN METRIC [INCHES] TOLERANCES ANGLES ± .5° DECIMALS .XX ± .25 [0.010] .X ± .5 [0.020]	DRAW R. F. A.	DATE 06/10/05	Tyco Electronics Corporation Menlo Park, Ca 94025		
	CHECKED		TITLE		
	APPROVED		CONNECTOR, PIN, STRAIGHT STANDARD SOLDER TAILS FLATPAQ		
	APPROVED D. CHAU	01/27/06	SIZE B	DWG NUMBER C = 1766691	REV. C
	HA NGUYEN	01/27/06	ACAD FILE NUMBER C1766691C.DWG	DWG SCALE 1=1	SH 2 OF 3

This drawing involves proprietary design rights of Tyco Electronics Corporation, and all design, manufacture, reproduction, use and sale rights regarding the same are expressly reserved. It is submitted for a specific purpose and the recipient by accepting this drawing, assumes custody and control and agrees to take reasonable precautions: (a) that this drawing will not be copied and reproduced in whole or in part, or its contents revealed in any manner, or to any person except to meet the purpose for which it was delivered and (b) that any special features peculiar to this design will not be incorporated in other projects without the expressed written permission of Tyco Electronics Corporation.

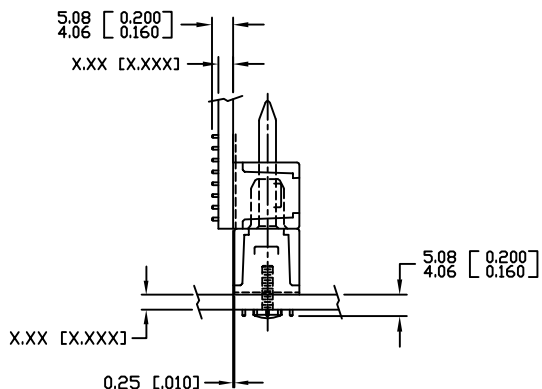
REVISIONS		DESCRIPTION	DATE
EC	REV	SEE SHEET 1	



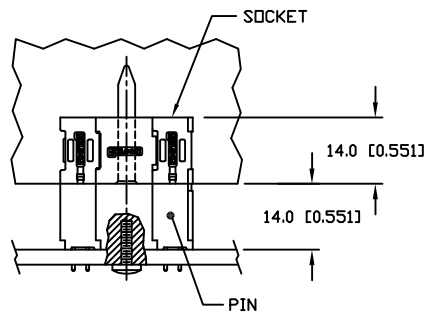
SOLDER PIN DETAIL
SCALE: 10 : 1



SOLDER TERMINATION AREA
SCALE: 40 : 1
RECOMMENDED PRINTED CIRCUIT HOLE
FINISHED HOLE: $\phi 1.02 [0.40] \pm 0.08 [0.003]$
DRILLED HOLE: $\phi 1.15 [0.453] \pm 0.013 [0.0005]$
COPPER PLATE: 0.025 [0.0010] MINIMUM (PER SURFACE)
TIN PLATE: 0.008 [0.0003] MINIMUM (PER SURFACE)



MATED CONDITION



INCH OR MM [INCH] THIRD ANGLE PROJECTION UNLESS OTHERWISE SPECIFIED DIMENSIONS ARE IN METRIC [INCHES] TOLERANCES ANGLES $\pm .5^\circ$ DECIMALS .XX $\pm .25 [0.010]$.X $\pm .5 [0.020]$	DRAWN R. F. A.	DATE 06/10/05	Tyco Electronics Corporation Menlo Park, Ca 94025		
	CHECKED		TITLE		
	APPROVED		USER INFORMATION SOLDER TAIL TERMINATION AND MATED CONDITION		
	APPROVED D. CHAU	01/27/06	SIZE B	DWG NUMBER C = 1766691	REV. C
	DCA APPROVED HA NGUYEN	01/27/06	ACAD FILE NUMBER C1766691C.DWG		DWG SCALE 1=1 SH 3 OF 3