

SCALA NON IMPEGNATIVA  
(DO NOT SCALE)  
DIMENSIONI IN mm  
(DIMENSIONS IN mm)

**METRIC**

PROIEZIONE EUROPEA  
(EUROPEAN PROJECTION)

A

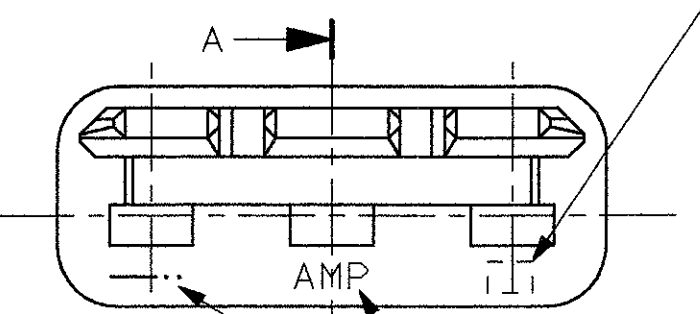
B

C

D

E

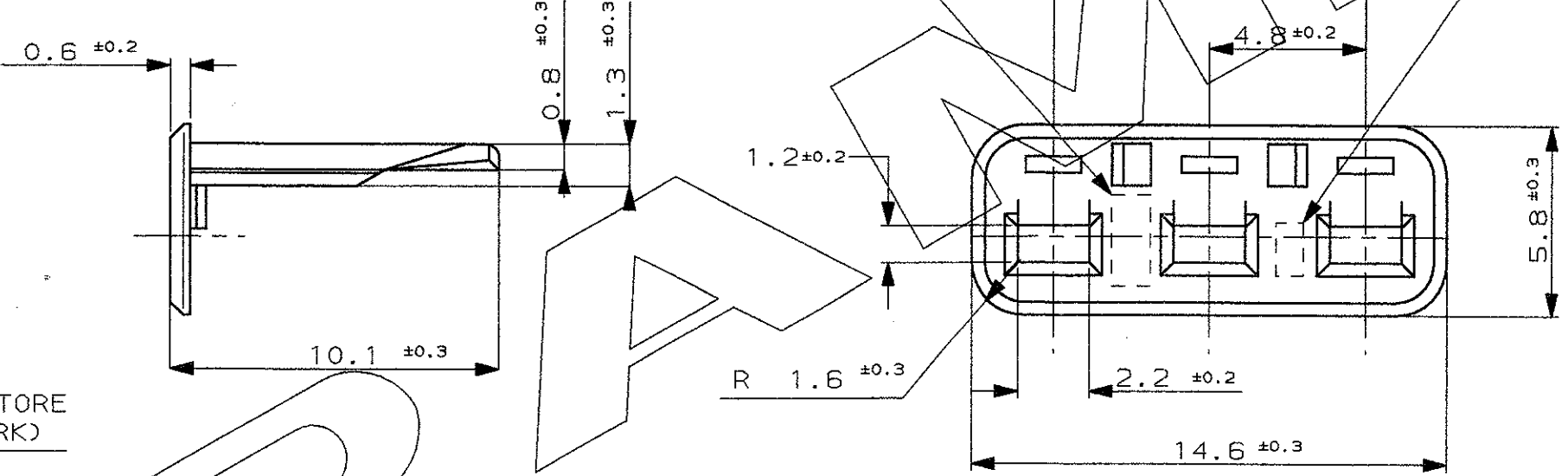
IDENTIFICAZIONE CAVITA' DI STAMPO  
(MOULD CAVITY IDENTIFICATION NUMBER)



MARCHIO PRODUTTORE  
(AMP TRADE MARK)

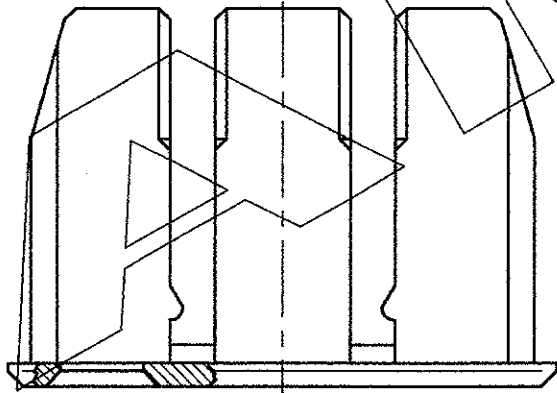
CODICE FORNITORE  
(SUPPLIER CODE)

DATARIO  
(DATE CODE)



1) DA USARE CON BLOCCHETTO 3 VIE P/N 282703-1  
(TO BE MATED WITH PLUG HOUSING ASS'Y P/N 282703-1).

SEZIONE A-A  
(SECTION A-A)



ROSSO (RED)	PBT NATURALE (PBT UNFILLED)	282706-1
-FINITURA / COLORE (FINISH / COLOUR)	MATERIALE (MATERIAL)	NUMERO (PART NUMBER)

CUSTOMER DWG. FOR REFERENCE ONLY  
DISEGNO PER CLIENTE SOLO PER RIFERIMENTO

THIS DRAWING IS UNPUBLISHED		RELEASE FOR PUBLICATION		19
© COPYRIGHT 19 BY AMP INCORPORATED, HARRISBURG, PA. ALL INTERNATIONAL RIGHT RESERVED. AMP PRODUCTS MAY BE COVERED BY U.S. AND FOREIGN PATENT AND/OR PATENT PENDING				
TOLLERANZE, SE NON DIVERSAMENTE SPECIFICATO (TOLERANCES, UNLESS OTHERWISE SPECIFIED)	DIAM. ISOLANTE (INS. DIA. RANGE)	RANGO FILO (WIRE RANGE)	SCALA (SCALE)	
± 0.3	-	-	5:1	
ANGOLI (ANGLES)	AMP AMP ITALIA S.p.A. Corso F.lli Cervi, 15 COLLEGNO (TORINO)			
DIS. 07 JUL 95 (DR.) A. BAJ	DESCRIZIONE (DESCRIPTION) 3 POS. DOUBLE LOCK PLATE FOR PLUG HSG ECONOSEAL J-MKII+ CONN.			

REV.	DIS. DATA (DATE)	DIS. DATA (DATE)	DIS. DATA (DATE)	DIS. DATA (DATE)	DIS. DATA (DATE)	DIS. DATA (DATE)	DIS. DATA (DATE)	DIS. DATA (DATE)	DIS. DATA (DATE)
B	RELEASED FOR PRODUCTION FOR EC ET00-0072-95	A.F.	28 FEB 95	CONT. 07 JUL 95	(CHK)	C. TARTARI			
A	FIRST ISSUE FOR EC ET00-0225-95	A.B.	12-9 95						
REV.	REVISIONI (REVISION RECORD)	DIS. DATA (DATE)	DIS. DATA (DATE)	DIS. DATA (DATE)	DIS. DATA (DATE)	DIS. DATA (DATE)	DIS. DATA (DATE)	DIS. DATA (DATE)	DIS. DATA (DATE)

LOC. SIZE	NUMERO (DWG NO)	REV.	FOGLIO (SHEET)
I A3	C-282706	B	1 OF 1

DISTRIBUZIONE  
(PRINT DIST.)