

DESCRIPTION: MICRO D-SUB CONNECTOR - MALE - RIGHT ANGLE

NOTE:

MATERIAL

INSULATOR
CONTACT

THERMOPLASTIC 94V-0
COPPER ALLOT, NICKEL UNDERPLATE
15u" GOLD MATING AREA
TIN ON SOLDER TAILS
TIN PLATED STEEL

SHELL

ELECTRICAL

RATED CURRENT
D.W.V.
INSULATOR RESISTANCE
CONTACT RESISTANCE

1A
500 VAC 1 MIN
1000 MOhms MIN.
45 mOhms MAX.

ENVIRONMENT

OPERATION TEMPERATURE -55°C TO +85°C

2.5in-lbs torque max for standoffs

381-015-112L5Y5

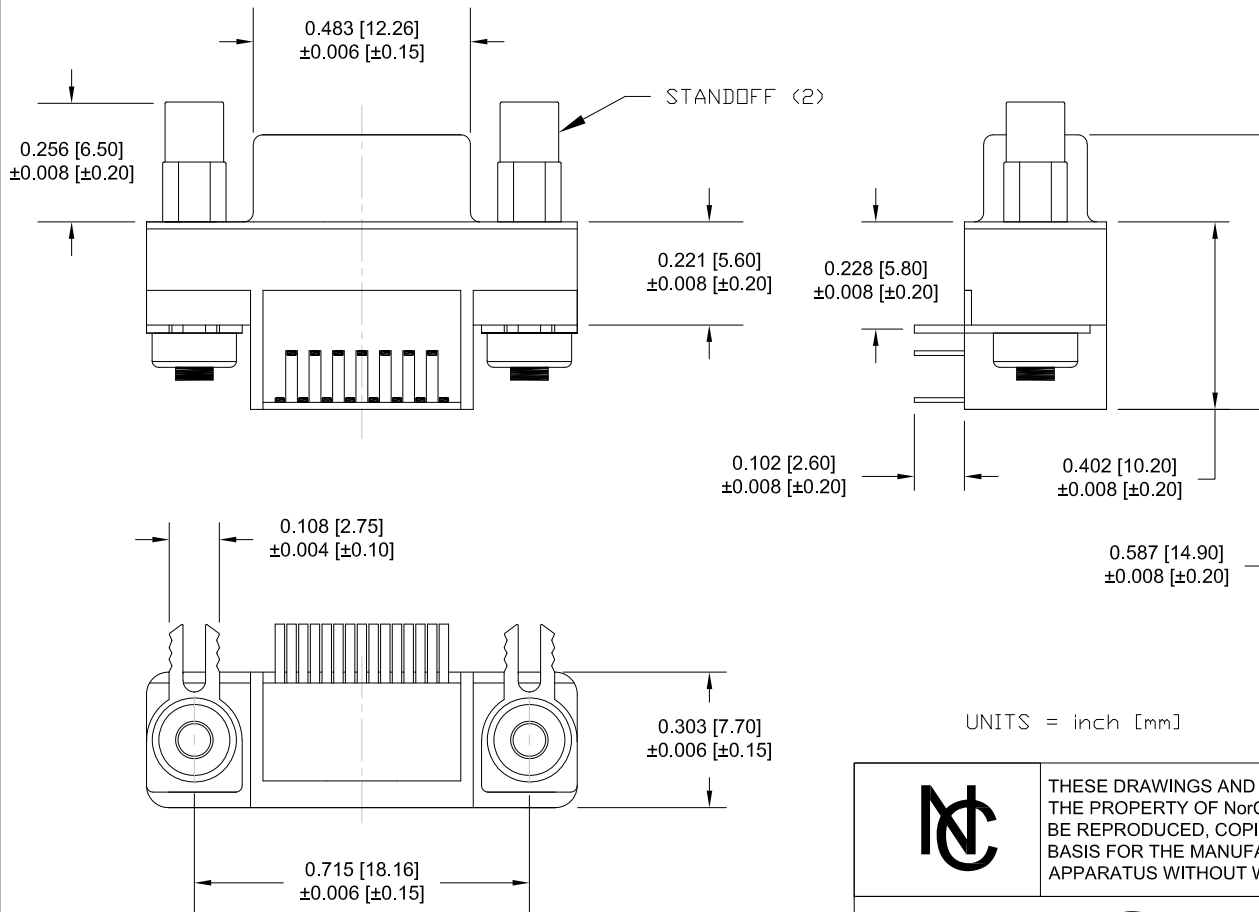
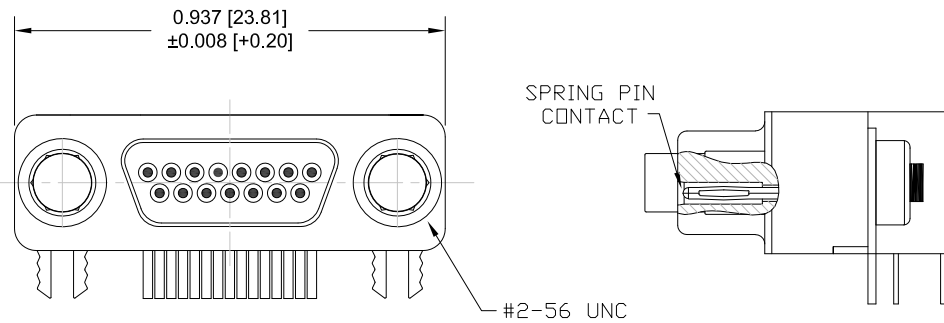
SERIES
POSITIONS
GENDER
1 = MALE
TERMINATION
1 = DIP SOLDER
SHELL PLATING
2 = TIN
RoHS COMPLIANT
HARDWARE OPTIONS
1 = BOARDLOCKS ONLY
6 = STANDOFFS & BOARDLOCKS
PLATING OPTIONS
5 = 15u" GOLD PLATING

NOTE:


**NOT DESIGNED TO MATE WITH NORCOMP 580-M // 581-M SERIES CONNECTORS. IF ANY QUESTIONS PLEASE CONTACT ENG@NORCOMP.NET

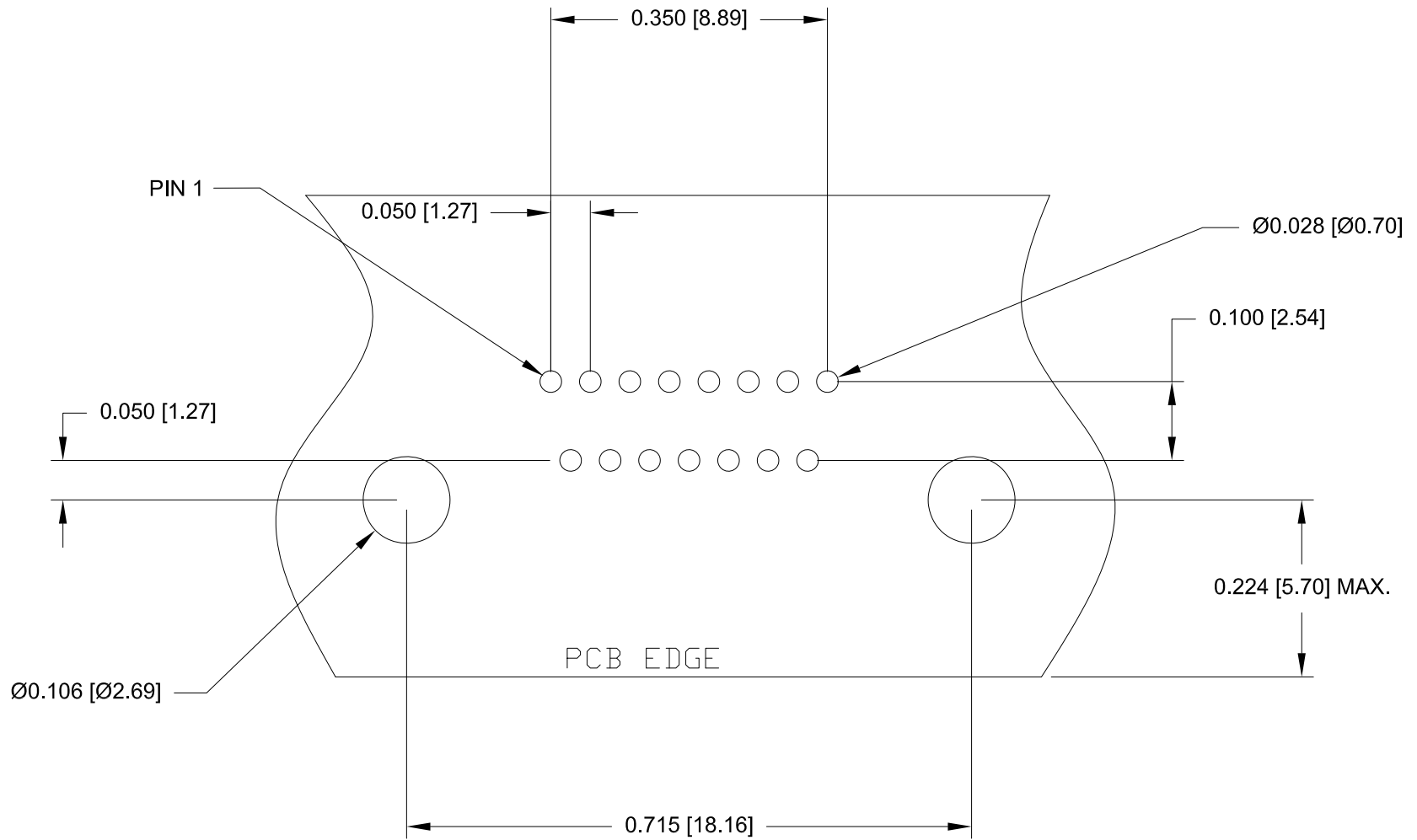
UNITS = inch [mm]

DO NOT SCALE FROM DRAWING



RoHS COMPLIANT



	THESE DRAWINGS AND SPECIFICATIONS ARE THE PROPERTY OF NorComp AND SHALL NOT BE REPRODUCED, COPIED OR USED AS THE BASIS FOR THE MANUFACTURE OF SALE OF APPARATUS WITHOUT WRITTEN PERMISSION.		DRAWN: M. SIGMON	DATE: 08-22-11
	<h1>NorComp</h1>		SCALE: NTS	SHEET 1 OF 2
			DWG NO. 381-015-112L565	



RECOMMENDED PC BOARD LAYOUT
(15 POSITION ONLY) TOLERANCE ±0.002 [±0.05]

UNITS = inch [mm]

DO NOT SCALE FROM DRAWING

	THESE DRAWINGS AND SPECIFICATIONS ARE THE PROPERTY OF NorComp AND SHALL NOT BE REPRODUCED, COPIED OR USED AS THE BASIS FOR THE MANUFACTURE OF SALE OF APPARATUS WITHOUT WRITTEN PERMISSION.		DRAWN: M. SIGMON	DATE: 08-22-11
			SCALE: NTS	SHEET OF 2 2
DWG NO.			381-015-112L565	

RoHS COMPLIANT