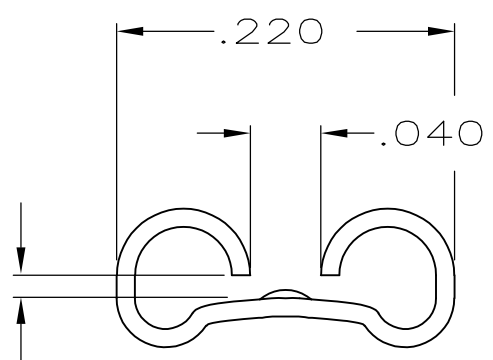
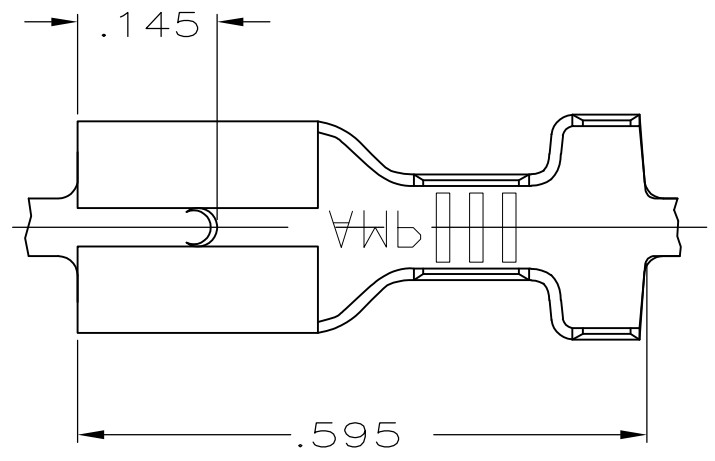


THIS DRAWING IS UNPUBLISHED. RELEASED FOR PUBLICATION  
 © COPYRIGHT - By - ALL RIGHTS RESERVED.

LOC	DIST	REVISIONS					
AF	50	P	LTR	DESCRIPTION	DATE	DWN	APVD
			D2	REVISED PER ECR-15-010442	14JULY2015	PK	TD

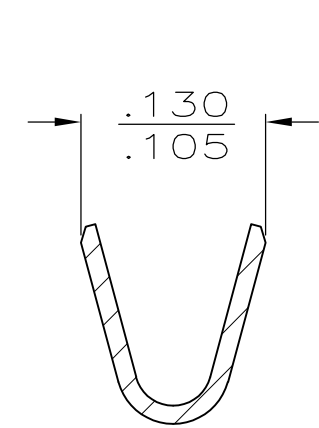
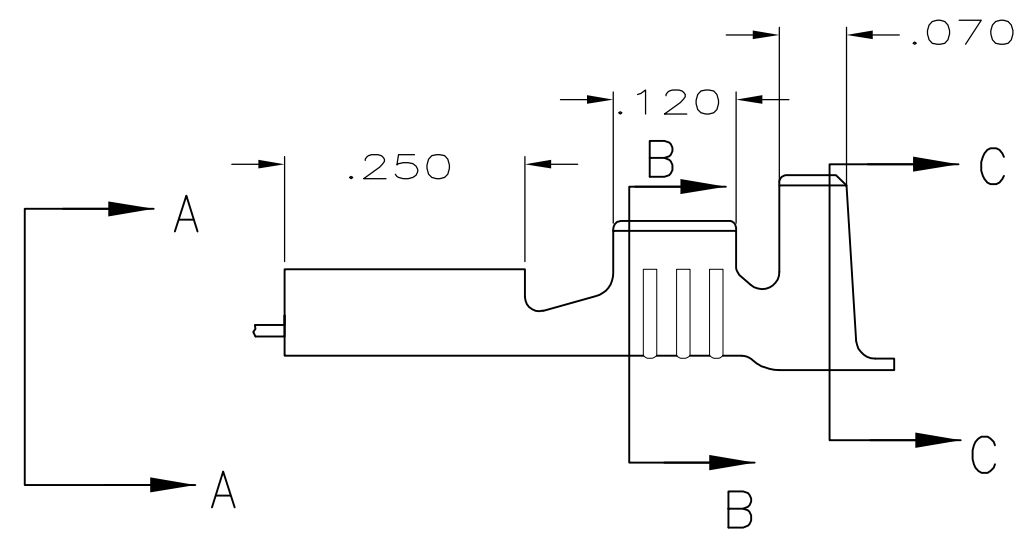
1 CONTINUOUS STRIP ON REELS.

△ 2 63470-2 REFERS TO 63470-1 WITH PAPER INTER LAYER

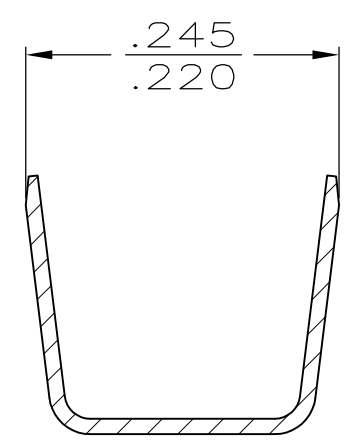


FITS .187 X .020 SERIES FASTON TAB

VIEW A-A



SECTION B-B



SECTION C-C

.105-.210 OR (2).105 MAX	18-16 OR (2) #18	.020	△ 2 63470-2 63470-1
INSULATION RANGE	WIRE SIZE	TAB THK ±.001	PART NO.

THIS DRAWING IS A CONTROLLED DOCUMENT.		DWN	JR RUTH	7/15/87	<b>STE</b> TE Connectivity		
DIMENSIONS: INCHES		CHK	G YETTER	7/16/87			
TOLERANCES UNLESS OTHERWISE SPECIFIED:		APVD	C MEYERS	7/17/87	NAME RECEPTACLE, FASTON,™ .187 SERIES		
0 PLC ± -		PRODUCT SPEC		APPLICATION SPEC		SIZE	A3
1 PLC ± -		-		-		CAGE CODE	00779
2 PLC ± -		-		-		DRAWING NO	C-63470
3 PLC ± .010		-		-		RESTRICTED TO	-
4 PLC ± -		-		-		SCALE	NTS
ANGLES ± -		-		-		SHEET	1 OF 1
FINISH		-		-		REV	D2
MATERIAL BRASS		-		-		CUSTOMER DRAWING	