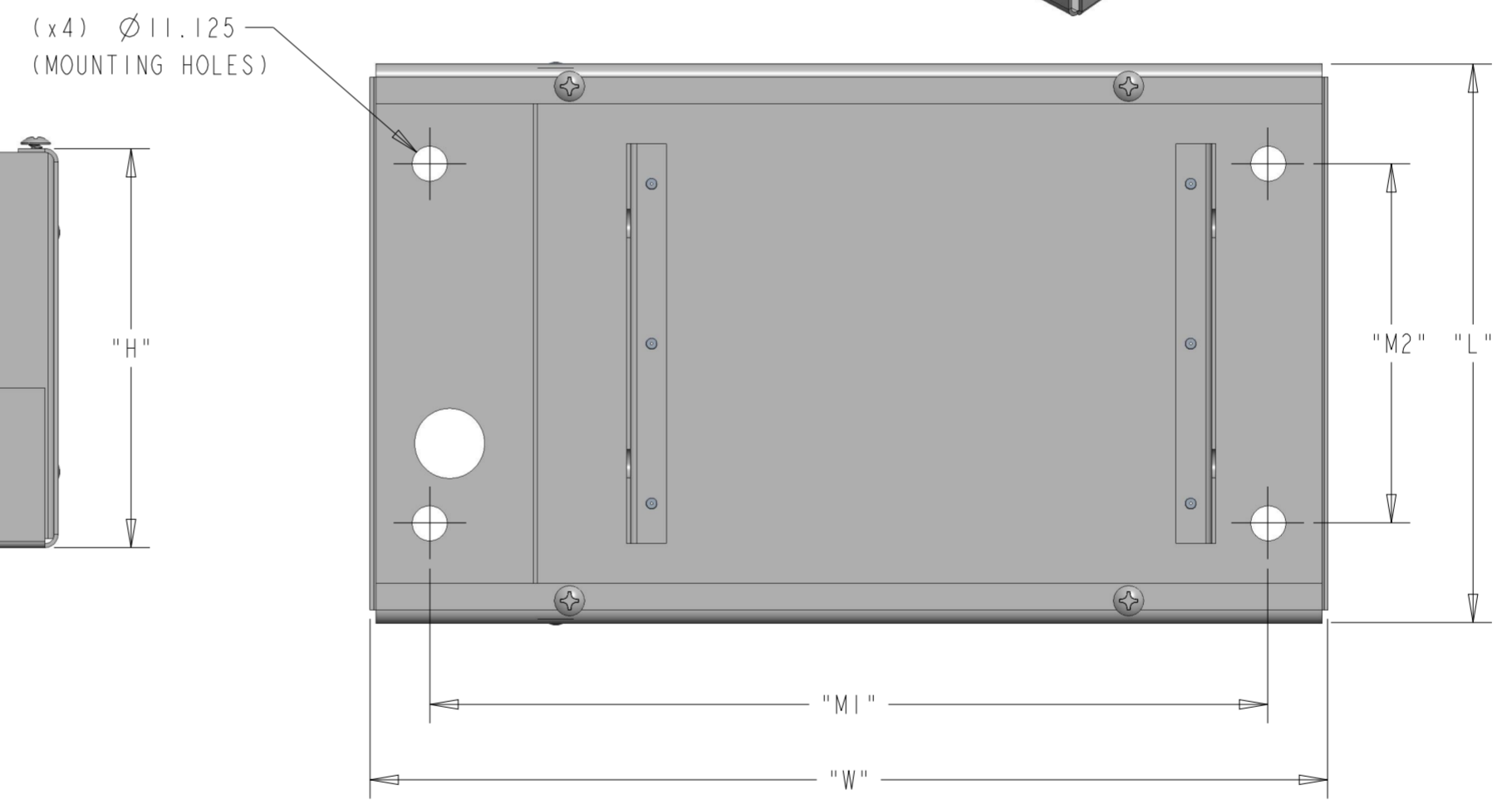
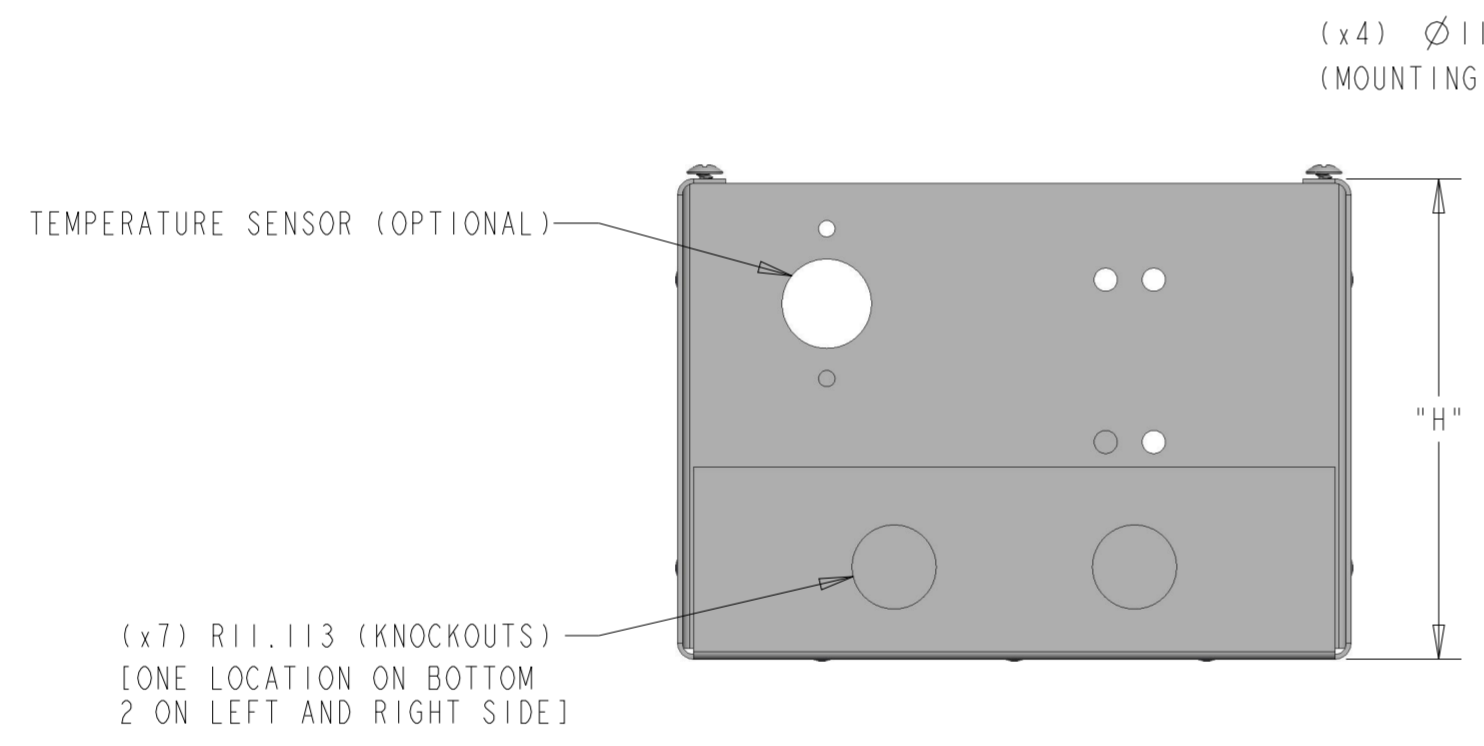
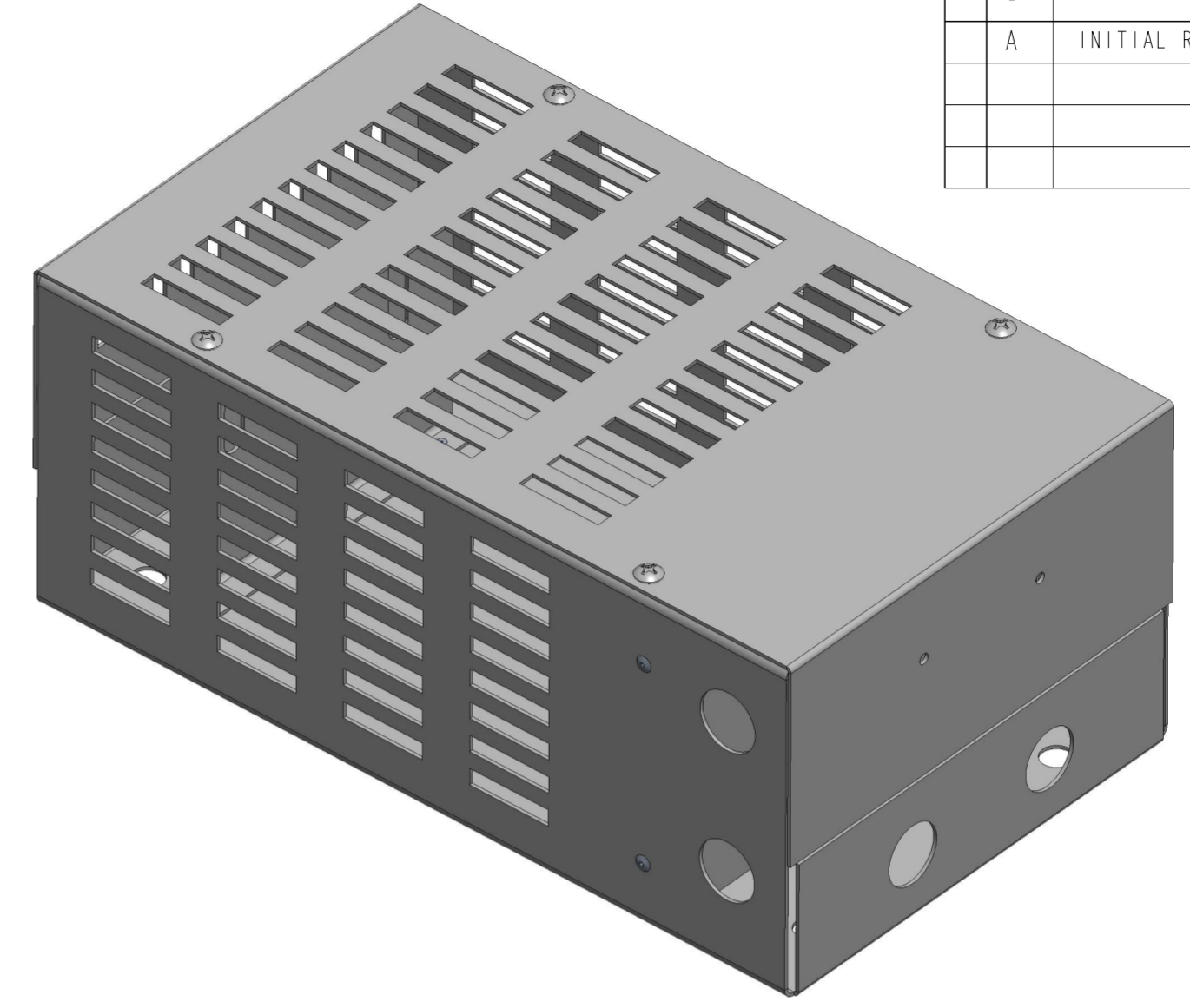
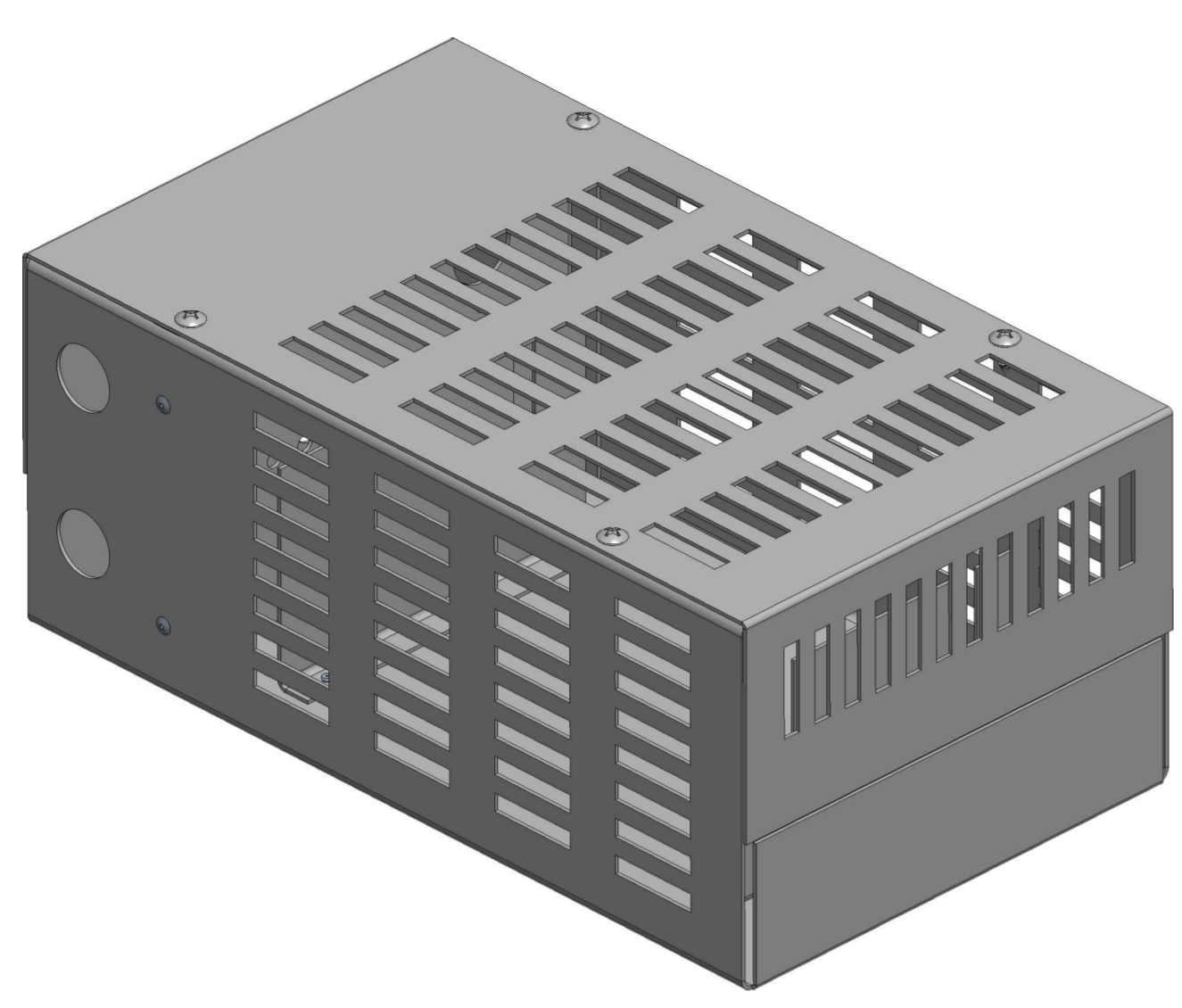


REVISIONS				
P	LTR	DESCRIPTION	DATE	APVD
A		INITIAL RELEASE	07OCT2021	KS AP

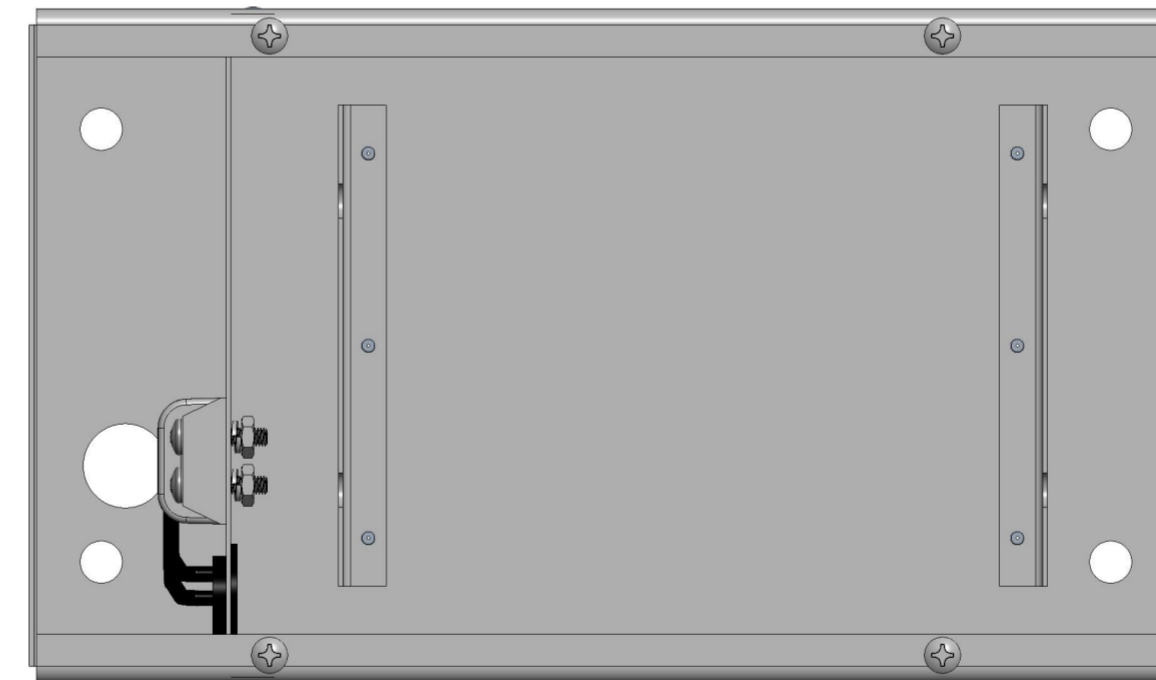
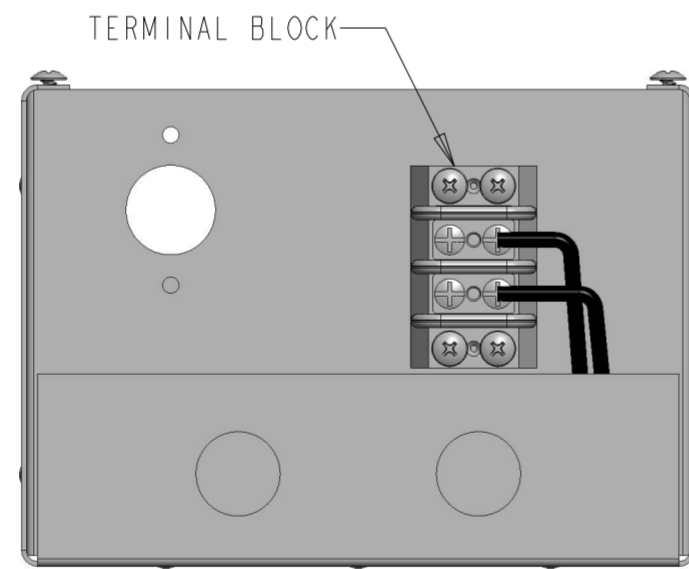
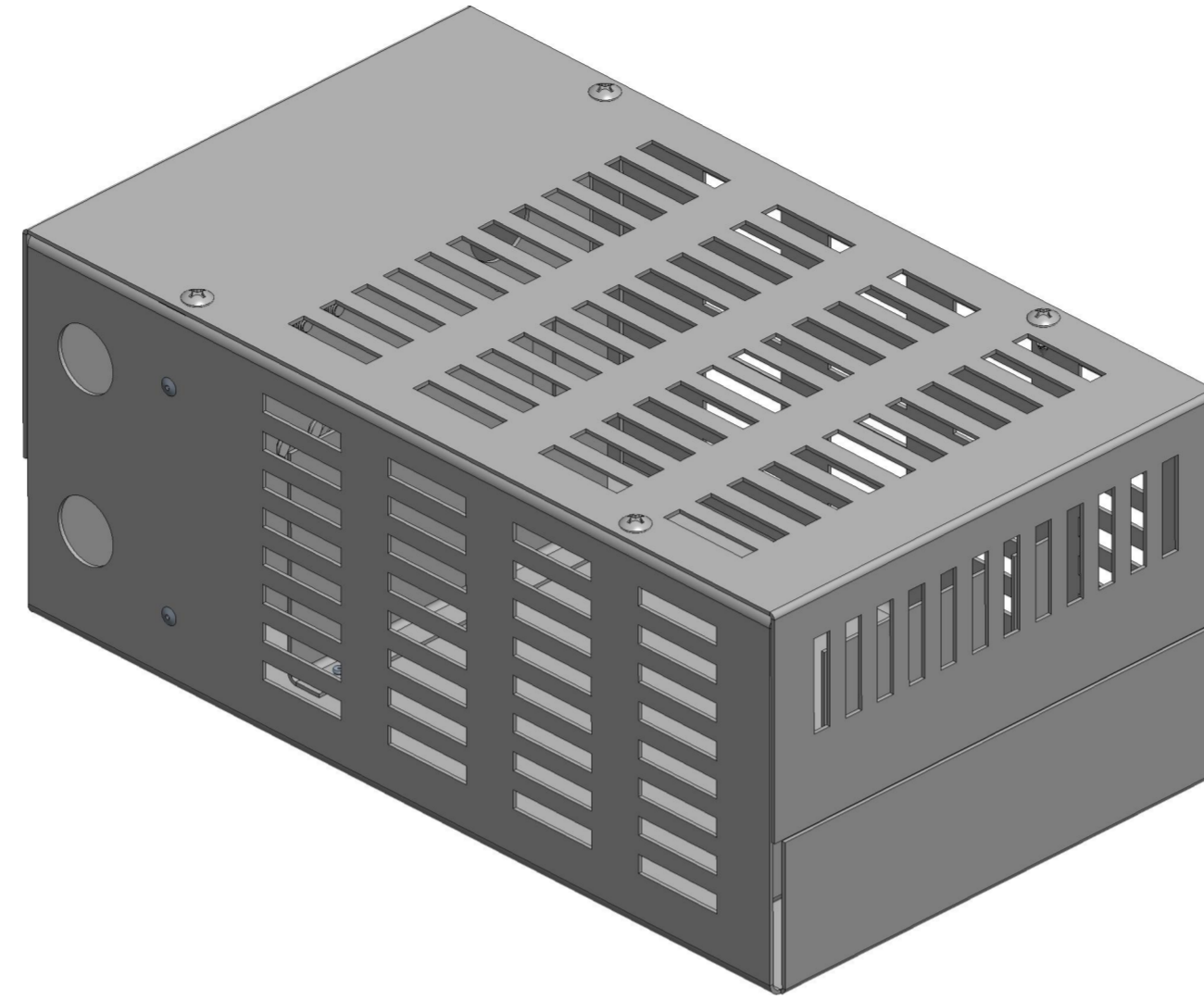



PART NUMBER	W (mm)	L (mm)	H (mm)	M1 (mm)	M2 (mm)	TOTAL RESISTANCE	H.P.	DUTY CYCLE	DRIVE VOLTAGE	BRAKING TORQUE
HPBA007E1K5050E	305	178	127	267	114	1500 Ohms ± 10%	0.75	50%	575 V	100%

NOTE:
1. FOR FURTHER TECHNICAL INFORMATION PLEASE SEE THE DATASHEET FOR THE HPBA SERIES

THIS DRAWING IS A CONTROLLED DOCUMENT.		DWN S. KARTHIK 23-09-2021	TE Connectivity	
DIMENSIONS: mm		CHK ALLAN PILE 23-09-2021		
TOLERANCES UNLESS OTHERWISE SPECIFIED:		APVD ALLAN PILE 23-09-2021	NAME BRAKING RESISTOR ASSEMBLY TYPE HPBA SERIES HPBA007E1K5050E	
0 PLC ± 1 PLC ± 2 PLC ±0.50 3 PLC ±0.500 4 PLC ± ANGLES ± FINISH		PRODUCT SPEC -	SIZE A2	CAGE CODE 00779
MATERIAL		APPLICATION SPEC -	DRAWING NO 4-2176470-2	RESTRICTED TO -
		WEIGHT -	SCALE 1:2 SHEET 1 OF 2 REV A	
		CUSTOMER DRAWING		

P	LTR	DESCRIPTION	DATE	DWN	APVD
		SEE SHEET 1			



THIS DRAWING IS A CONTROLLED DOCUMENT.		DWN S. KARTHIK 23-09-2021	 TE Connectivity	
DIMENSIONS: mm		CHK ALLAN PILE 23-09-2021		
TOLERANCES UNLESS OTHERWISE SPECIFIED:		APVD ALLAN PILE 23-09-2021	NAME BRAKING RESISTOR ASSEMBLY TYPE HPBA SERIES HPBA007E1K5050E	
0 PLC ± 1 PLC ± 2 PLC ±0.50 3 PLC ±0.500 4 PLC ± ANGLES ± FINISH -		PRODUCT SPEC -	SIZE A2	CAGE CODE 00779
MATERIAL -		APPLICATION SPEC -	DRAWING NO C-4-2176470-2	RESTRICTED TO -
		WEIGHT -	SCALE 1:2 SHEET 2 OF 2 REV A	
		CUSTOMER DRAWING		