



40.5 dB Gain, 34 dBm IP3, 0.9 dB NF, 20 dBm Psat,  
 10 MHz to 600 MHz, Low Noise Amplifier, SMA

## TECHNICAL DATA SHEET

PE15A1063

The PE15A1063 is a low noise coaxial amplifier operating in the 10 MHz to 600 MHz frequency range. Impressive broadband typical performance includes 0.9 dB noise figure, 40.5 dB small signal gain, +19 dBm P1dB, and an output 3rd order intercept point of +34 dBm. This exceptional technical performance is achieved through the use of a hybrid MIC design and advanced E-pHEMT devices. The low noise amplifier requires a +12V DC power supply, and operates over a temperature range of -40°C to +85°C. The rugged and compact package supports SMA Female connectors and RFI and Ground pins. And for highly reliable operation, the model is guaranteed to meet MIL-STD-202 environmental test conditions for Humidity, Shock, Vibration, and Altitude.

### Features

- 10 MHz to 600 MHz Frequency Range
- Low Noise Figure: 0.9 dB
- High Dynamic Range
- Efficient GaAs pHEMT Design
- Small Signal Gain: 40.5 dB
- Output P1dB: +19 dBm
- Output IP3: +34 dBm
- Operating Temperature: -40°C to +85°C
- 50 Ohm Input and Output Matched
- DC Power Supply: +12V / 140 mA
- SMA Female Connectors
- Designed to meet MIL-STD-202 Test Conditions

### Applications

- Test & Measurement
- R&D Labs
- General Purpose Amplification
- Aerospace & Defense
- Wireless Infrastructure
- Communication Systems

### Electrical Specifications (TA = +25°C, DC Voltage = 12Vdc, DC Current = 140mA)

Description	Minimum	Typical	Maximum	Units
Frequency Range	10		600	MHz
Small Signal Gain	38.5	40.5		dB
Gain Flatness		±0.8	±1.2	dB
Gain Variation Over Temperature		0.02		dB/°C
Output at 1 dB Compression Point	+19	+19		dBm
Saturated Output Power (Psat)	+18	+20		dBm
Output 3rd Intercept Point	+31	+34		dBm
Noise Figure		0.9	1.1	dB
Input VSWR		1.6:1	2:1	
Output VSWR		1.3:1	2:1	
Reverse Isolation		-55		dB
Operating DC Voltage	9	12	15	Volts
Operating DC Current		140	160	mA
Operating Temperature Range	-40		+85	°C

Click the following link (or enter part number in "SEARCH" on website) to obtain additional part information including price, inventory and certifications: [40.5 dB Gain, 34 dBm IP3, 0.9 dB NF, 20 dBm Psat, 10 MHz to 600 MHz, Low Noise Amplifier, SMA PE15A1063](#)



40.5 dB Gain, 34 dBm IP3, 0.9 dB NF, 20 dBm Psat,  
10 MHz to 600 MHz, Low Noise Amplifier, SMA

## TECHNICAL DATA SHEET

PE15A1063

### Absolute Maximum Rating

Parameter	Rating	Units
Supply Voltage	+20	V
RF Input Power	+15	dBm
Operating Temperature	-40 to +85	°C
Storage Temperature	-55 to +125	°C



ESD Sensitive Material,  
Transport material in  
Approved ESD bags.  
Handle only in approved  
ESD Workstation.

### Mechanical Specifications

#### Size

Length	1.79 in [45.47 mm]
Width	1.1 in [27.94 mm]
Height	0.45 in [11.43 mm]
Input Connector	SMA Female
Output Connector	SMA Female

### Environmental Specifications

#### Temperature

Operating Range	-40 to +85 deg C
Storage Range	-55 to +125 deg C

Humidity	MIL-STD-202F, Method 103B, Condition B
Shock	MIL-STD-202F, Method 213B, Condition B
Vibration	MIL-STD-202F, Method 204D, Condition B
Altitude	MIL-STD-202F, Method 105C, Condition B

**Compliance Certifications** (see [product page](#) for current document)

### Plotted and Other Data

Notes:

- Values at +25 °C, sea level
- ESD Sensitive Material, Transport material in Approved ESD bags. Handle only in approved ESD Workstation.

Click the following link (or enter part number in "SEARCH" on website) to obtain additional part information including price, inventory and certifications: [40.5 dB Gain, 34 dBm IP3, 0.9 dB NF, 20 dBm Psat, 10 MHz to 600 MHz, Low Noise Amplifier, SMA PE15A1063](#)

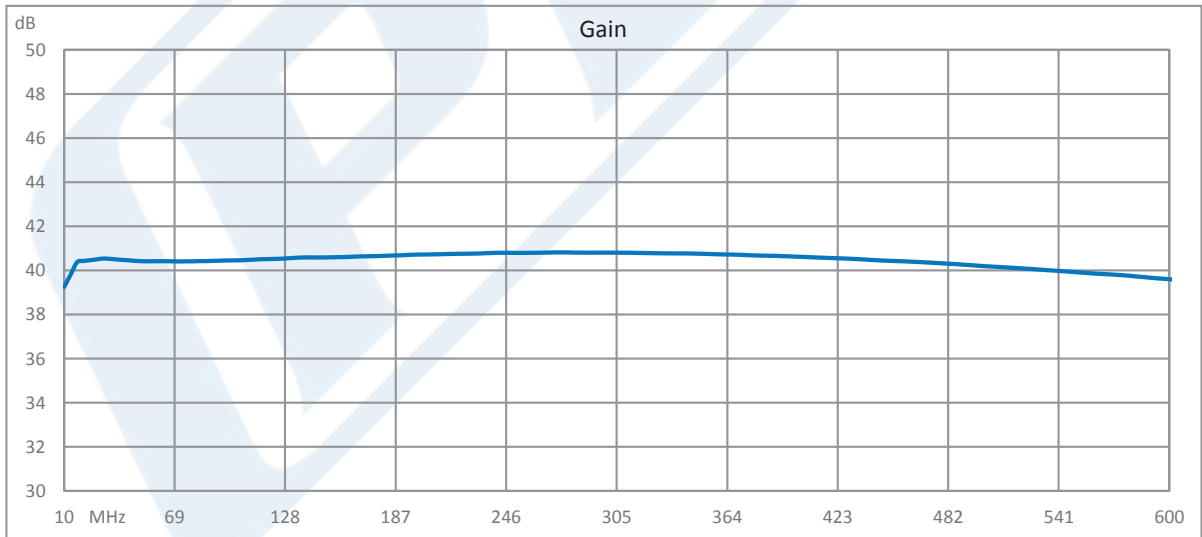
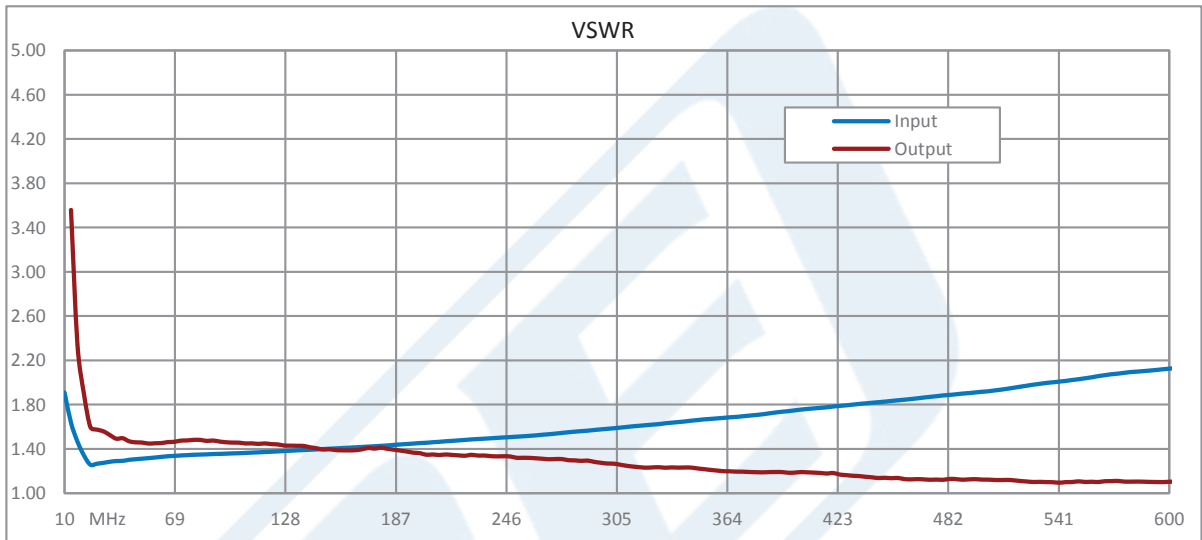


40.5 dB Gain, 34 dBm IP3, 0.9 dB NF, 20 dBm Psat,  
10 MHz to 600 MHz, Low Noise Amplifier, SMA

TECHNICAL DATA SHEET

PE15A1063

Typical Performance Data



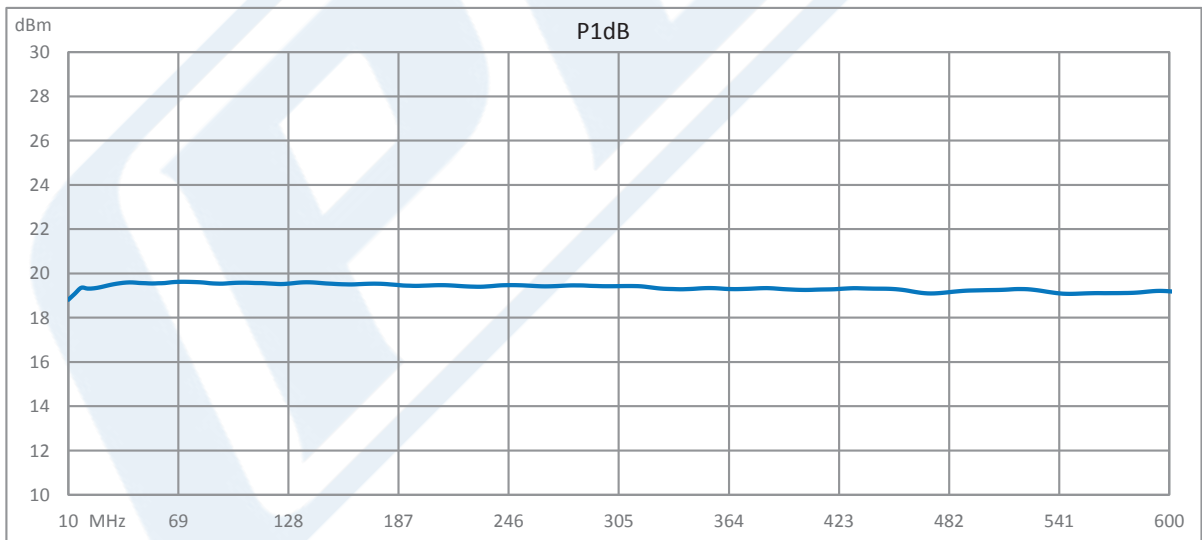
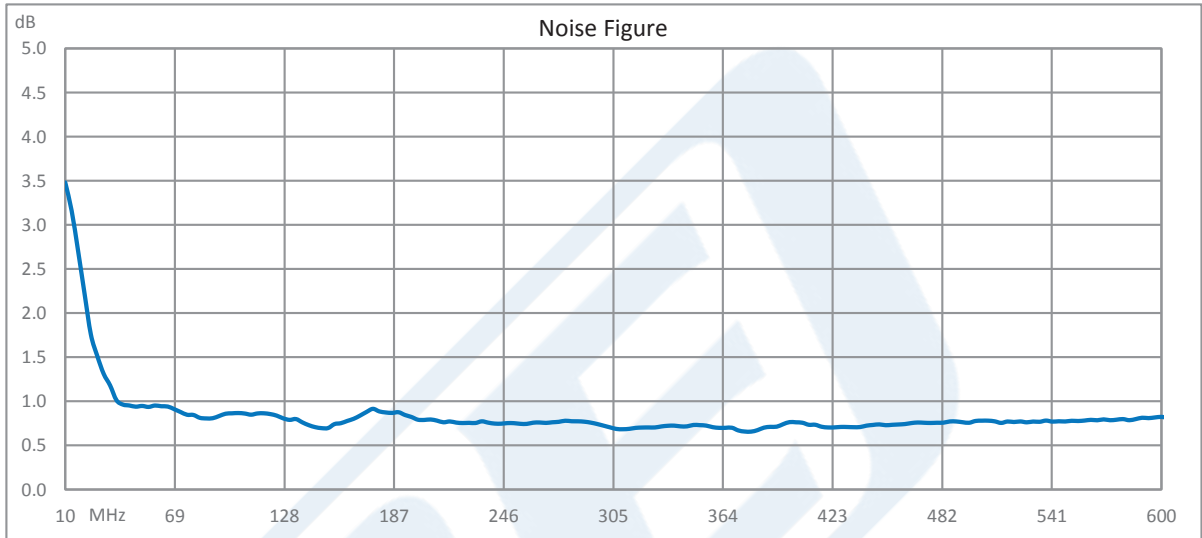
Click the following link (or enter part number in "SEARCH" on website) to obtain additional part information including price, inventory and certifications: [40.5 dB Gain, 34 dBm IP3, 0.9 dB NF, 20 dBm Psat, 10 MHz to 600 MHz, Low Noise Amplifier, SMA PE15A1063](#)



40.5 dB Gain, 34 dBm IP3, 0.9 dB NF, 20 dBm Psat,  
10 MHz to 600 MHz, Low Noise Amplifier, SMA

TECHNICAL DATA SHEET

PE15A1063

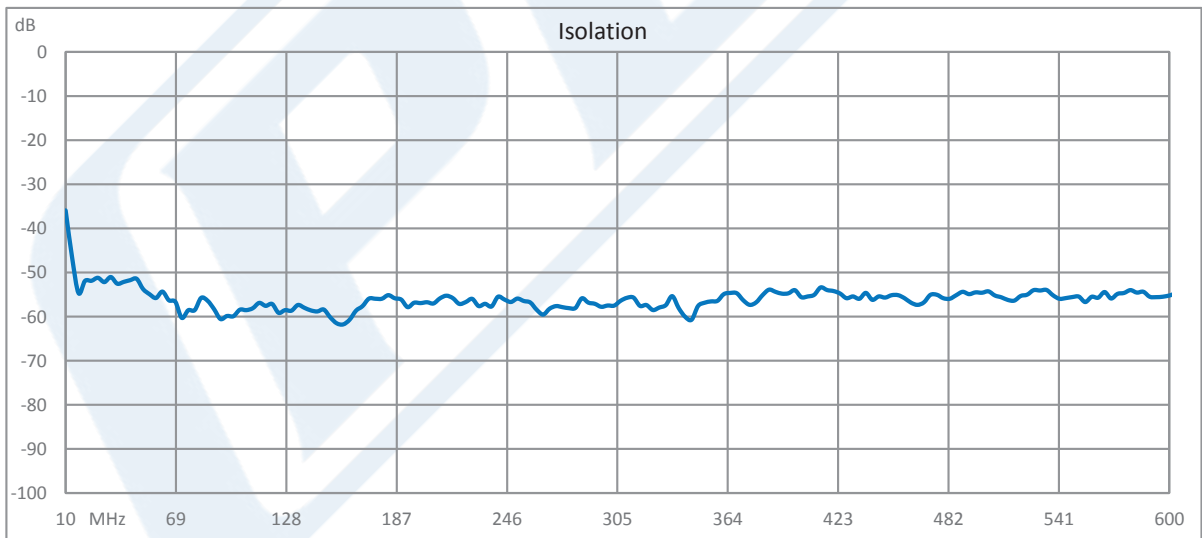
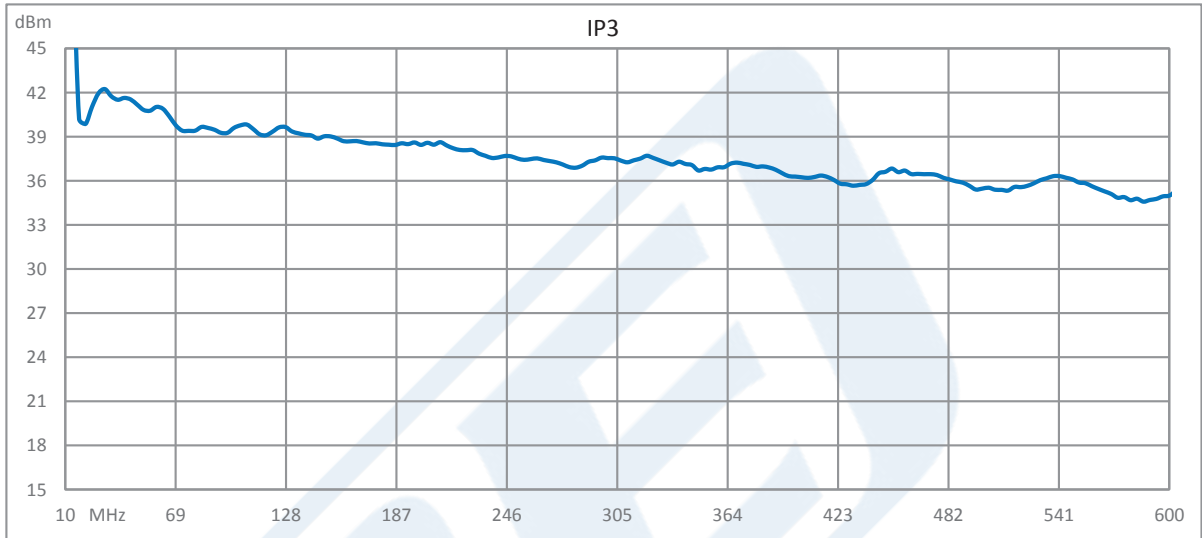


Click the following link (or enter part number in "SEARCH" on website) to obtain additional part information including price, inventory and certifications: [40.5 dB Gain, 34 dBm IP3, 0.9 dB NF, 20 dBm Psat, 10 MHz to 600 MHz, Low Noise Amplifier, SMA PE15A1063](#)



40.5 dB Gain, 34 dBm IP3, 0.9 dB NF, 20 dBm Psat,  
10 MHz to 600 MHz, Low Noise Amplifier, SMA

TECHNICAL DATA SHEET PE15A1063



Click the following link (or enter part number in "SEARCH" on website) to obtain additional part information including price, inventory and certifications: [40.5 dB Gain, 34 dBm IP3, 0.9 dB NF, 20 dBm Psat, 10 MHz to 600 MHz, Low Noise Amplifier, SMA PE15A1063](#)



40.5 dB Gain, 34 dBm IP3, 0.9 dB NF, 20 dBm Psat,  
10 MHz to 600 MHz, Low Noise Amplifier, SMA

## TECHNICAL DATA SHEET

PE15A1063

40.5 dB Gain, 34 dBm IP3, 0.9 dB NF, 20 dBm Psat, 10 MHz to 600 MHz, Low Noise Amplifier, SMA from Pasternack Enterprises has same day shipment for domestic and International orders. Our RF, microwave and millimeter wave products maintain a 99.4% availability and are part of the broadest selection in the industry.

Click the following link (or enter part number in "SEARCH" on website) to obtain additional part information including price, inventory and certifications: [40.5 dB Gain, 34 dBm IP3, 0.9 dB NF, 20 dBm Psat, 10 MHz to 600 MHz, Low Noise Amplifier, SMA PE15A1063](https://www.pasternack.com/40.5-dB-Gain,-34-dBm-IP3,-0.9-dB-NF,-20-dBm-Psat,-10-MHz-to-600-MHz,-Low-Noise-Amplifier,-SMA-PE15A1063)

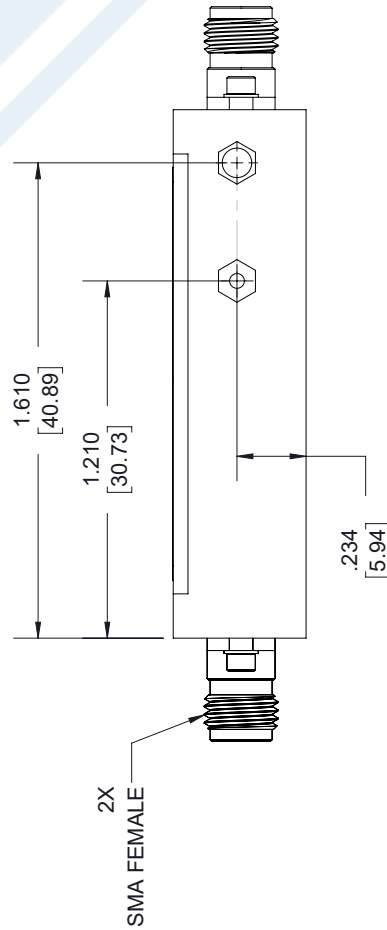
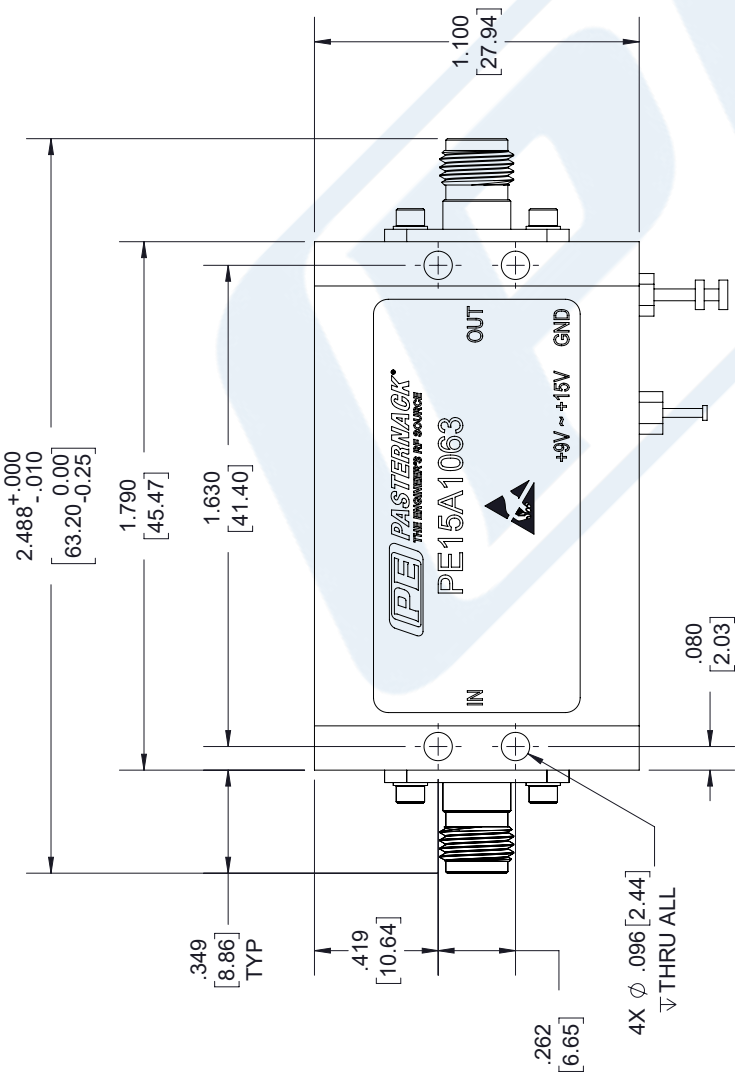
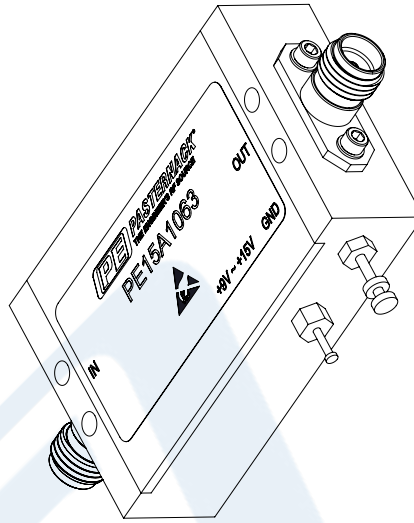
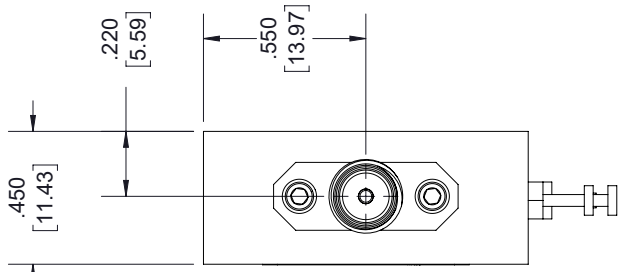
URL: <https://www.pasternack.com/40.5-dB-Gain,-0.9-dB-600-MHz-Low-Noise-Amplifier-SMA-PE15A1063-p.aspx>

The information contained in this document is accurate to the best of our knowledge and representative of the part described herein. It may be necessary to make modifications to the part and/or the documentation of the part, in order to implement improvements. Pasternack reserves the right to make such changes as required. Unless otherwise stated, all specifications are nominal. Pasternack does not make any representation or warranty regarding the suitability of the part described herein for any particular purpose, and Pasternack does not assume any liability arising out of the use of any part or documentation.

# PE15A1063 CAD Drawing

40.5 dB Gain, 34 dBm IP3, 0.9 dB NF, 20 dBm Psat,  
10 MHz to 600 MHz, Low Noise Amplifier, SMA

REVISIONS			
REV.	DESCRIPTION	DATE	APPROVED
1.1	PCR PE15A1063 20190325	03/25/19	T. GALLA



UNLESS OTHERWISE SPECIFIED  
LEADING DIMENSIONS ARE INCHES  
DIMENSIONS IN [ ] ARE MILLIMETERS

TOLERANCES:  
X±.2 [5.08] FRACTIONS  
XX±.01 [0.25] ±.132  
XXX±.005 [0.13] ANGLES ± 1°

ALL DIMENSIONS SHOWN  
ARE FOR REFERENCE ONLY.

THIRD-ANGLE PROJECTION

**PE PASTERNAK**  
an INFINITO brand

Pasternack Enterprises, Inc.  
P.O. Box 16759, Irvine, CA 92623.  
Phone: 1.949.261.1920 | 1.866.727.8376  
Fax: 1.949.261.7451  
www.pasternack.com | e-mail: sales@pasternack.com

SIZE [CAGE] DRAWN BY PART NUMBER REV  
A 53919 K.DANG PE15A1063 A

THE INFORMATION AND  
DESIGN IN THIS DOCUMENT  
IS THE PROPERTY OF  
PASTERNAK CORPORATION.  
ALL RIGHTS RESERVED.

SHEET 1 OF 1  
SCALE N/A

THESE COMMODITIES, TECHNOLOGY OR SOFTWARE WERE EXPORTED FROM THE UNITED STATES IN ACCORDANCE WITH THE EXPORT  
ADMINISTRATION REGULATIONS. DIVERSION CONTRARY TO U.S. LAW PROHIBITED.